



Excellence from Design to Installation

1-888-975-3343

Install Instructions

Ground Sleeve Rugby Goal Posts

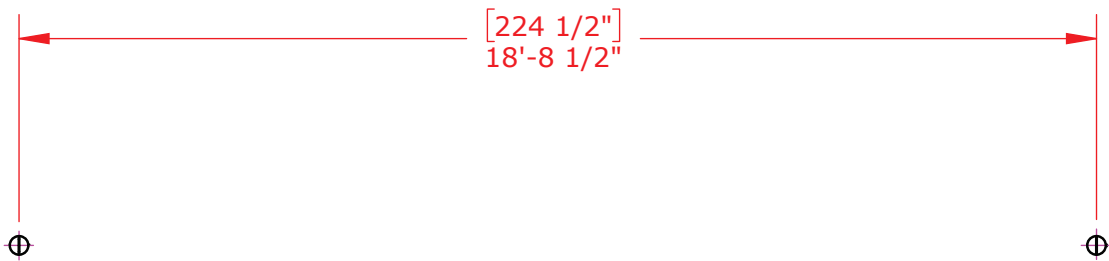
Product No.	Product Description
RG32	Rugby Goal, 32'H Upright, Powder Coated White
RG44	Rugby Goal, 44'H Upright, Powder Coated White

Rugby Goal Field Placement.....	ID-00132
Ground Sleeve Rugby Goal Elevation without Access Frame.....	ID-00131
AFIT4/AFIT4HD/AFIT4NG/AFIT4NGHD Access Frame.....	ID-00144
Upright Splice Connection.....	ID-00136
Rugby Goal Assembly.....	ID-00134

Check project specific drawings to determine field locations.

Step 1

Locate center of the each upright pole in the field.



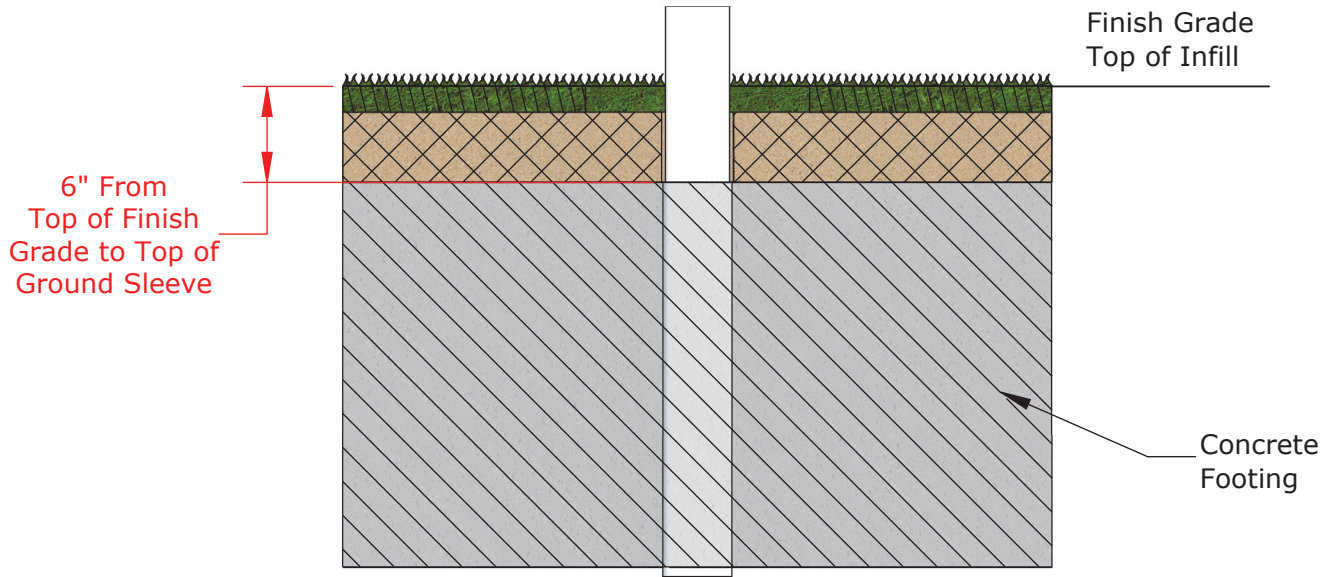
TITLE:

Rugby Goal Field
Placement

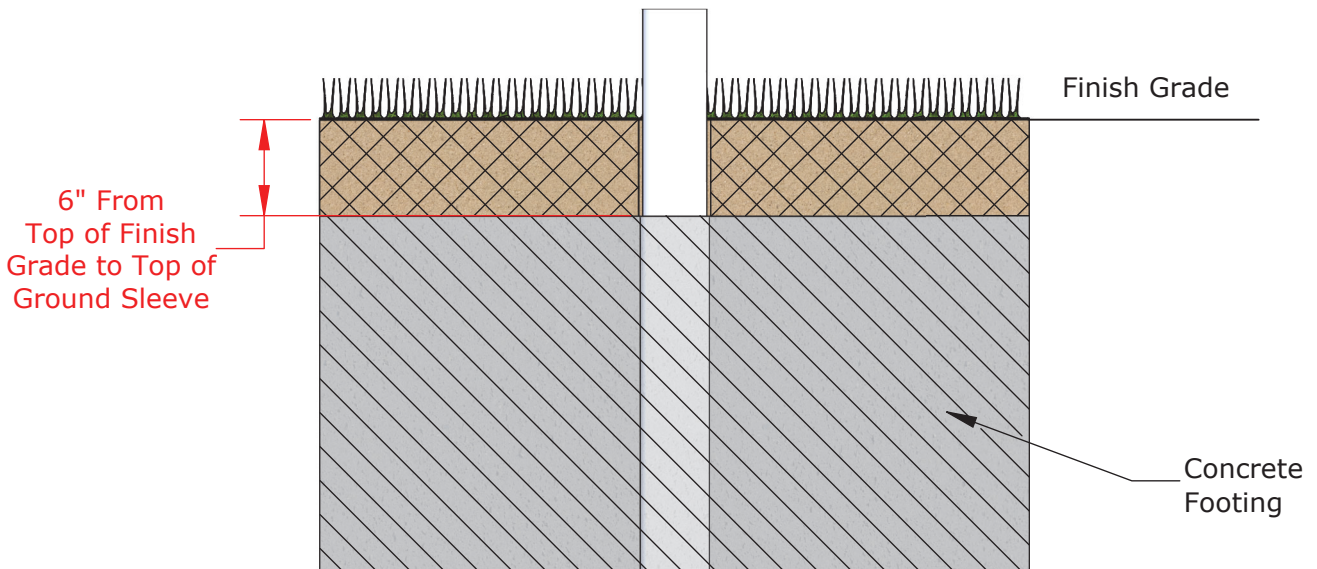
DWG NO:

ID-00132

SHEET 1 OF 1



Synthetic Infill Turf Application



Natural Grass Application

TITLE: Ground Sleeve Rugby Goal Elevation without Access Frame

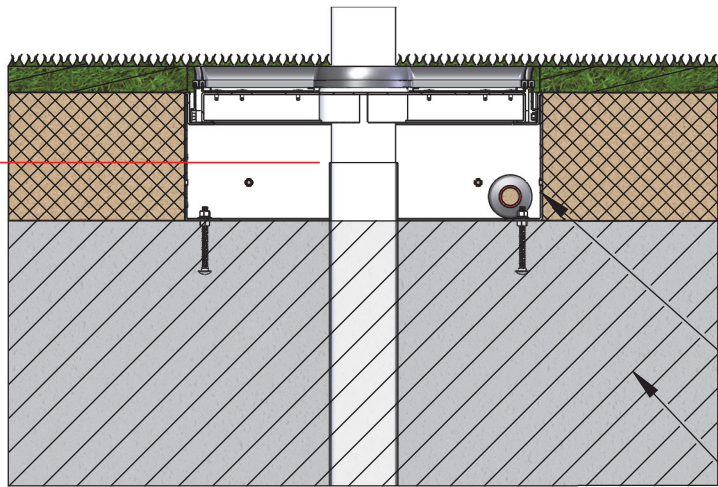
DWG NO:

ID-00131

SHEET 1 OF 2

6" From
Top of Finish
Grade to Top of
Ground Sleeve

3 5/8" From
Top of Concrete
Footing to Top
of Ground Sleeve



Finish Grade
Top of Infill

9 5/8"

8"
Subgrade

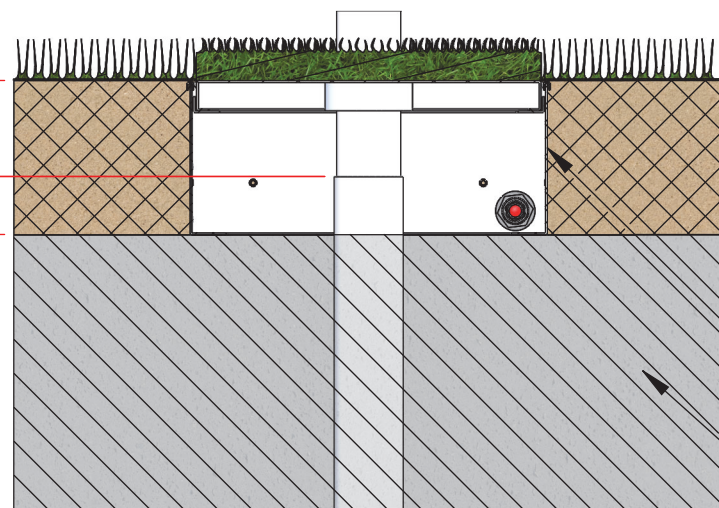
AFIT4 Access
Frame

Concrete
Footing

Synthetic Infill Turf Application

6" From
Top of Finish
Grade to Top of
Ground Sleeve

3 5/8" From
Top of Concrete
Footing to Top
of Ground Sleeve



Finish Grade

9 5/8"
Subgrade

AFNG4 Access
Frame

Concrete
Footing

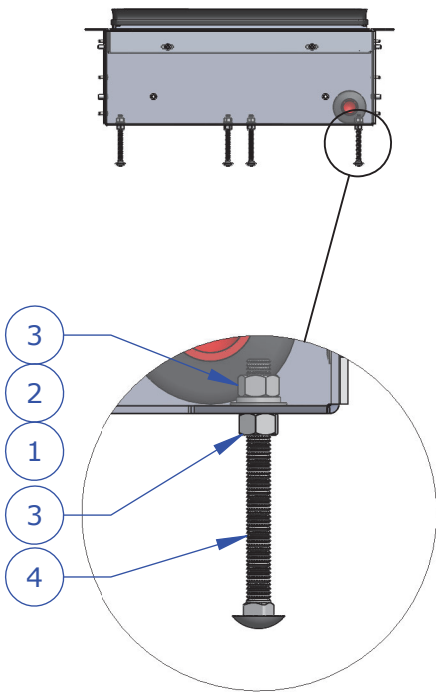
Natural Grass Application

TITLE:
**Ground Sleeve Rugby Goal Elevation
with Optional Access Frame**

DWG NO:
ID-00131

SHEET 2 OF 2

Access Frame Installation



Step 1

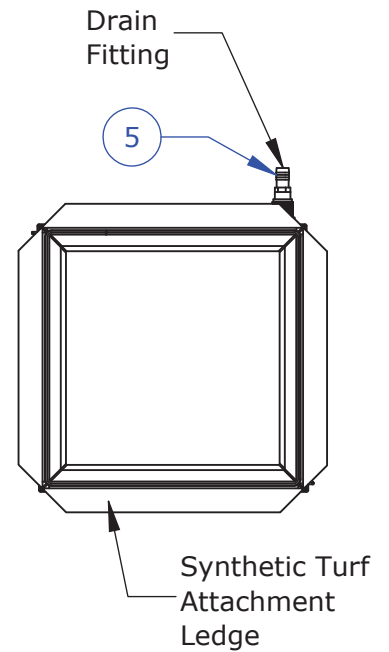
Pre-install the four (4) carriage bolts (Item #4) into the bottom flange of the access frame box with the heads down for anchoring into concrete.

Step 2

The box should be installed parallel to the goal line. The drain fitting (Item #5) should face toward the nearest drainage system. If applicable, attach a 1" drain line to the end and connect it to the subsurface drainage system (designed and installed by others).

Step 3

Center the access frame around the ground sleeve or base plate and install by pushing the anchor bolts down into the wet concrete. The bottom face of the flange should be flush with the concrete surface. (See associated rugby goal elevation detail drawings).



Step 4

The synthetic infill turf can be cut and secured to the provided infill turf attachment ledge. Synthetic turf and attachment method provided by others.

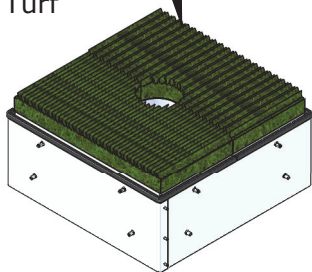
Step 5

Allow concrete to cure before installing rugby goal post.

ITEM NO.	QTY.	SAP Part Number	DESCRIPTION
1	4	110-FLW-0005	3/8 S.S. FLAT WASHER
2	4	110-SLW-0006	3/8-16 S. S. Lock Washer
3	8	107-HXN-0020	3/8-16 STAINLESS STEEL HEX NUT
4	4	101-CAB-0004	3/8-16 x 4.00" L, Carriage Bolt, SS
5	1	PURCHP-0158	Adapter, Male

AFNG4/AFNG4HD No Preparation Required

Factory
Pre-installed
Turf

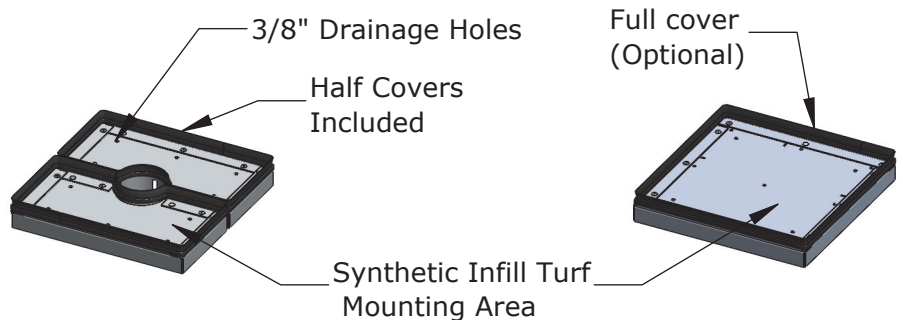


AFNG4/AFNG4HD
Natural Grass Application

AFIT4/AFIT4HD Covers

Step 1

The synthetic infill turf can be cut and secured to the provided covers. Synthetic turf and attachment method provided by others.



TITLE:
AFIT4/AFIT4HD/AFNG4/AFNG4HD
Access Frame

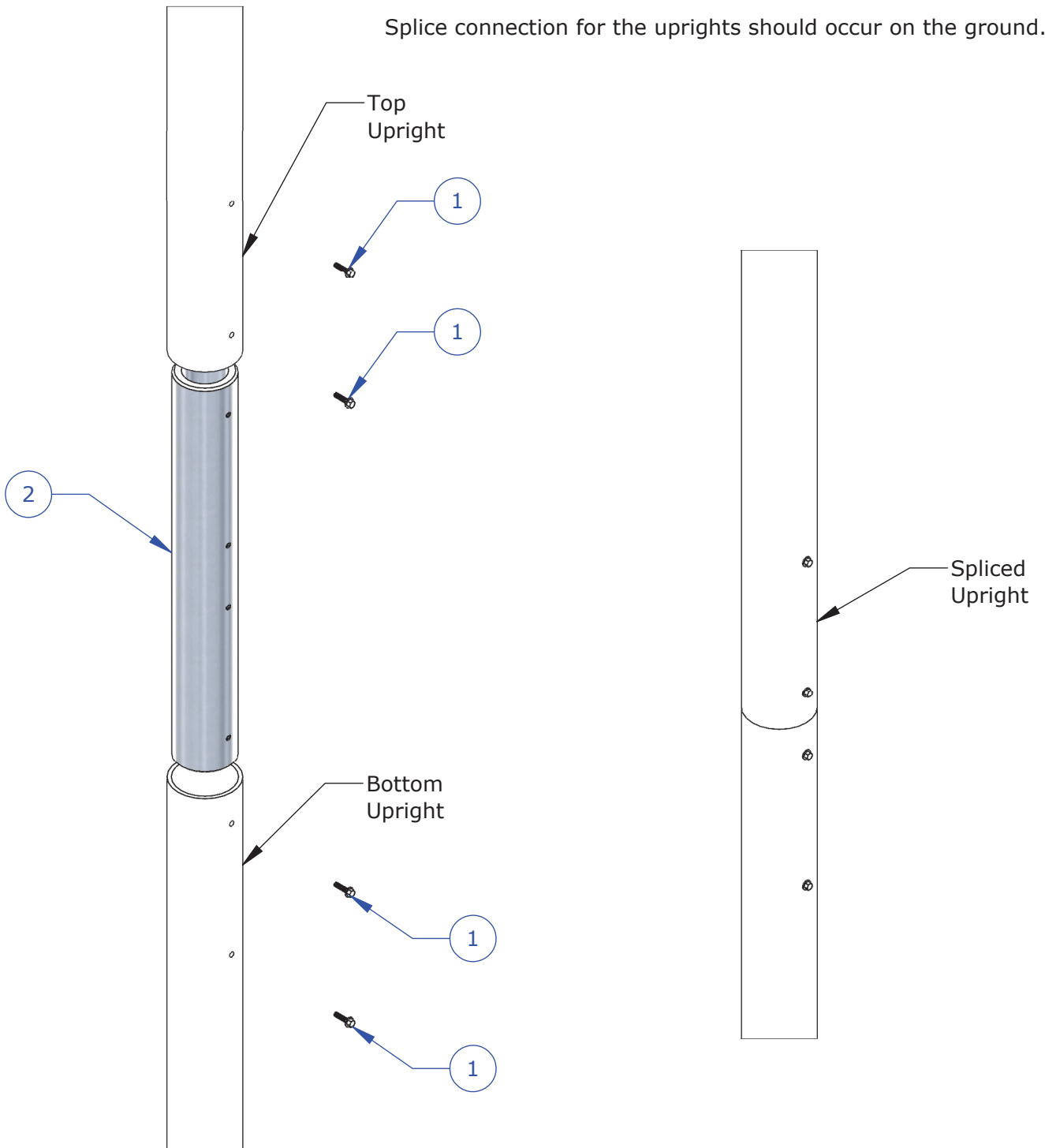
DWG NO:

ID-00144

SHEET 1 OF 1

NOTE: Applicable to 44'H Rugby Goals only.

Splice connection for the uprights should occur on the ground.



ITEM NO.	QTY.	SAP Part Number	DESCRIPTION
1	8	100-HWH-0001	1/4-20 x 1" Hex Washer Head with serrated flange, Grade 5, Fully Threaded
2	2	Undefined	Rugby Goal Splice Tube

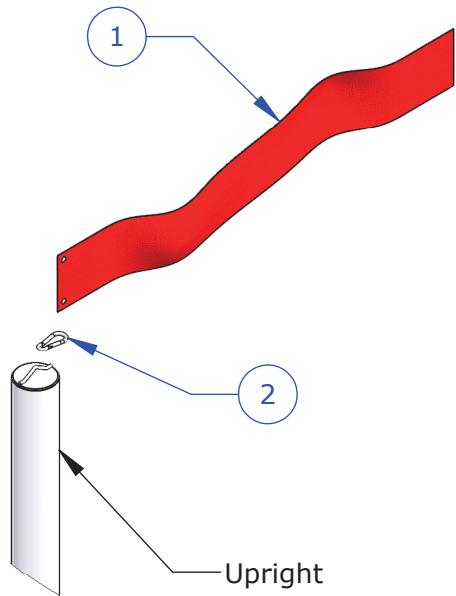
TITLE: Upright Splice Connection

DWG NO: ID-00136

SHEET 1 OF 1

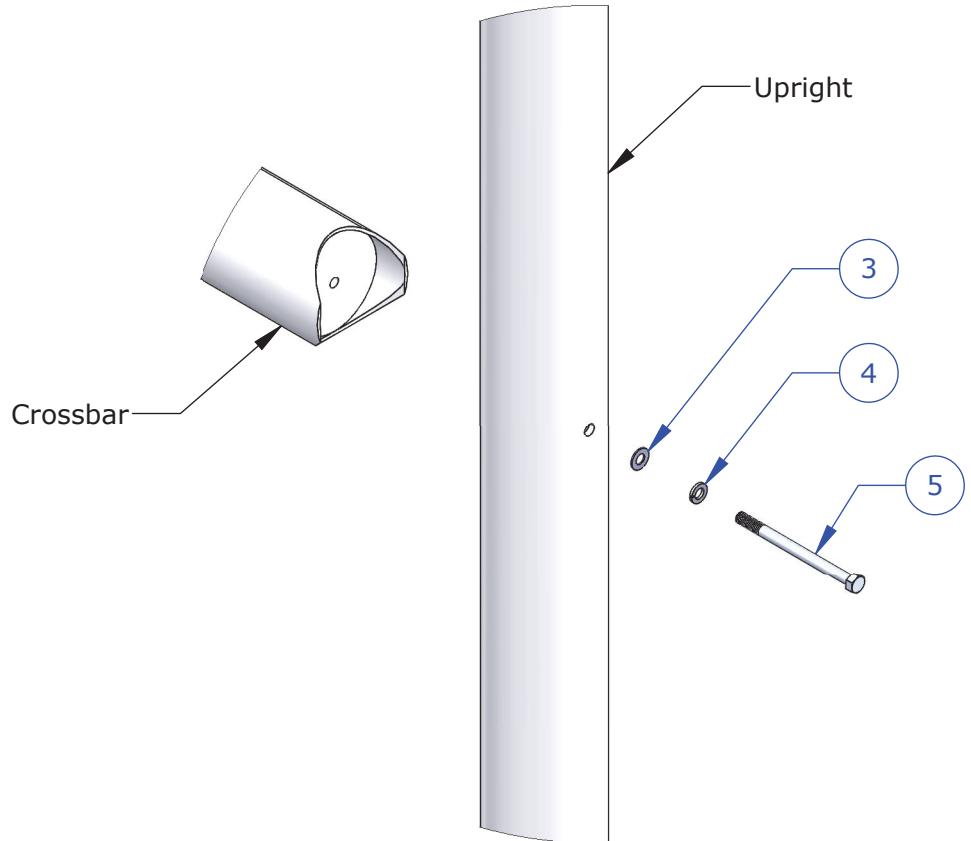
Step 1

Install the directional flags onto the upright poles using the spring hooks.



Step 2

Install upright poles with holes running parallel with the end line such that they will align with the crossbar.



Step 3

With 2 or more people, install the crossbar between the uprights, making sure the crossbar is aligned with both uprights before tightening all hardware.

ITEM NO.	QTY.	SAP Part Number	DESCRIPTION
1	2	GPDSTRGPT	Directional Flag
2	2	PURCHP-0097	3/16" Spring Hook-No Eye 304 SS
3	2	110-FLW-0005	3/8 S.S. FLAT WASHER
4	2	110-SLW-0006	3/8-16 S. S. Lock Washer
5	2	101-HHC-0040	3/8-16 x 5.00" Hex Head Bolt, 304 SS

TITLE:

Rugby Goal Assembly

DWG NO:

ID-00134

SHEET 1 OF 1