



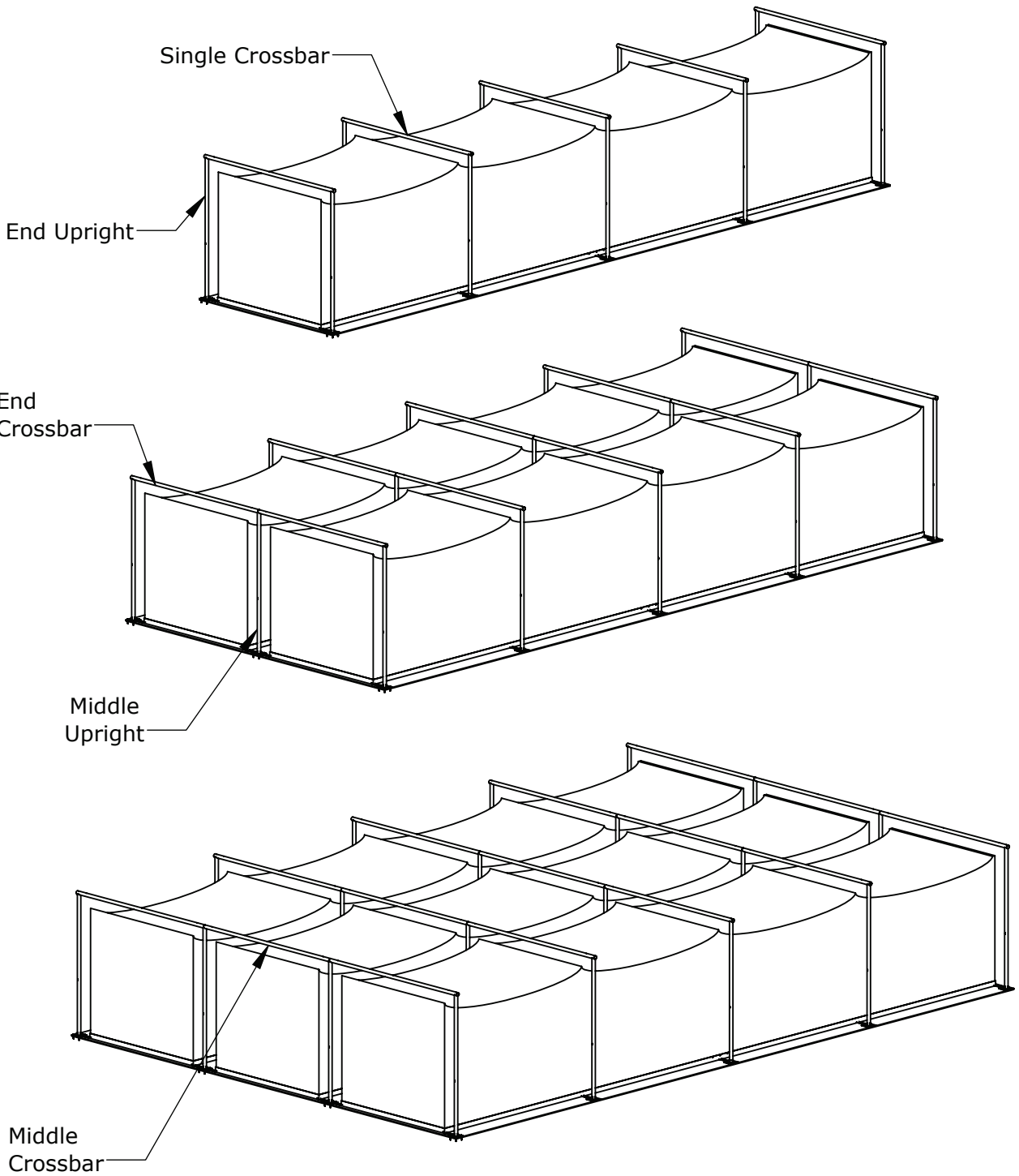
1-888-975-3343

Install Instructions

Plate Mount Overhead Batting Tunnel

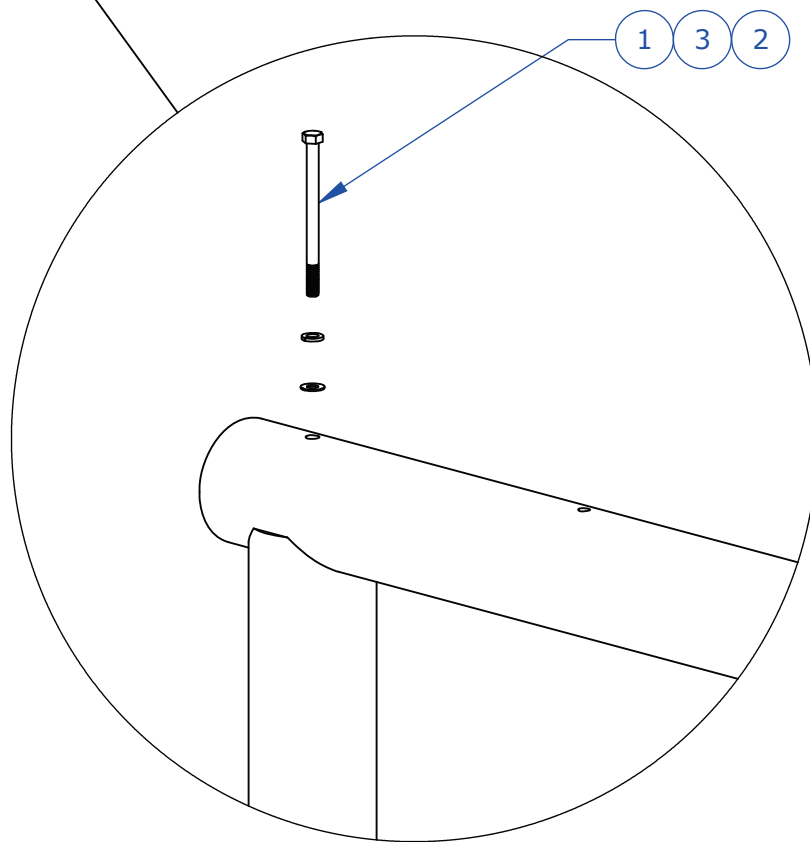
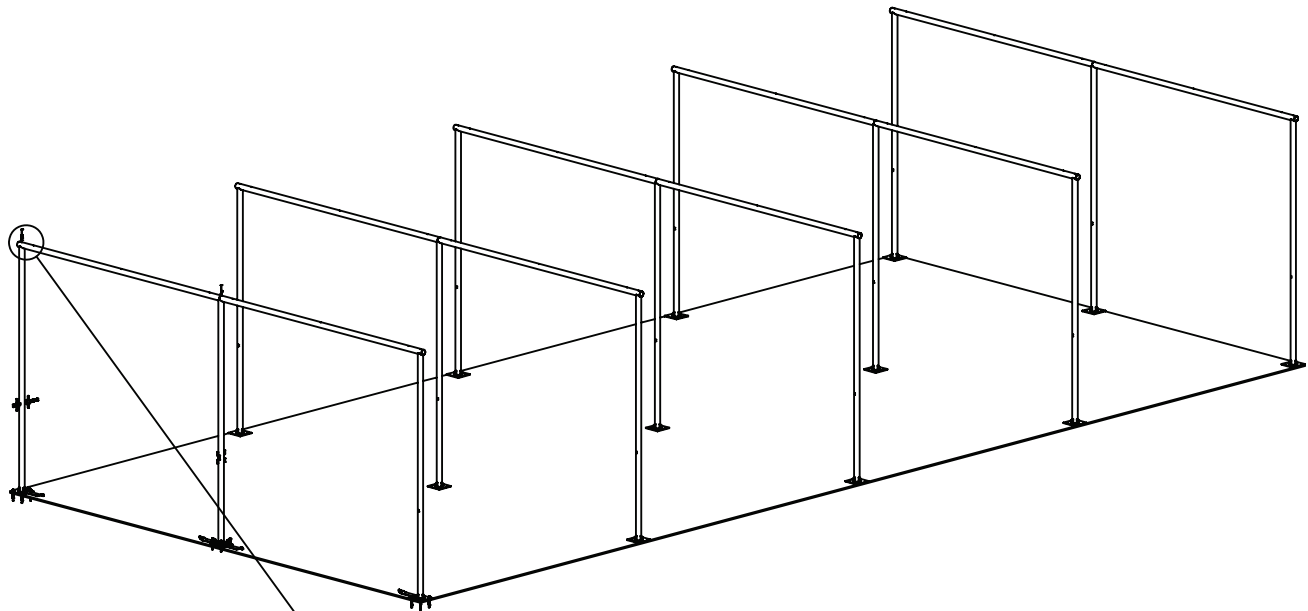
Product No.	Product Description
BTOBSPL	Single Baseball System
BTOBDPL	Double Baseball System
BTOBTPL	Triple Baseball System
BTOSSPL	Single Softball System
BTOSDPL	Double Softball System
BTOSTPL	Triple Softball System

System Overview.....	ID-00084
End Upright to Crossbar Attachment.....	ID-00086
Crossbar Splice Attachment.....	ID-00087
Double Pulley & Tether Attachment.....	ID-00089
Single Pulley & Tether Attachment.....	ID-00088
Rope Cleat Attachment.....	ID-00085
End Upright Extension Arm Attachment.....	ID-00090
Middle Upright Extension Arm Attachment.....	ID-00091
Net Attachment.....	ID-00092
Net Assembly.....	ID-00050
Net Removal, Storage, and System Disassembly.....	ID-00058



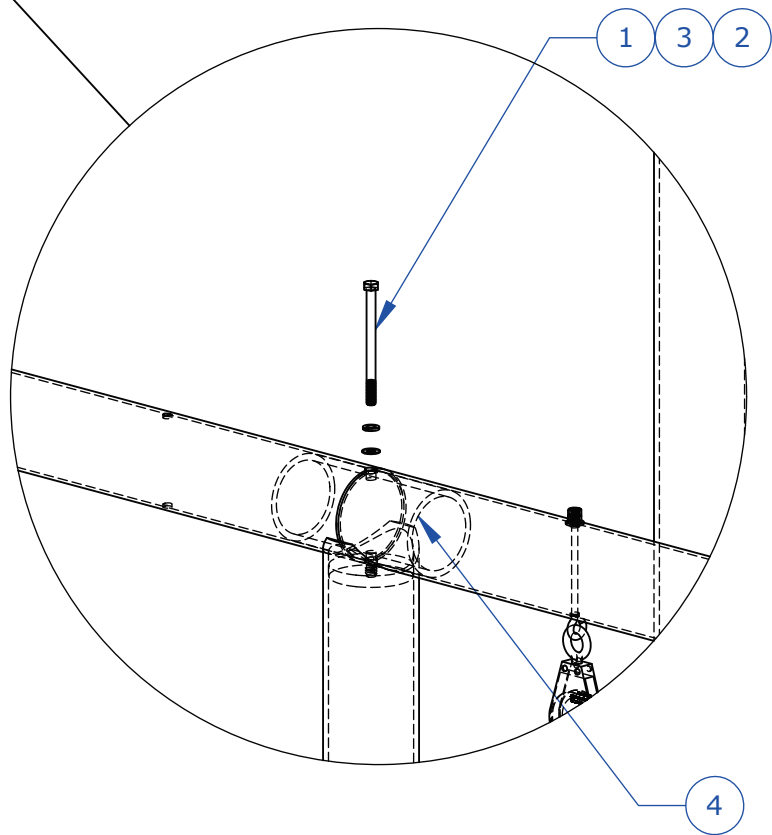
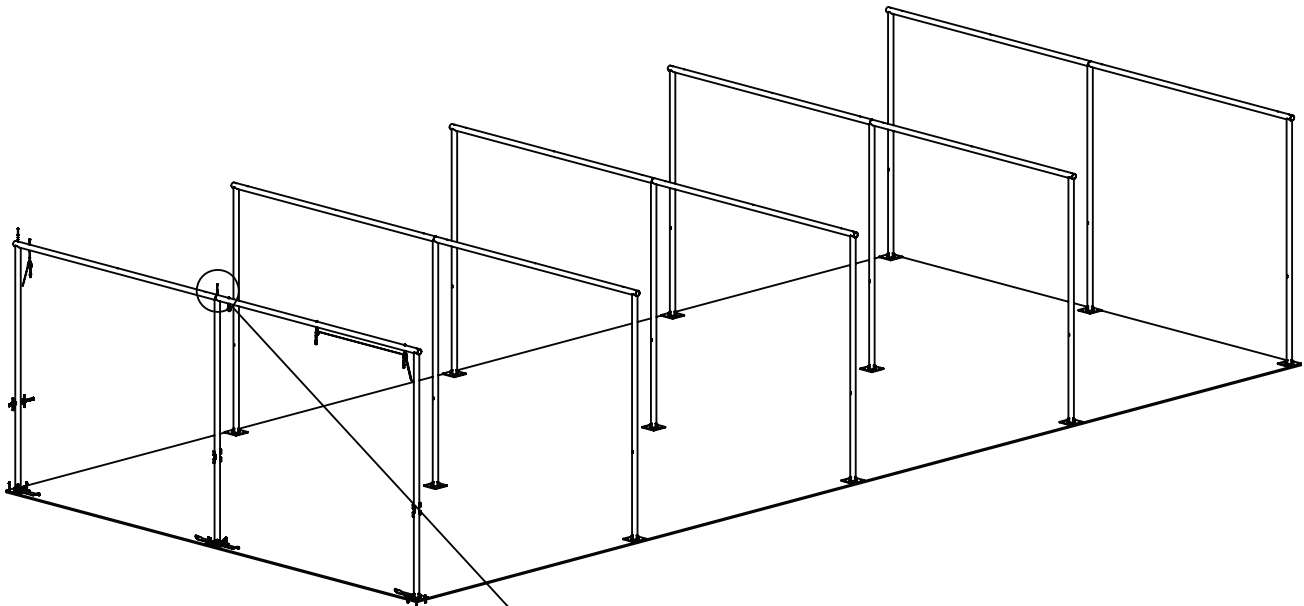
Model	Sport	Style	# of End Uprights	# of Middle Uprights	# of Single Crossbars	# of Middle Crossbars	# of End Crossbars
BTOBSPL	Baseball	Single	10	0	5	0	0
BTOBDPL	Baseball	Double	10	5	0	0	10
BTOBTPL	Baseball	Triple	10	10	0	5	10
BTOSSPL	Softball	Single	8	0	4	0	0
BTOSDPL	Softball	Double	8	4	0	0	8
BTOSTPL	Softball	Triple	8	8	0	4	8

TITLE:	Plate Mount Overhead Batting Tunnel Overview	DWG NO:	ID-00084
			SHEET 1 OF 1



ITEM NO.	QTY.	DRAWING NUMBER	SAP Part Number	DESCRIPTION
1	1	101-HHC3_8-16X5-SS	101-HHC-0040	3/8-16 x 5.00" Hex Head Bolt, 304 SS
2	1	110-FLW3_8-SS	110-FLW-0005	3/8 S.S. FLAT WASHER
3	1	110-SLW3_8-SS	110-SLW-0006	3/8-16 S. S. Lock Washer

TITLE: End Upright to Crossbar Attachment	DWG NO: ID-00086
	SHEET 1 OF 1

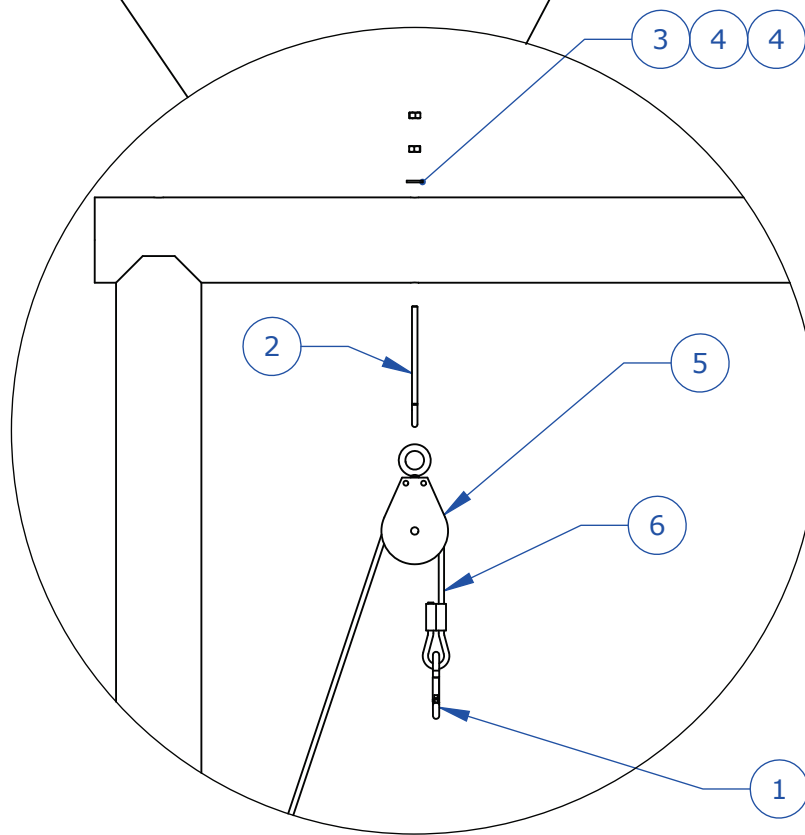
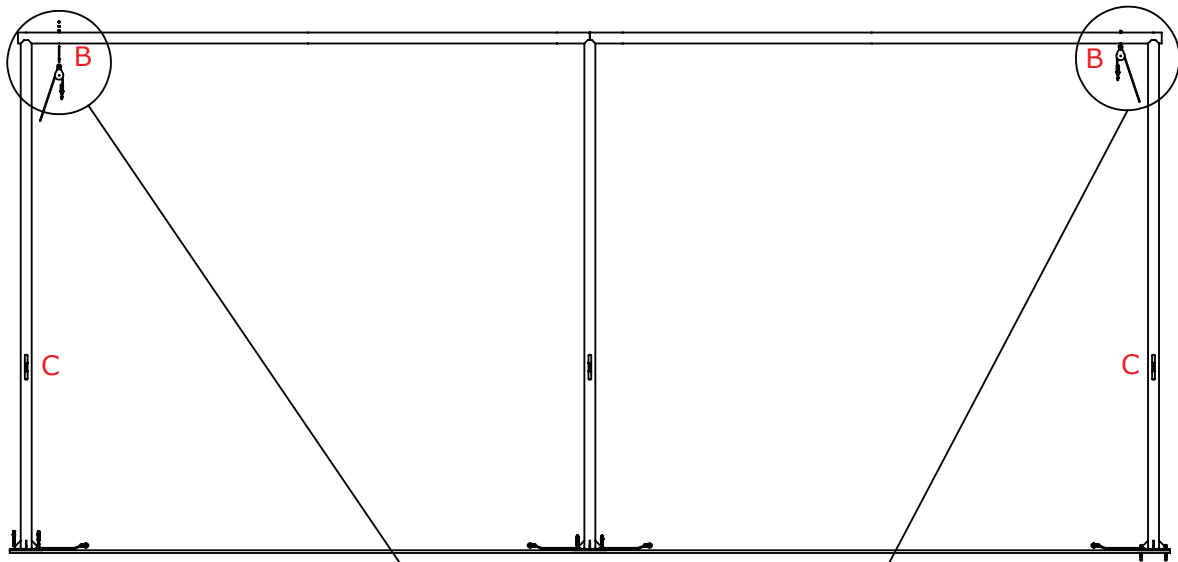


Note: Applies to double and triple tunnels only

Note: Install splice sleeves prior to fastening crossbars to middle uprights

ITEM NO.	QTY.	DRAWING NUMBER	SAP Part Number	DESCRIPTION
1	1	101-HHC3_8-16X5-SS	101-HHC-0040	3/8-16 x 5.00" Hex Head Bolt, 304 SS
2	1	110-FLW3_8-SS	110-FLW-0005	3/8 S.S. FLAT WASHER
3	1	110-SLW3_8-SS	110-SLW-0006	3/8-16 S. S. Lock Washer
4	1	BTO-SPLICE	E-0009-0002	Double & Triple Overhead Batting Tunnel Crossbar Splice

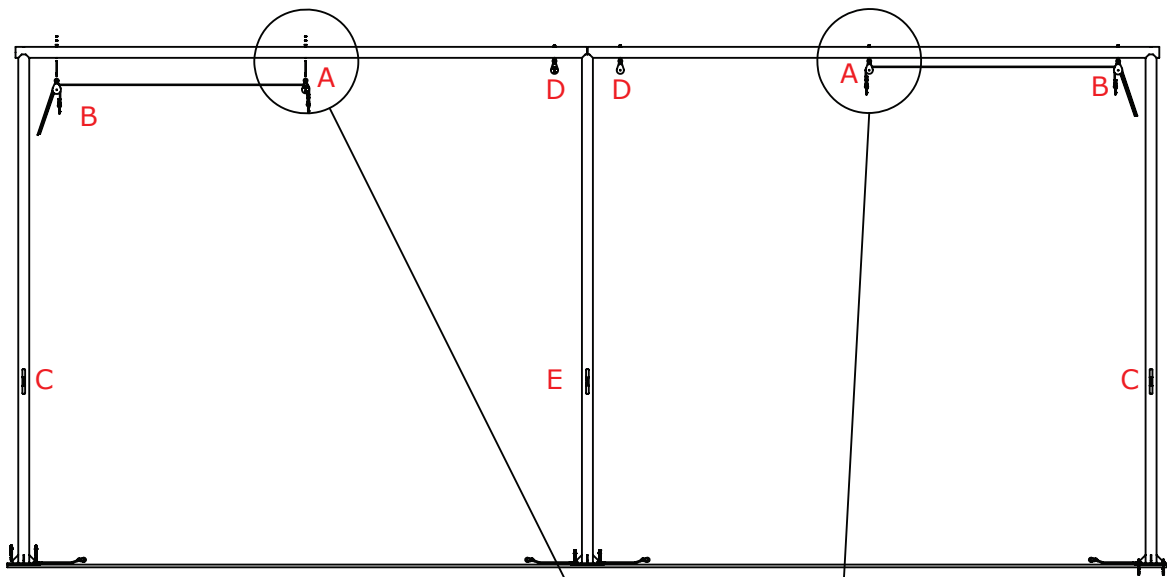
TITLE: Crossbar Splice Attachment	DWG NO: ID-00087
	SHEET 1 OF 1



Tether Assembly:
Run supplied 32' Tether
through outside of double
pulley (B) and tie off at rope
cleat (C)

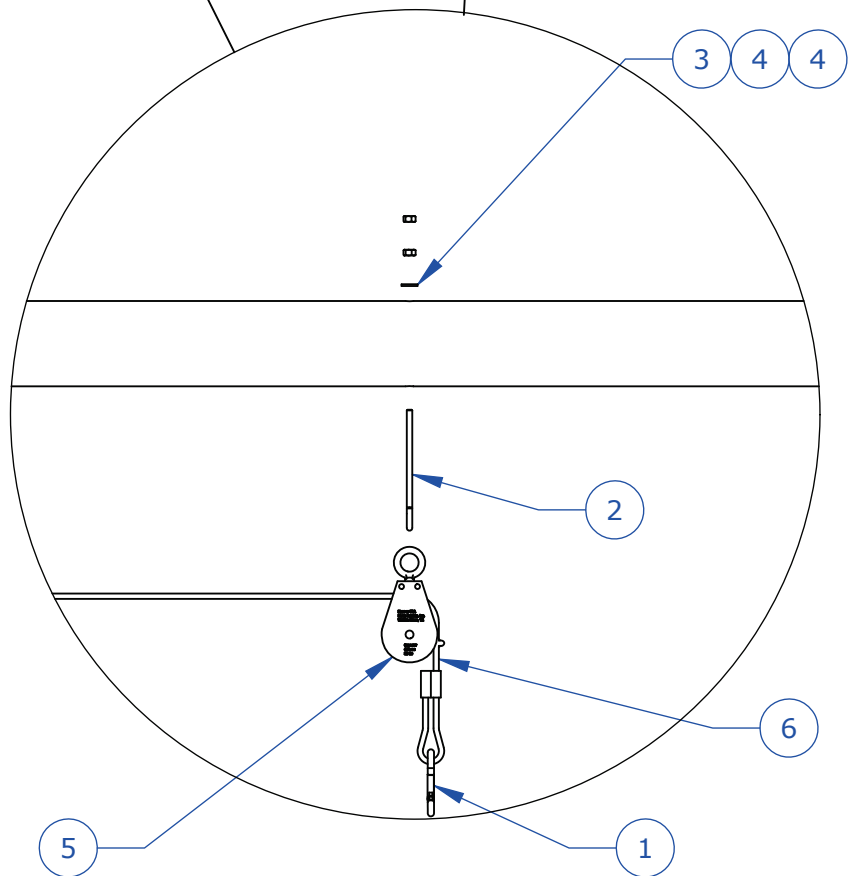
ITEM NO.	QTY.	DRAWING NUMBER	SAP Part Number	DESCRIPTION
1	2	113-209860	PURCHP-0009	5/16" Spring Hook
2	2	100-EYE5_16-18X4.625-OPEN-STL	100-EYE-0010	5/16-18 x 4.625" Long Open Eye Bolt
3	2	110-FLW5_16-SS	110-FLW-0007	5/16 S.S. FLAT WASHER
4	4	107-HXN5_16-18-SS	107-HXN-0023	5/16-18 S.S. Hex Nut
5	2	3099T26	PURCHP-0642	1/4" Swivel Eye Wire Rope Block Pulley, Double Snatch Block Style, Galv., 800 lb WLL
6	2	TETHER-32	TETHER-32	32' Long Tether

TITLE: Double Pulley & Tether Attachment	DWG NO: ID-00089
	SHEET 1 OF 1



Tether Assembly:
Run supplied 45' tether through single pulley (A) to double pulley (B) and tie off at rope cleat (C)

Run supplied 32' tether through single pulley (D) and tie off at rope cleat (E)

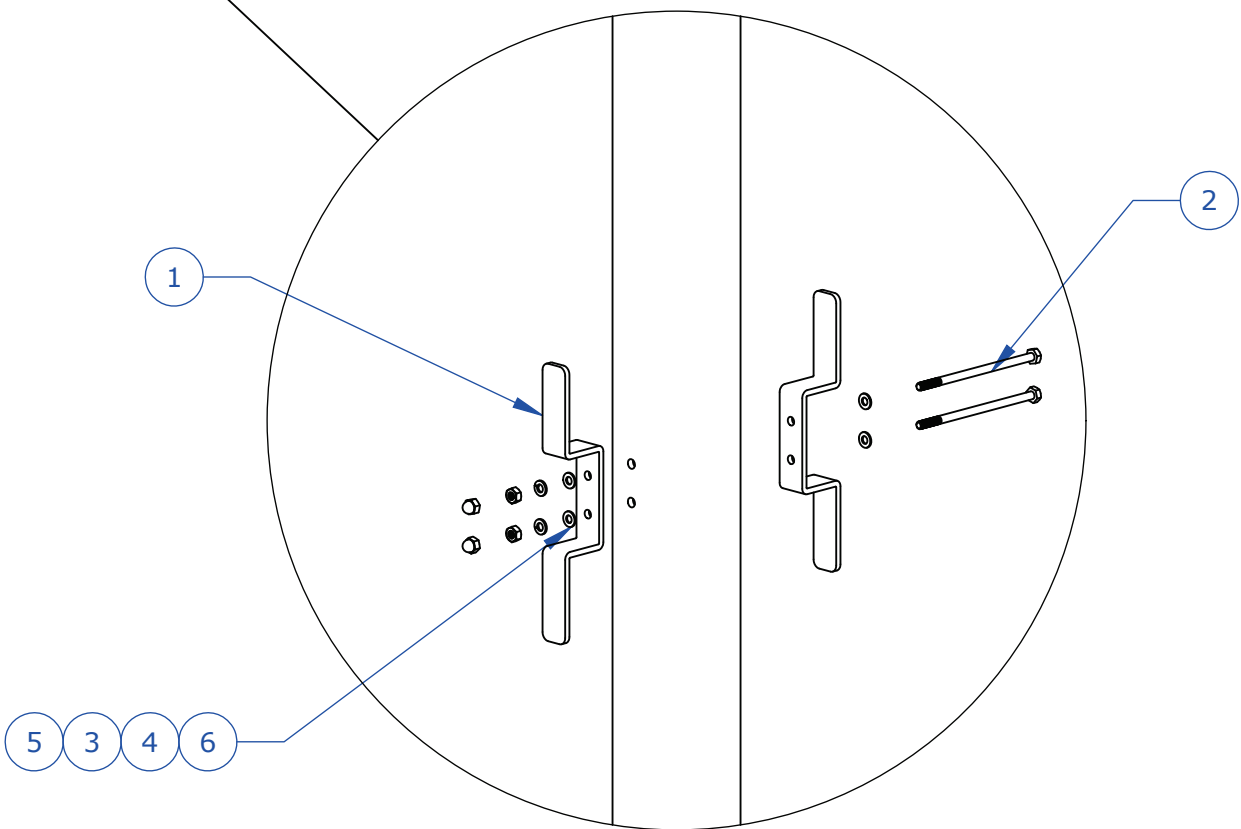
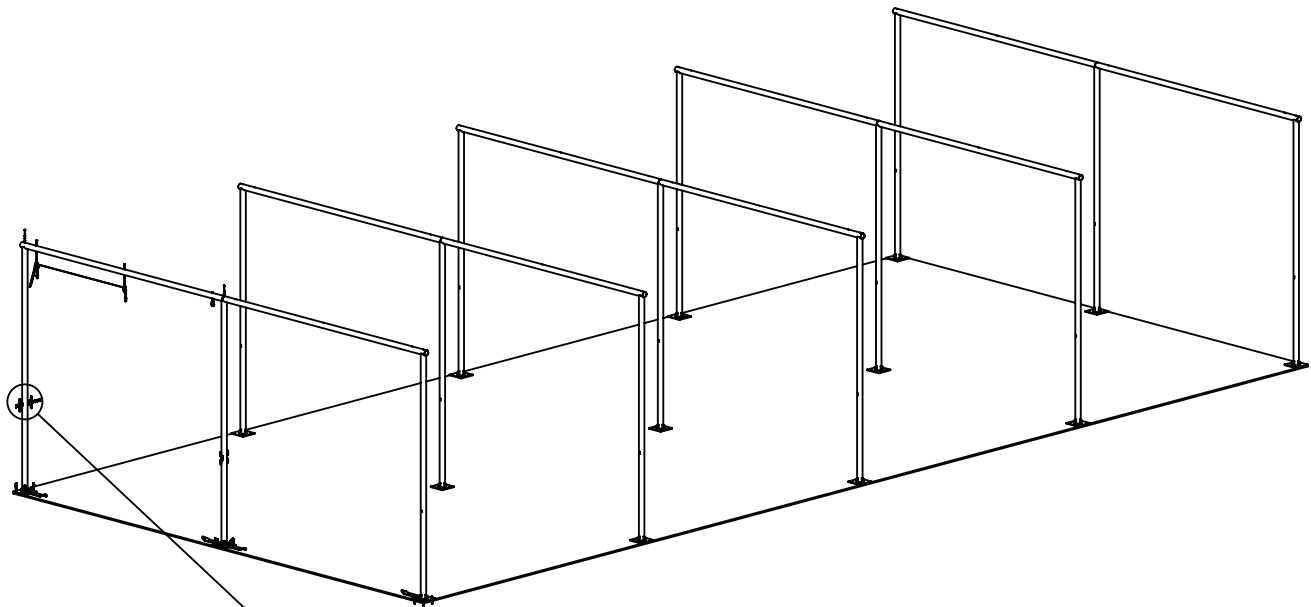


ITEM NO.	QTY.	DRAWING NUMBER	SAP Part Number	DESCRIPTION
1	2	113-209860	PURCHP-0009	5/16" Spring Hook
2	4	100-EYE5_16-18X4.625-OPEN-STL	100-EYE-0010	5/16-18 x 4.625" Long Open Eye Bolt
3	4	110-FLW5_16-SS	110-FLW-0007	5/16 S.S. FLAT WASHER
4	8	107-HXN5_16-18-SS	107-HXN-0023	5/16-18 S.S. Hex Nut
5	4	113-BLOCKWR300-02548	PURCHP-0026	1/4" Swivel Block Pulley
6	2	TETHER-45	TETHER-45	45' Long Tether

TITLE:
Single Pulley & Tether Attachment

DWG NO:
ID-00088

SHEET 1 OF 1



ITEM NO.	QTY.	DRAWING NUMBER	SAP Part Number	DESCRIPTION
1	2	Rope Cleat	E-1000-0013	Steel Rope Cleat
2	2	101-HHC1_4-20X5.00-SS	101-HHC-0026	1/4-20 x 5.00" hex head bolt, 304 SS
3	2	107-HXN1_4-20-SS	107-HXN-0010	1/4-20 STAINLESS STEEL HEX NUT
4	2	110-SLW1_4-SS	110-SLW-0002	1/4 SS LOCK WASHER
5	2	107-HXN1_4-20ACORN-SS	107-HXN-0006	1/4-20 S.S. Low Crown Acorn Nut
6	4	110-FLW1_4-SS	110-FLW-0002	1/4" S.S. FLAT WASHER

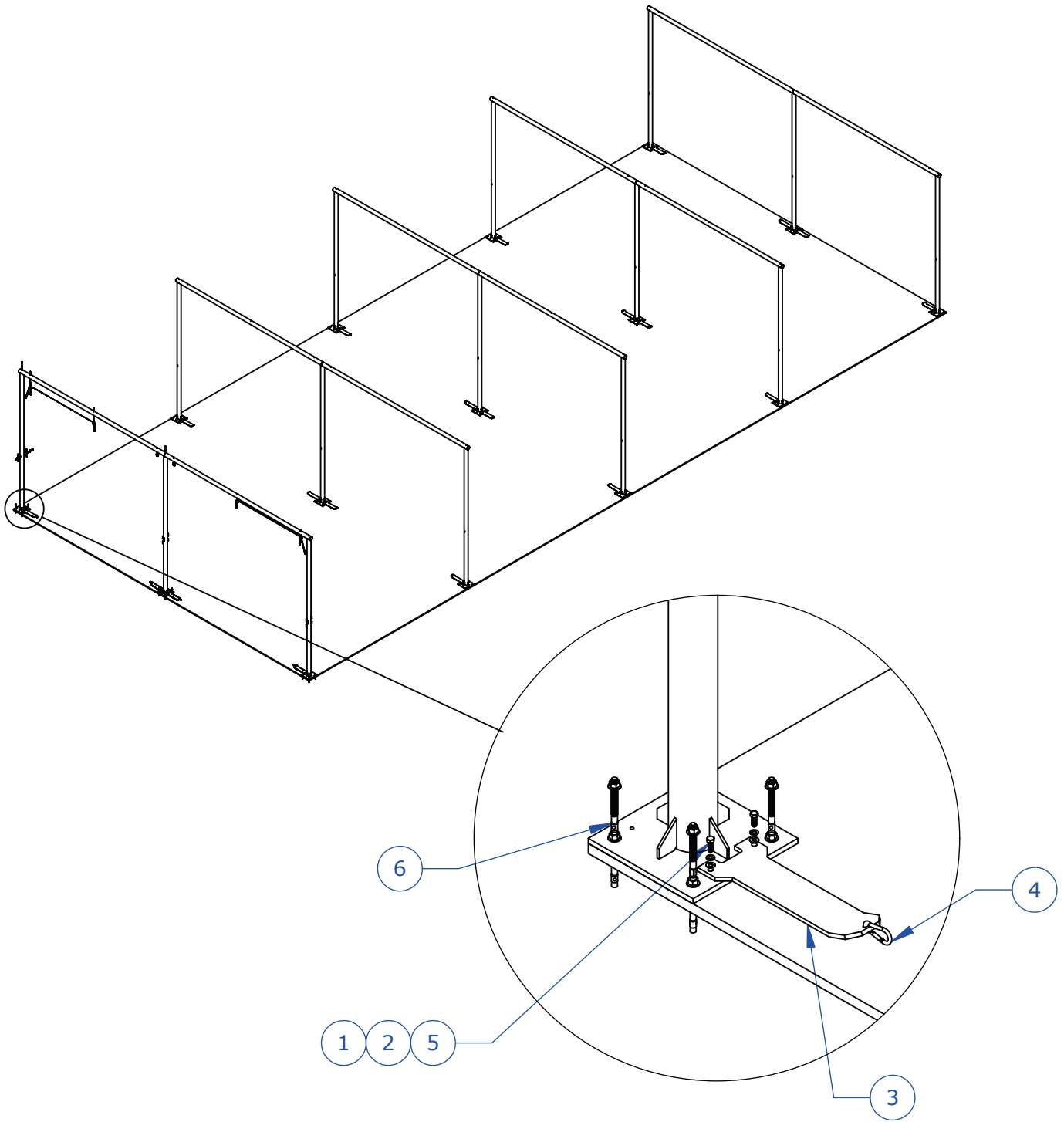
TITLE:

Rope Cleat Attachment

DWG NO:

ID-00085

SHEET 1 OF 1



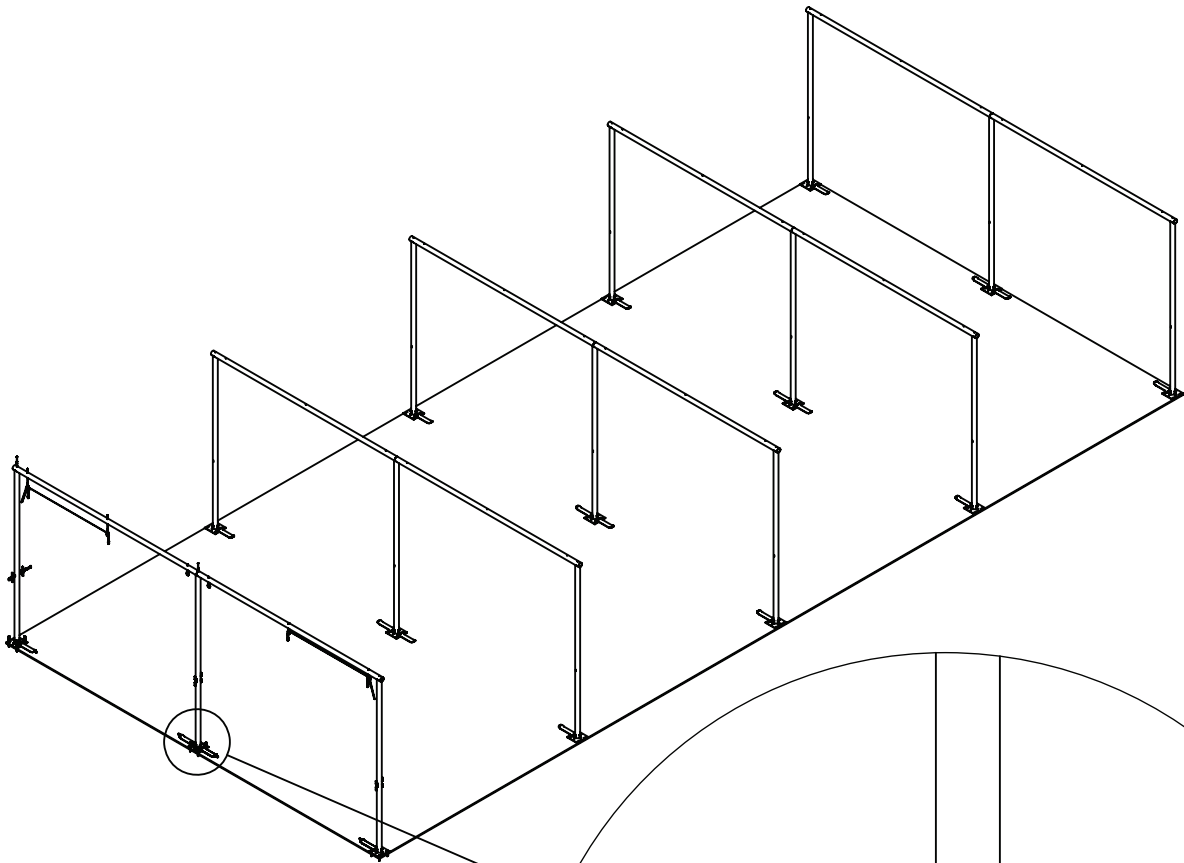
ITEM NO.	QTY.	DRAWING NUMBER	SAP Part Number	DESCRIPTION
1	2	110-FLW3_8-SS	110-FLW-0005	3/8 S.S. FLAT WASHER
2	2	110-SLW3_8-SS	110-SLW-0006	3/8-16 S. S. Lock Washer
3	1	FEASH - PL	E-0009-0006	18" Fixed Batting Tunnel Extension Arm
4	1	113-209860	PURCHP-0009	5/16" Spring Hook
5	2	101-HHC3_8-16X1-SS	101-HHC-0033	3/8-16 x 1.00" Hex Head Bolt, 304 SS
6	4	97110A302	PURCHP-0643	Exp anchor KB3 1/2" x 5-1/2" LT HDG

TITLE: **End Upright Extension Arm Attachment**

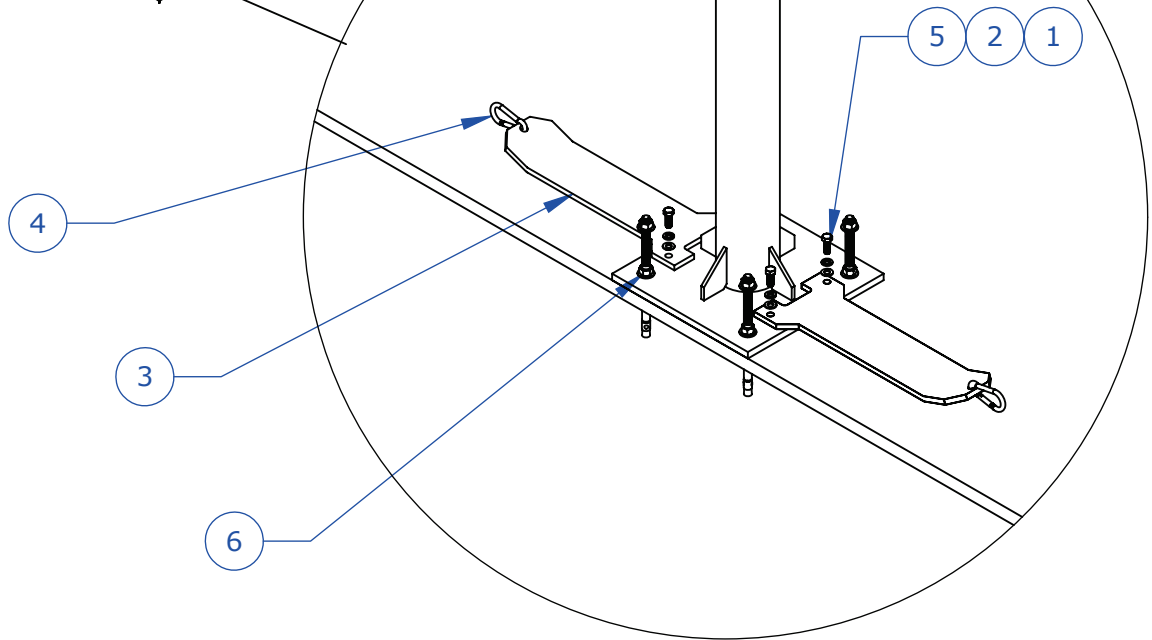
DWG NO:

ID-00090

SHEET 1 OF 1



Note: Applies to double and triple tunnels only



ITEM NO.	QTY.	DRAWING NUMBER	SAP Part Number	DESCRIPTION
1	4	110-FLW3_8-SS	110-FLW-0005	3/8 S.S. FLAT WASHER
2	4	110-SLW3_8-SS	110-SLW-0006	3/8-16 S. S. Lock Washer
3	2	FEASH - PL	E-0009-0006	18" Fixed Batting Tunnel Extension Arm
4	2	113-209860	PURCHP-0009	5/16" Spring Hook
5	4	101-HHC3_8-16X1-SS	101-HHC-0033	3/8-16 x 1.00" Hex Head Bolt, 304 SS
6	4	97110A302	PURCHP-0643	Exp anchor KB3 1/2" x 5-1/2" LT HDG

TITLE: **Middle Upright Extension Arm Attachment**

DWG NO: **ID-00091**

SHEET 1 OF 1

Step 1

Lay net out with net openings in desired locations

Step 2

Feed the 75'/55' tether lengthwise through the top/center of each net, weaving through the net about every 6". Clip tethers and net at each center pulley location (See below)

Step 3

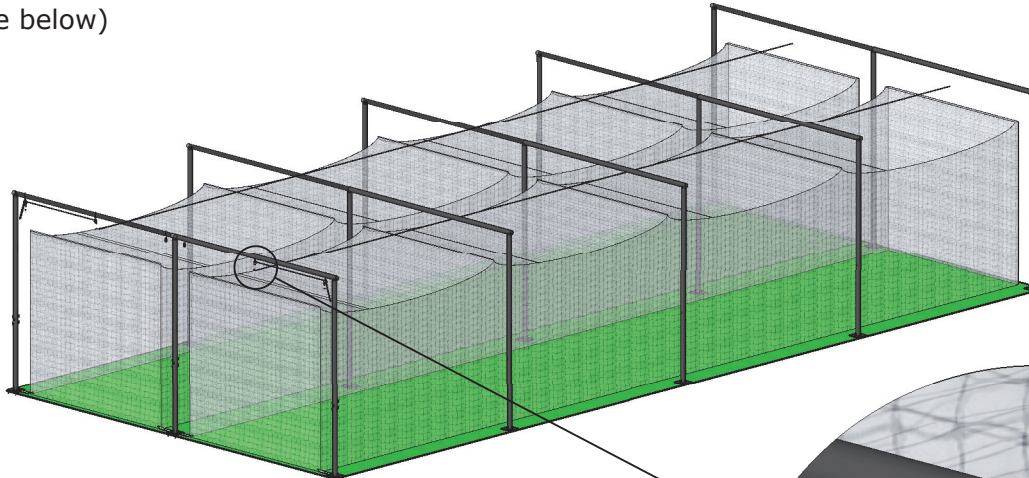
Clip the top corners and center of each net with supplied spring hooks at end pulley locations

Step 4

Raise the net into position, then attach weighted chain pockets to the bottom of the net (See ID-00050)

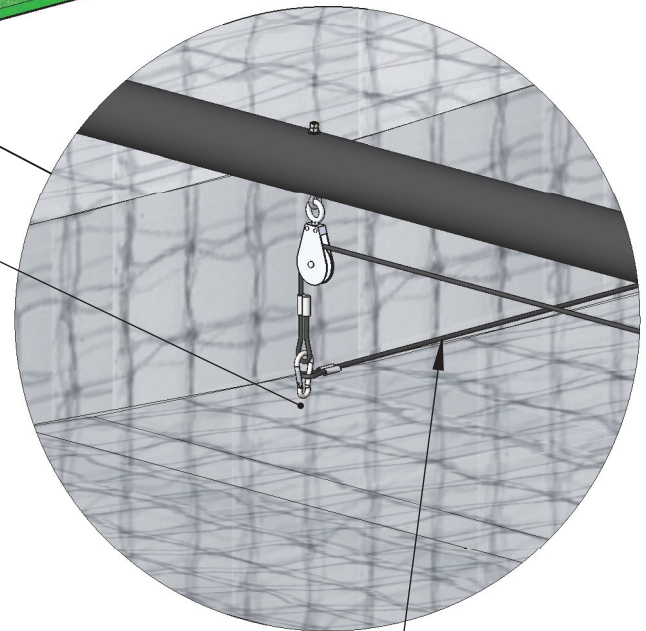
Step 5

Secure the bottom of the net at each pole location to the extension arm using supplied spring hooks. Clip hooks to net border only



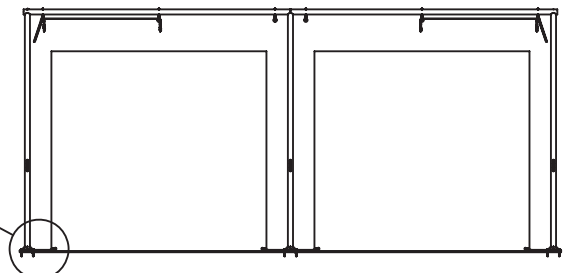
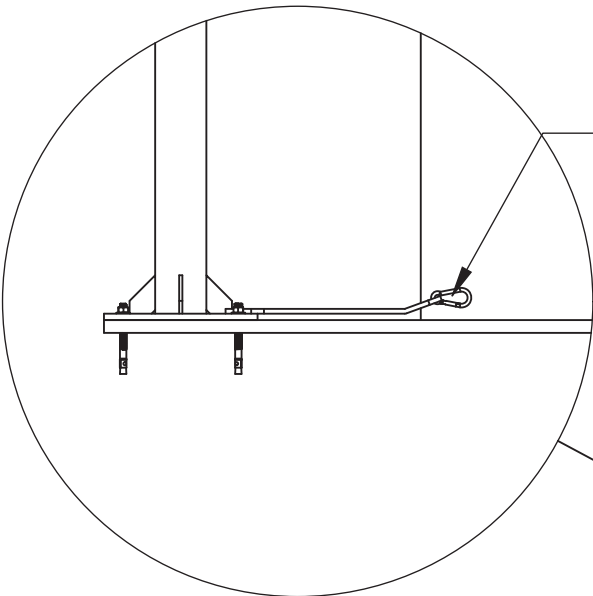
***Important Note:** Prior to raising the net, mark clip locations on the net for future removal and reinstallation of net

Net Binding



Lengthwise Tether
Baseball: 75'
Softball 55'

Spring hook
for bottom
net attachment



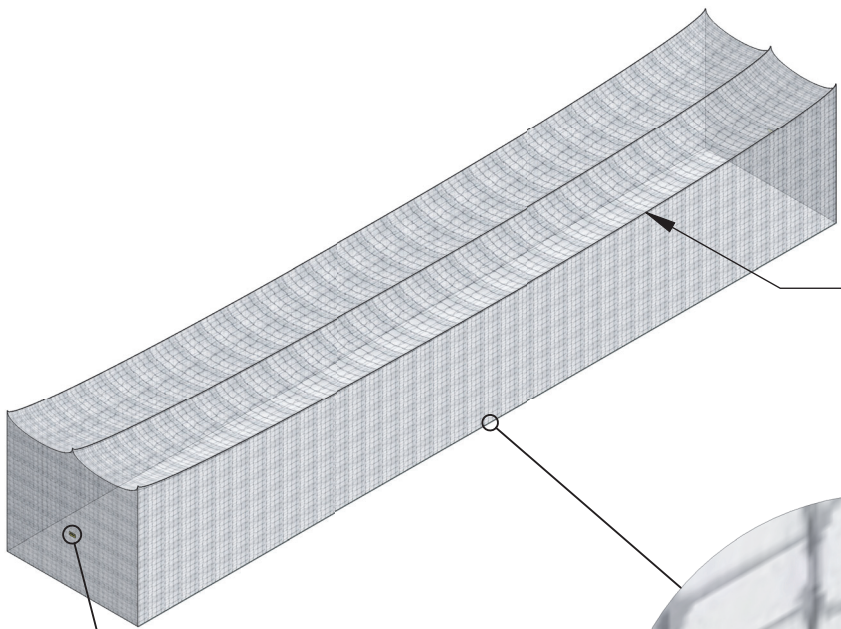
TITLE:

Net Attachment

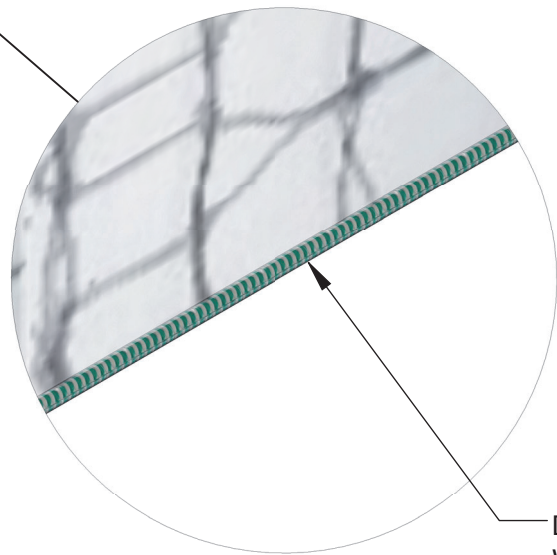
DWG NO:

ID-00092

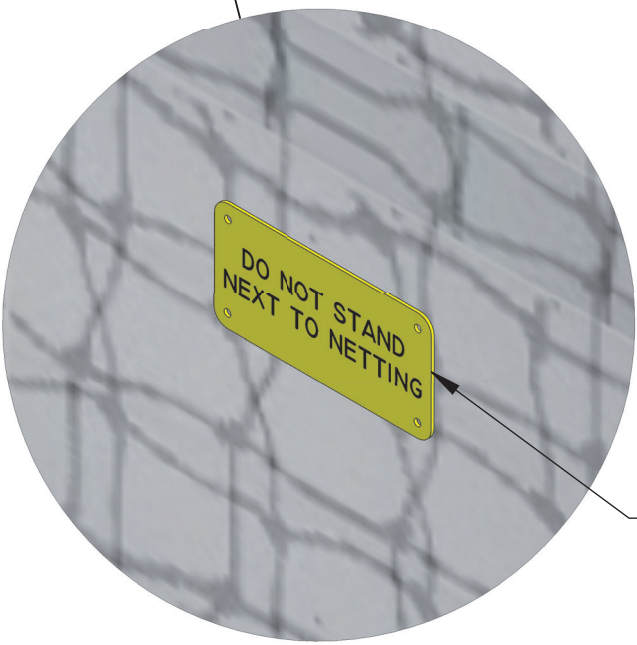
SHEET 1 OF 1



Note: Net sag may vary per system



Dura-Oceanmaster Weighted Line



Attach (1) "Do Not Stand Next to Netting" sign on each end of the net using supplied cable ties

TITLE: Net Assembly	DWG NO: ID-00050
	SHEET 1 OF 1

The net must be lowered to the ground when the wind speed is forecast to exceed 60 MPH and/or prior to any extreme wind events. Sportsfield Specialties, Inc. strongly recommends the removal of all nets prior to exposure to winter weather, including snow and/or ice storms. Whenever possible, the nets should also be lowered prior to any extreme wind events. Removal/Lowering of the nets will mitigate any unforeseen damage to the poles, nets and/or attachment hardware. Storing nets in a dry, pest free location will help extend the life of the nets. Sportsfield Specialties, Inc. will not be held liable or assume responsibility for any damage to the nets, poles and/or corresponding attachment hardware if the nets are not removed/lowered prior to the above described wind and/or weather events.

Step 1

If your net has weighted chain pockets, cut the zip ties connecting the weighted chain pocket to the net binding. Take care not to cut the net.

Step 2

Unhook the spring hooks that attach the net to the extension arms, leaving the spring hooks attached to the net. Mark clip locations on the net for future reference, if applicable.

Step 3

Using the tethers, lower the net. Tie the rope cleat off at both ends.

Step 4

Fold the net and store in a clean, dry location.

NOTE: If desired, the structure can be removed and stored. Cap off the ground sleeves with the provided ground sleeve cap. Store hardware in a single container for future installation

TITLE:

Net Removal, Storage,
and System Disassembly

DWG NO:

ID-00058

SHEET 1 OF 1