



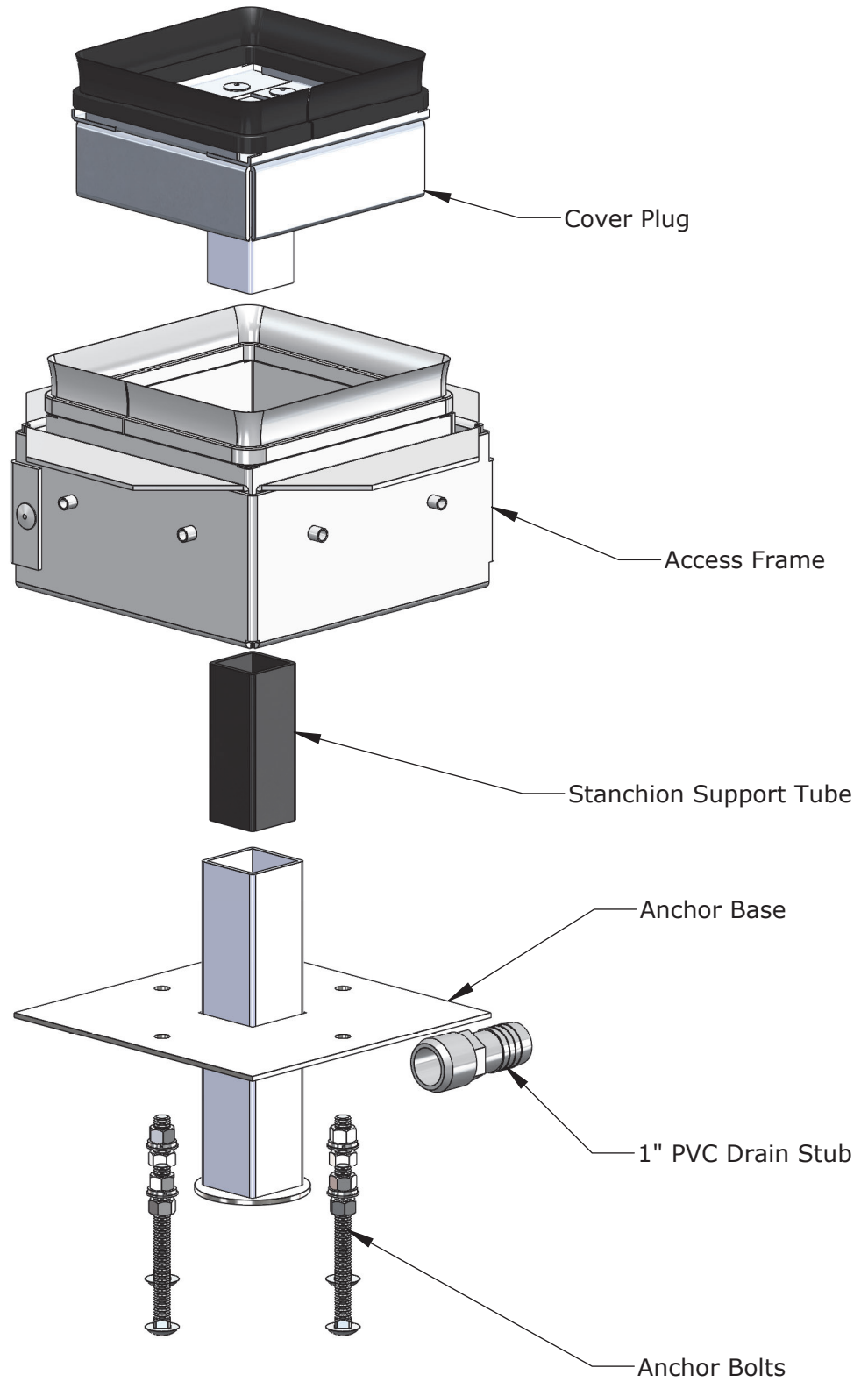
**1-888-975-3343**

## Install Instructions

### Schutt Hollywood Base Anchor Access Frame

Product No.	Product Description
SHAFIT	Access Frame Kit, Schutt/Hollywood Base Anchor, Infill Turf

SHAFIT System Overview.....	ID-00119
Field Placement Home Plate.....	ID-00115 Sheet 1
Field Placement Single Base.....	ID-00115 Sheet 2
Anchor Base Hardware.....	ID-00116
Anchor Base Elevation.....	ID-00117
Access Frame Installation.....	ID-00118



TITLE:

SHAFIT System Overview

DWG NO:

ID-00119

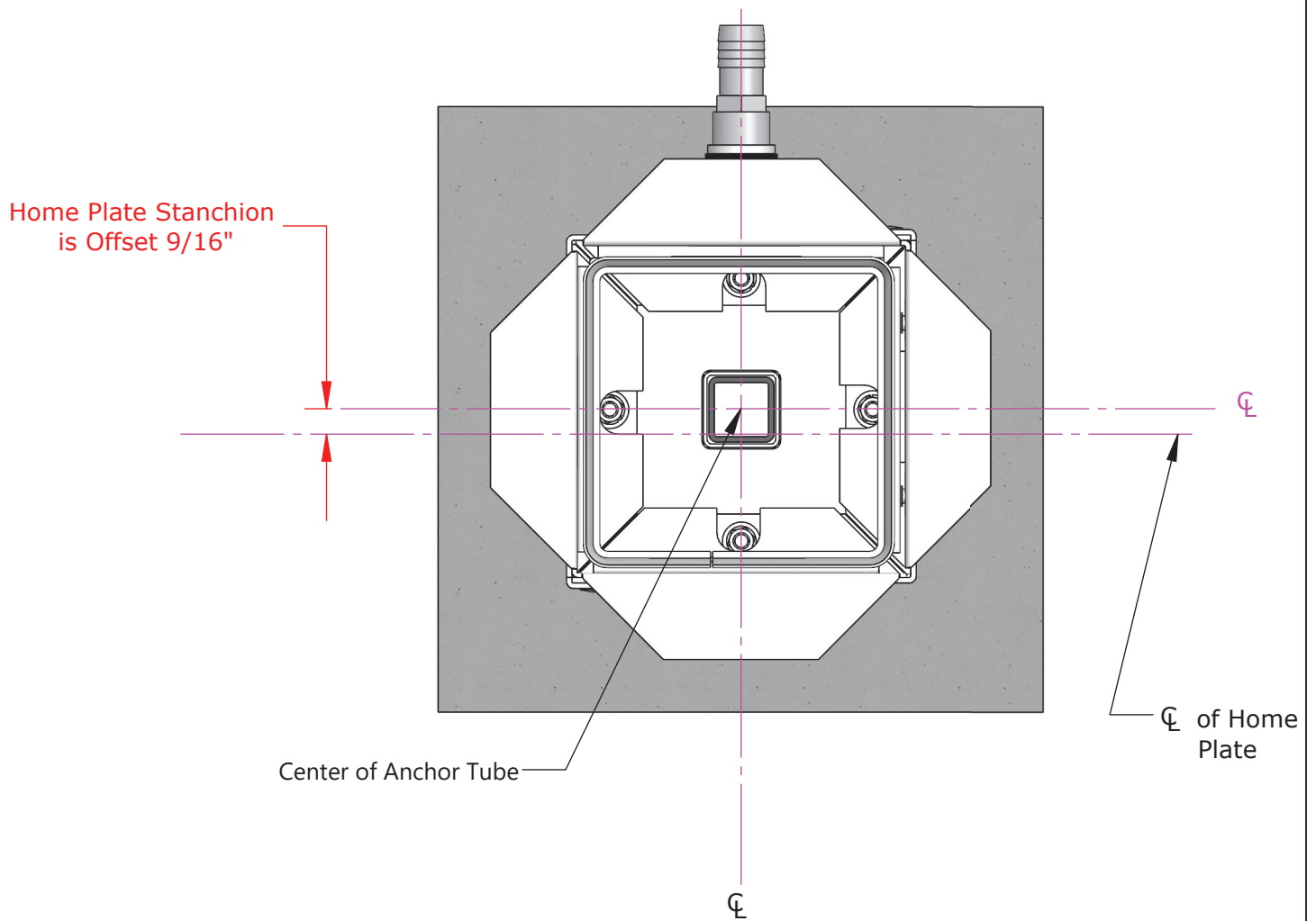
SHEET 1 OF 1

The SHAFIT is used to anchor either a stanchion single base or stanchion home plate.

Check project specific drawings to determine field locations.

### Step 1

Locate center of the home plate stanchion in the field.



Stanchion will be centered into the anchor tube.

TITLE:

Field Placement  
Home Plate

DWG NO:

ID-00115

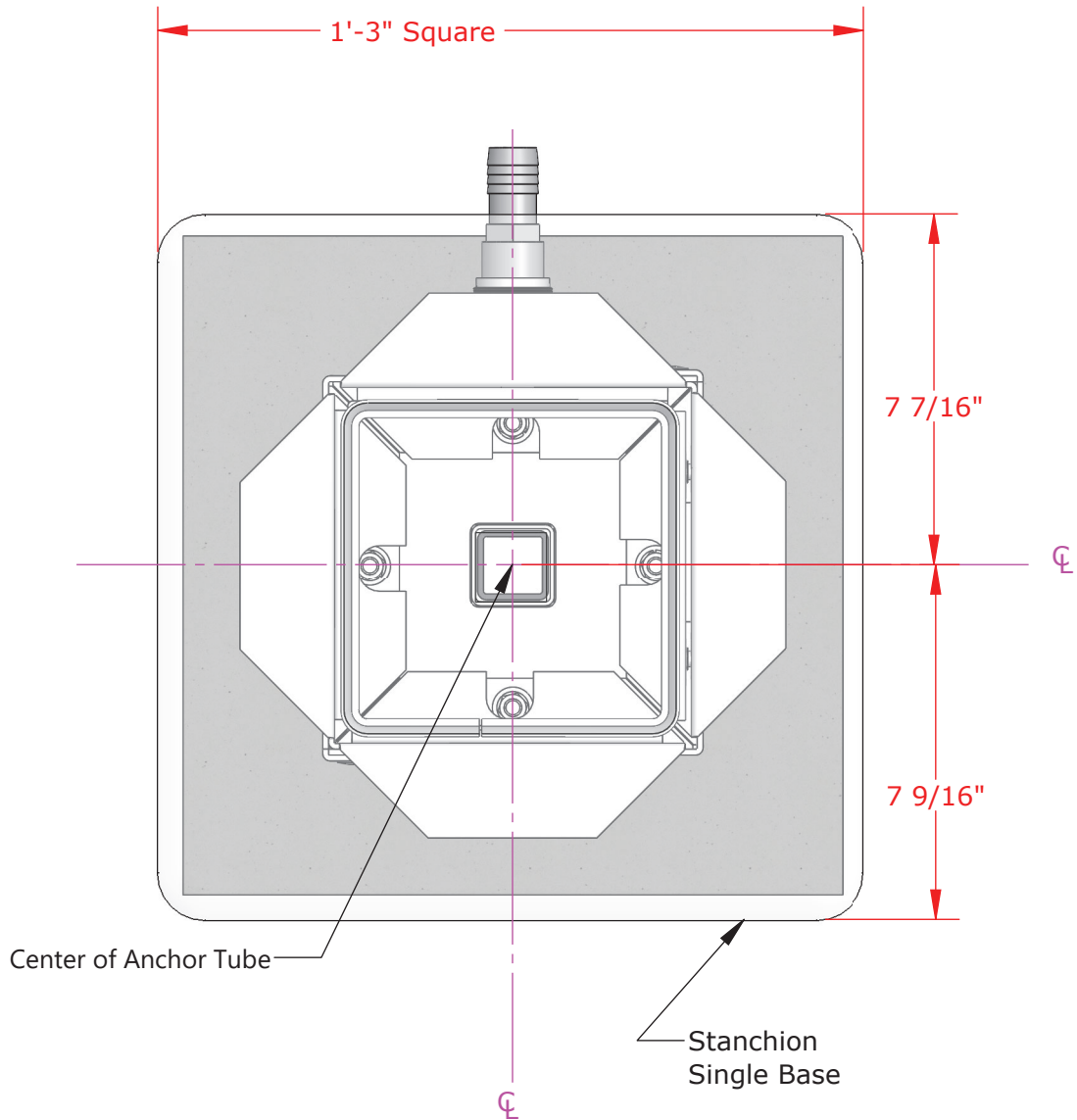
SHEET 1 OF 2

The SHAFIT is used to anchor either a stanchion single base or stanchion home plate.

Check project specific drawings to determine field locations.

### Step 1

Locate center of the base in the field.



Stanchion will be centered into the anchor tube.

TITLE:

Field Placement  
Single Base

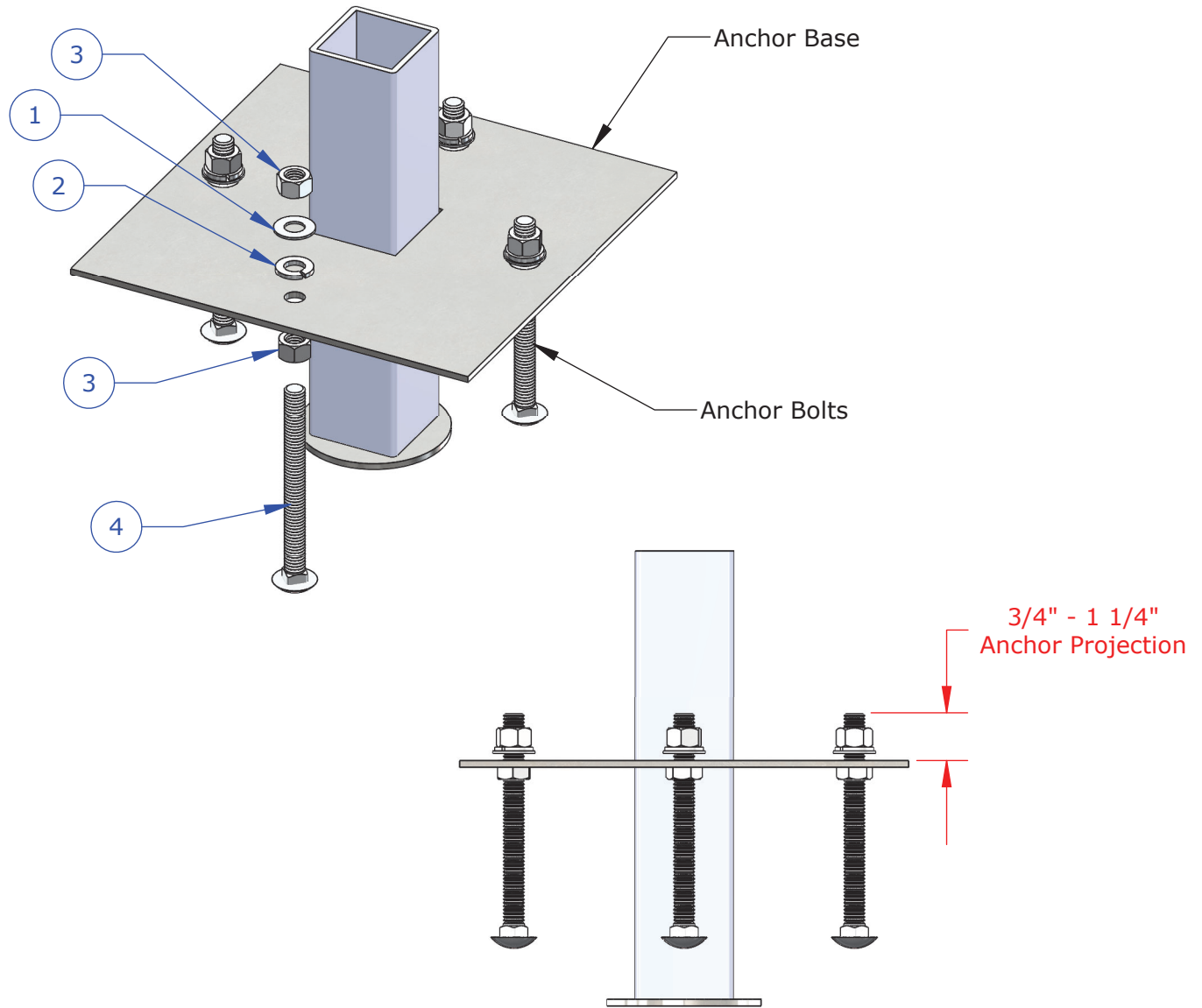
DWG NO:

ID-00115

SHEET 2 OF 2

## Step 1

Prepare anchor base hardware for concrete foundation placement.



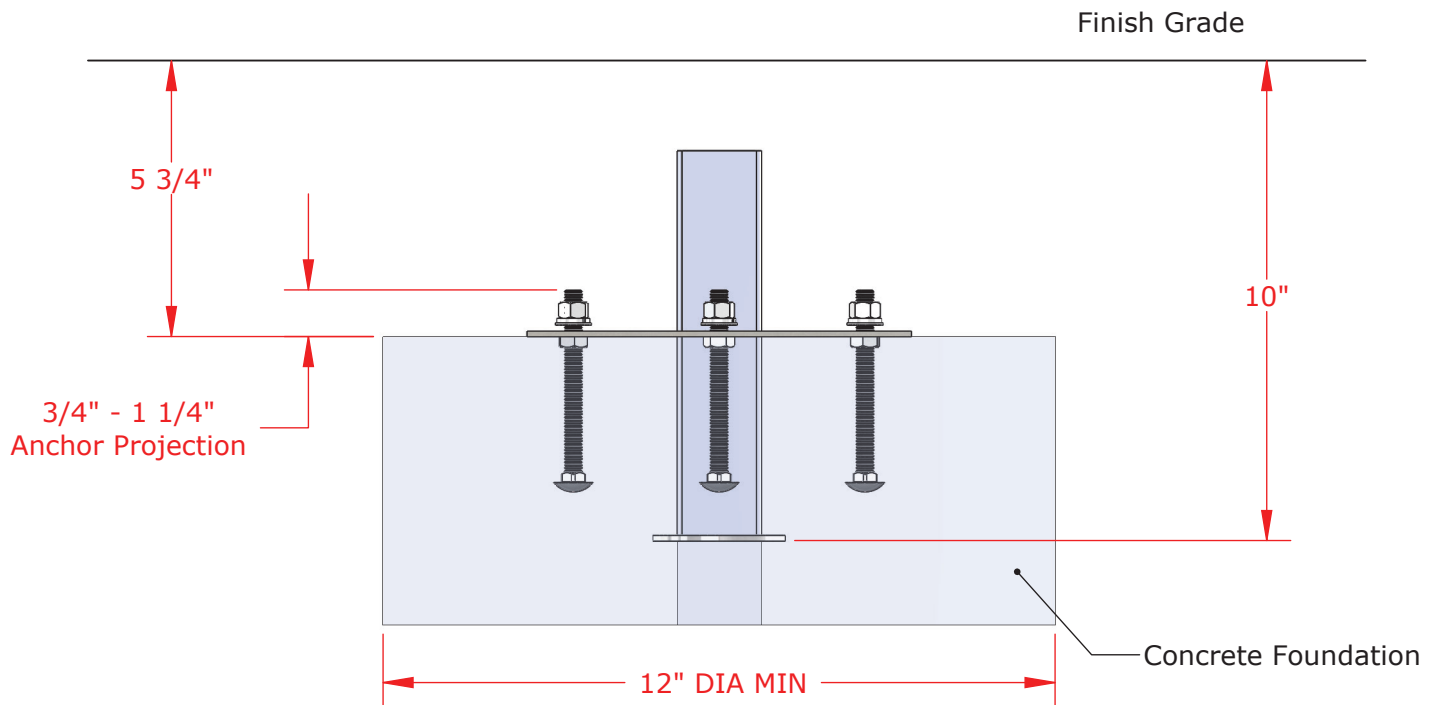
ITEM NO.	QTY.	SAP Part Number	DESCRIPTION
1	4	110-FLW-0005	3/8 S.S. FLAT WASHER
2	4	110-SLW-0006	3/8-16 S. S. Lock Washer
3	8	107-HXN-0020	3/8-16 STAINLESS STEEL HEX NUT
4	4	101-CAB-0004	3/8-16 x 4.00" L, Carriage Bolt, SS

TITLE: **Anchor Base Hardware**

DWG NO: **ID-00116**  
SHEET 1 OF 1

### Step 1

At each single location dig hole a minimum of 12" DIA and 10" Deep.



### Step 2

Pour concrete foundation up to an elevation of 5 3/4" below finish grade and set anchor base assembly as shown into the wet concrete so that the base plate is at the 5 3/4" level.

TITLE:

Anchor Base Elevation

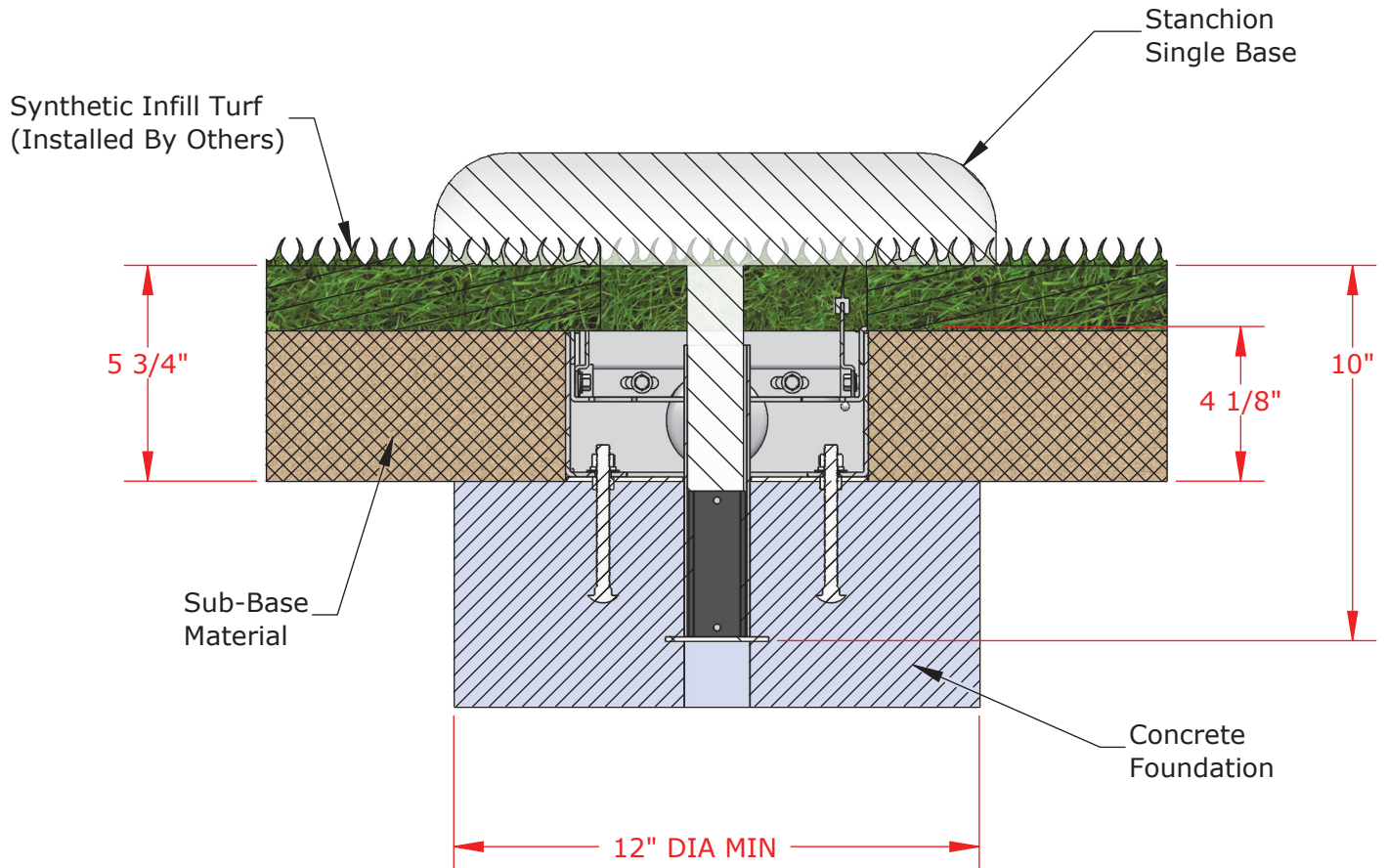
DWG NO:

ID-00117

SHEET 1 OF 1

## Step 1

Once concrete has cured, remove nuts from anchor bolts. After installing the access frame onto the anchor bolts, replace the nuts that were removed. Concrete should not impede or block the drain tube in any way, and that the failure to do so could result in a waterlogged box.



## Step 2

The synthetic infill turf can be cut and secured to the provided infill turf attachment ledge and cover plug. Synthetic turf and attachment method provided by others.

## Step 3

The stanchion support tube should be inserted into anchor tube to support single base or home plate. Test fit single base or home plate and adjust infill height as needed.

## Step 4

Insert cover plug when single base or home plate is not in use.

TITLE:

Access Frame Installation

DWG NO:

ID-00118

SHEET 1 OF 1