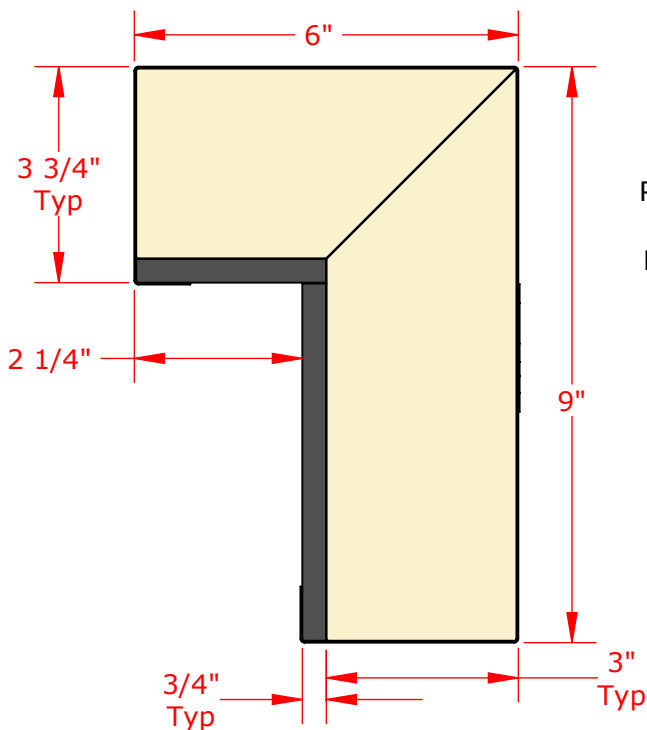


19 oz. Premium Outdoor Vinyl,  
 High UV Resistance, Various Standard  
 Colors Available

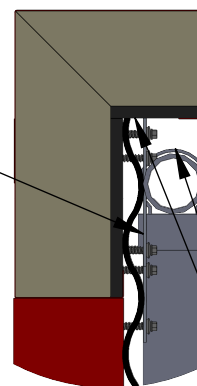
3" Thick High Impact  
 Polyurethane Foam

Optional Custom Digitally Printed Lettering  
 And/Or Graphics Available

3/4" Square Edge Advantech® Water  
 Resistant Composite Sheathing Panel,  
 All Sides Stained and Sealed with  
 Exterior Grade Finish



Padding Attaches to Chain Link  
 Fence with Provided Backing  
 Plates and Corrosion Resistant  
 Screws



**NOTE:** The chain link fence fabric and posts  
 (by others) **MUST** be flush across the top to permit  
 a proper Top Rail Pad installation; vertical line posts  
**CANNOT** extend above the chain link fabric nor  
 the horizontal top rail (if present). Failure to  
 heed this requirement will prohibit a satisfactory  
 product installation

**PROPRIETARY AND CONFIDENTIAL**

THE INFORMATION CONTAINED IN  
 THIS DRAWING IS THE SOLE PROPERTY  
 OF SPORTSFIELD SPECIALTIES INC.  
 ANY REPRODUCTION IN PART OR AS A  
 WHOLE WITHOUT THE WRITTEN  
 PERMISSION OF SPORTSFIELD  
 SPECIALTIES INC. IS PROHIBITED.

**BCLTRPR BaseZone® Chain Link Top Rail Padding**

Not To Scale

Sportsfield Specialties Inc 10182024