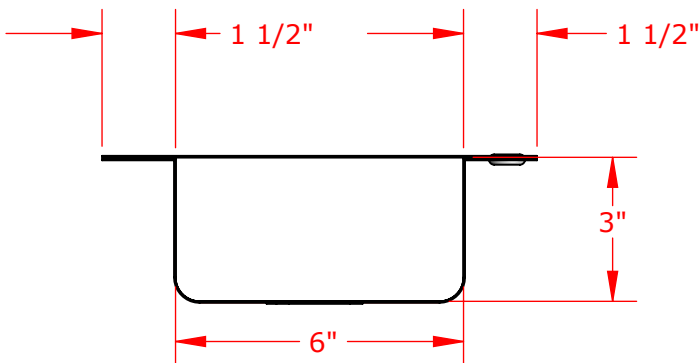


19 oz. Premium Outdoor Vinyl,
 High UV Resistance,
 Various Standard Colors Available

Optional Custom Digitally Printed Lettering
 And/Or Graphics Available

3" Thick High Impact
 Polyurethane Foam



Two (2) - 1.5" Wide Vinyl Flaps with #2 Stainless Steel Grommets Factory Installed Every 12" on Center for Securement Purposes, Attached to Vertical Post Using 14"L, 120 lb. Break Strength, UV Resistant, Black Cable Zip Ties

PROPRIETARY AND CONFIDENTIAL

THE INFORMATION CONTAINED IN THIS DRAWING IS THE SOLE PROPERTY OF SPORTSFIELD SPECIALTIES INC. ANY REPRODUCTION IN PART OR AS A WHOLE WITHOUT THE WRITTEN PERMISSION OF SPORTSFIELD SPECIALTIES INC. IS PROHIBITED.

BCLPPSG (CLP) BaseZone® Chain Link Post Padding, Sewn Grommet

Not To Scale

Sportsfield Specialties Inc 04122022