

**Z-Clip Wall Mount**

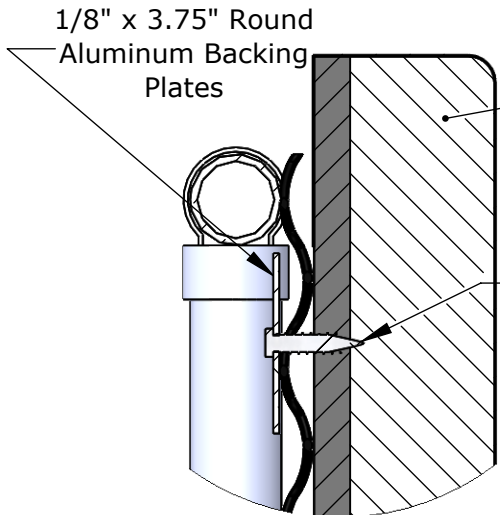
3/4" Square Edge AdvanTech Water Resistant Composite Sheathing Panel, All Sides Stained and Sealed with Exterior Grade Finish

#12 x 1" Stainless Steel Screw

Aluminum Z-Clips, Top and Bottom  
(Intermediate Row of Clips for Pads 6' and higher)

Optional Custom Digitally Printed Lettering And/Or Graphics Available

3-Year Manufacturer's Limited Product Warranty



**Chain Link Bolt and Plate Mount**

1/8" x 3.75" Round Aluminum Backing Plates

Engineered 3" High-Density Polyurethane (HDPU) Open Cell Foam

1/4" x 2" Galvanized Steel Lag Bolt

19 oz. Premium Outdoor Vinyl, High UV Resistance, Various Standard Colors Available

Part Numbers *	Size	Attachment
PFWPZ44/PFWPZ44DG	4'W x 4'L x 3.75"D	Z-Clip Wall Mount
PFWPZ46/PFWPZ46DG	4'W x 6'L x 3.75"D	Z-Clip Wall Mount
PFWPZ48/PFWPZ48DG	4'W x 8'L x 3.75"D	Z-Clip Wall Mount
PFWPZ-NSS/PFWPZDG-NSS	_ 'W x _ 'L x 3.75"D	Z-Clip Wall Mount
PFWPCL44/PFWPCL44DG	4'W x 4'L x 3.75"D	Chain Link Bolt and Plate Mount
PFWPCL46/PFWPCL46DG	4'W x 6'L x 3.75"D	Chain Link Bolt and Plate Mount
PFWPCL48/PFWPCL48DG	4'W x 8'L x 3.75"D	Chain Link Bolt and Plate Mount
PFWPCL-NSS/PFWPCLDG-NSS	_ 'W x _ 'L x 3.75"D	Chain Link Bolt and Plate Mount

\*DG Part Number Denotes Custom Digitally Printed Graphics

Final Layout and/or Graphic Rendering to be Completed upon Verification of Field Measurements

**PROPRIETARY AND CONFIDENTIAL**

THE INFORMATION CONTAINED IN THIS DRAWING IS THE SOLE PROPERTY OF SPORTSFIELD SPECIALTIES INC. ANY REPRODUCTION IN PART OR AS A WHOLE WITHOUT THE WRITTEN PERMISSION OF SPORTSFIELD SPECIALTIES INC. IS PROHIBITED.

**ProZone® Premium Field Wall Padding**

Not To Scale

Sportsfield Specialties Inc 06112025