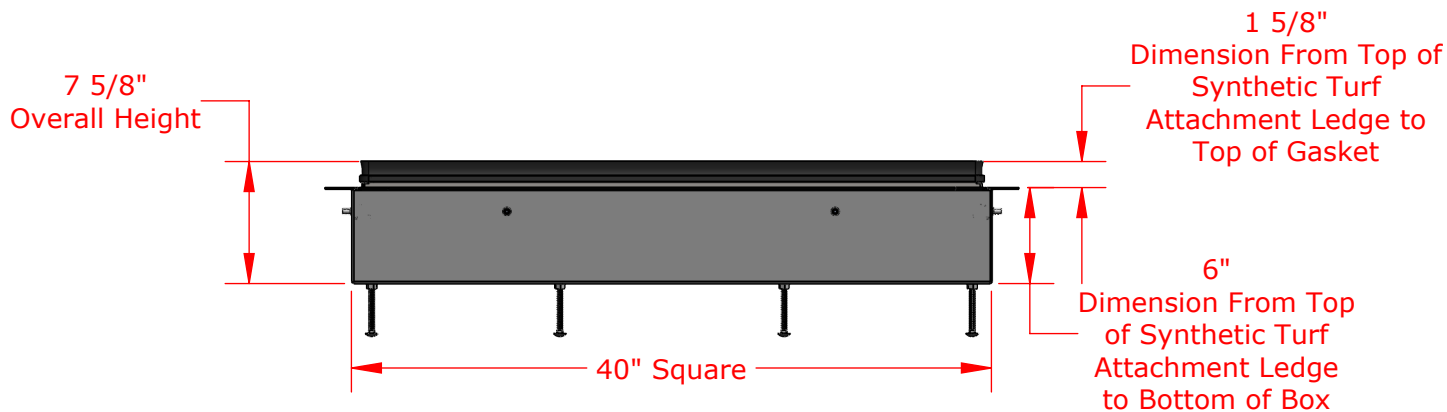
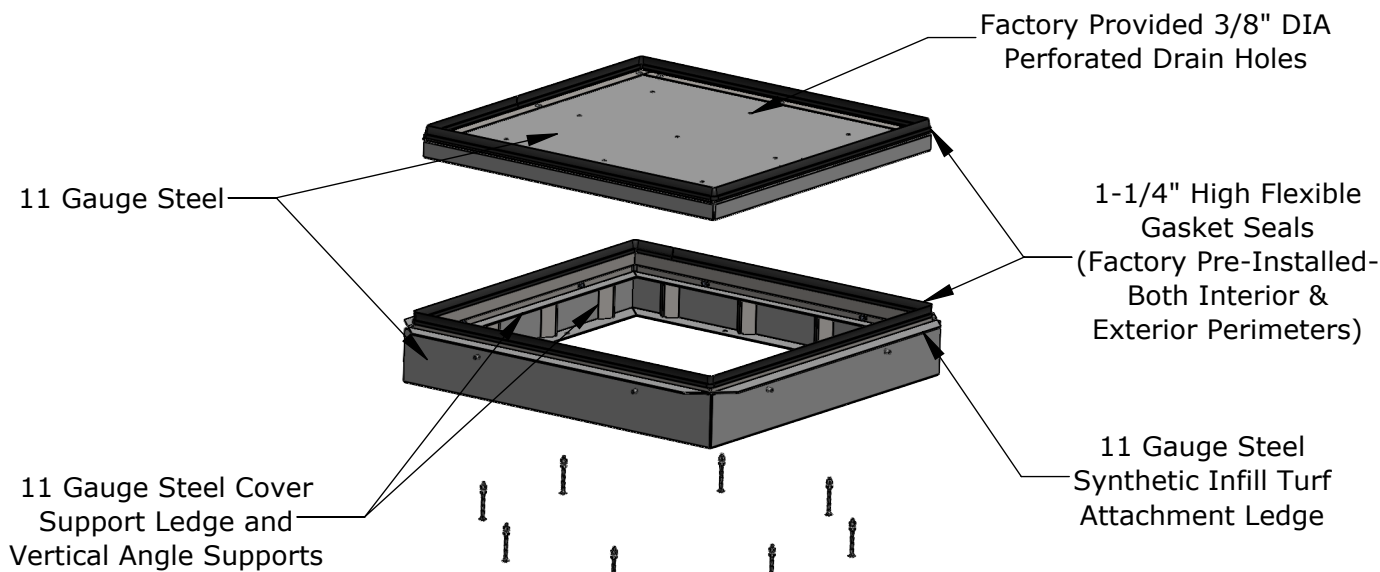
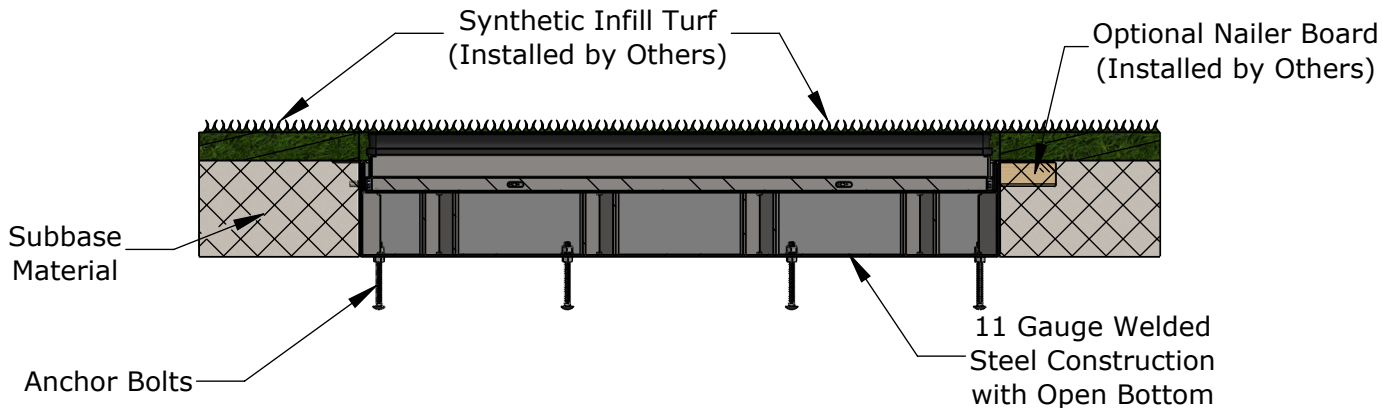


MHAFIT40 Access Frame for use with Manhole Coverings in Synthetic Turf Applications



Standard Black Powder Coated Finish

**PROPRIETARY AND CONFIDENTIAL**

THE INFORMATION CONTAINED IN THIS DRAWING IS THE SOLE PROPERTY OF SPORTSFIELD SPECIALTIES INC. ANY REPRODUCTION IN PART OR AS A WHOLE WITHOUT THE WRITTEN PERMISSION OF SPORTSFIELD SPECIALTIES INC. IS PROHIBITED.

**MHAFIT40 Manhole Access Frame with Infill Retainer System for Synthetic Turf Applications**

Not To Scale

Sportsfield Specialties Inc 07062023