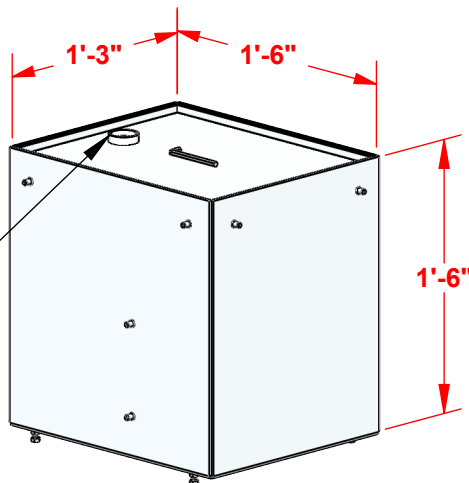


Hex Key Latch provides lid with semi-locking capability (Hex Key supplied)



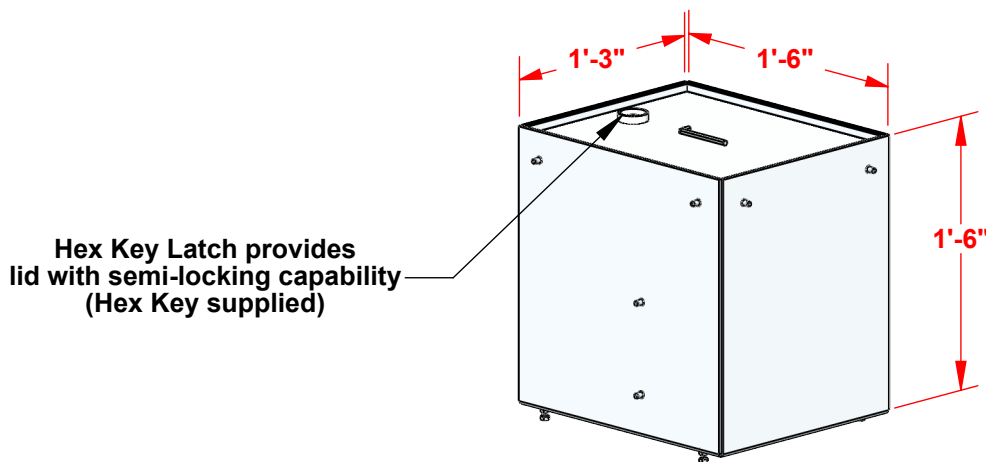
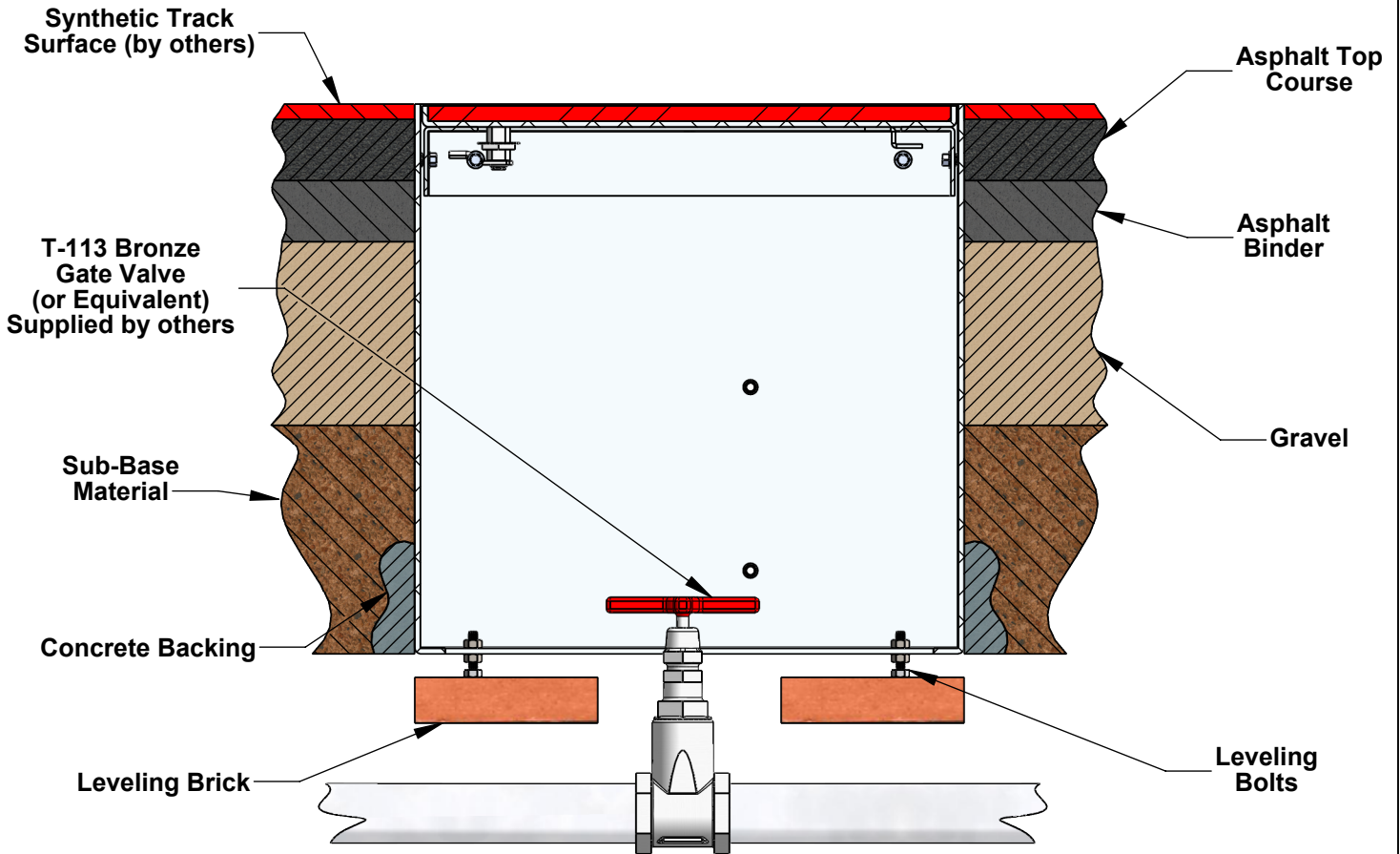
PROPRIETARY AND CONFIDENTIAL

THE INFORMATION CONTAINED IN THIS DRAWING IS THE SOLE PROPERTY OF SPORTSFIELD SPECIALTIES INC. ANY REPRODUCTION IN PART OR AS A WHOLE WITHOUT THE WRITTEN PERMISSION OF SPORTSFIELD SPECIALTIES INC. IS PROHIBITED.

TCTSQCV - TurfCool® Quick Connect Valve Box Synthetic Track Version

Not To Scale

Sportsfield Specialties Inc 105909.1-221229



PROPRIETARY AND CONFIDENTIAL

THE INFORMATION CONTAINED IN THIS DRAWING IS THE SOLE PROPERTY OF SPORTSFIELD SPECIALTIES INC. ANY REPRODUCTION IN PART OR AS A WHOLE WITHOUT THE WRITTEN PERMISSION OF SPORTSFIELD SPECIALTIES INC. IS PROHIBITED.

TCTSQC - TurfCool® Gate Valve Box Synthetic Track Version

Not To Scale

Sportsfield Specialties Inc 105909.1-221229