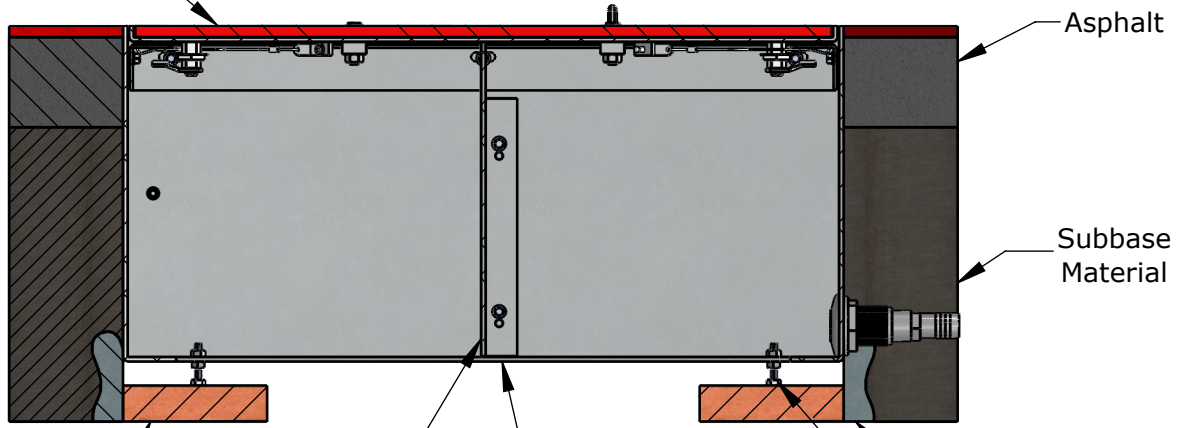


United States Patent #8,016,149, Issued September 13, 2011

Synthetic Track Surface  
 (Installed by Others)



Leveling Bricks  
 (Installed by Others)

Aluminum  
 Divider Panel

3/16" Aluminum  
 Construction with  
 Open Bottom

Asphalt

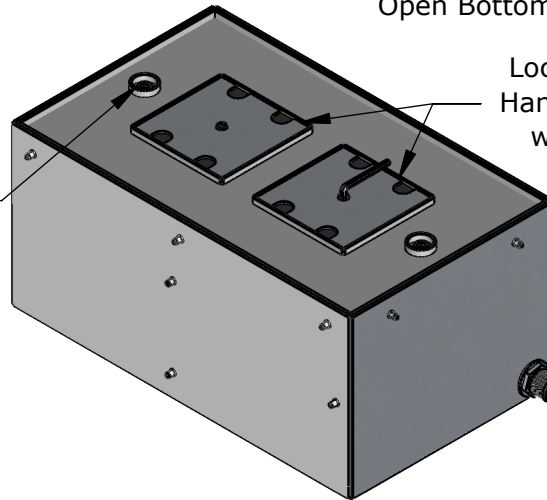
Subbase  
 Material

Concrete  
 Backing

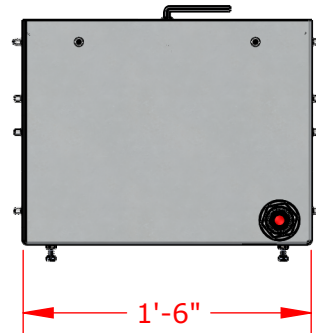
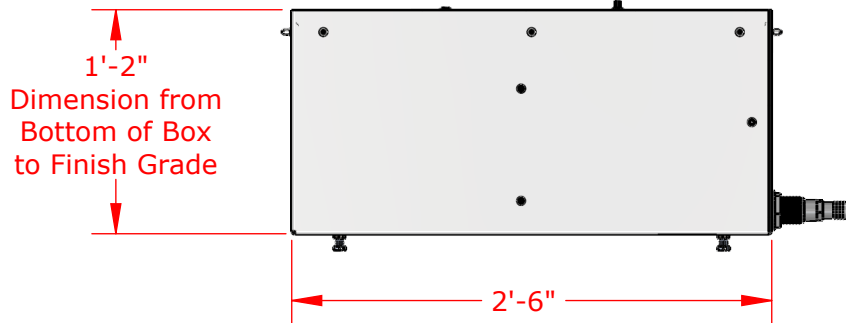
Leveling  
 Bolts

Lockable Square  
 Hand Hole Covers  
 with Hex Key

Lockable Main Aluminum Lid,  
 Recessed to Accept  
 Synthetic Track Surface



1" PVC Drain Stub For  
 Positive Connection  
 To Subsurface  
 Drainage System  
 (Installed by Others)



PROPRIETARY AND CONFIDENTIAL

THE INFORMATION CONTAINED IN THIS DRAWING IS THE SOLE PROPERTY OF SPORTSFIELD SPECIALTIES INC. ANY REPRODUCTION IN PART OR AS A WHOLE WITHOUT THE WRITTEN PERMISSION OF SPORTSFIELD SPECIALTIES INC. IS PROHIBITED.

# CBTS1830 ComBox® for Poured/Paved Track Surface Applications

Not To Scale

Sportsfield Specialties Inc 01192021