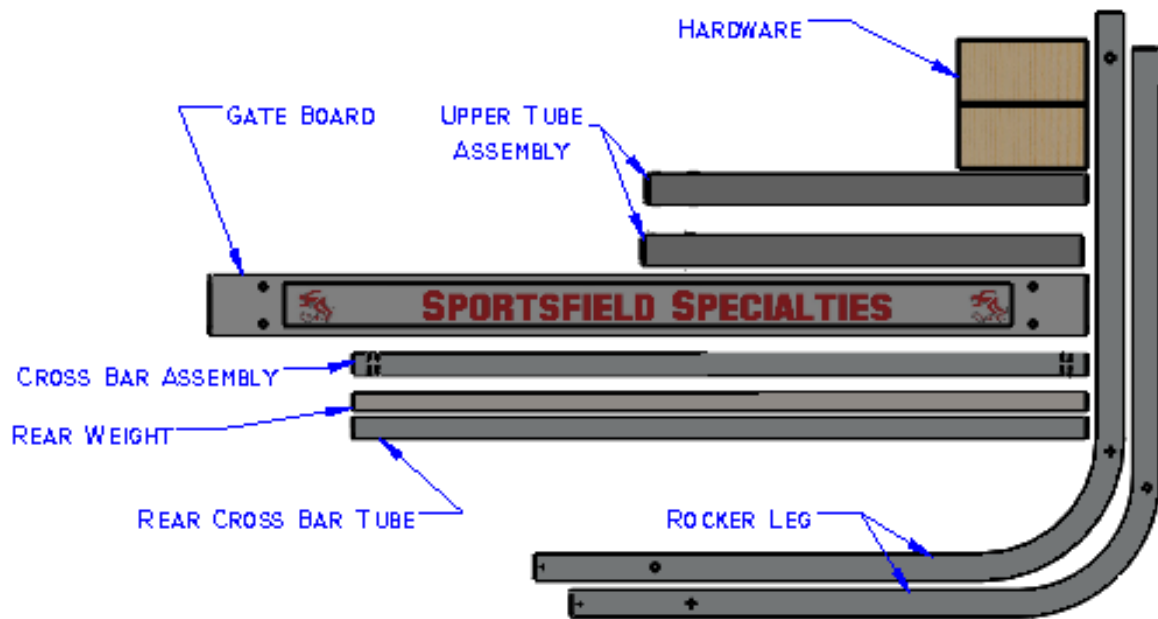




## Rocker Hurdle Installation Instructions

### For High School Model.

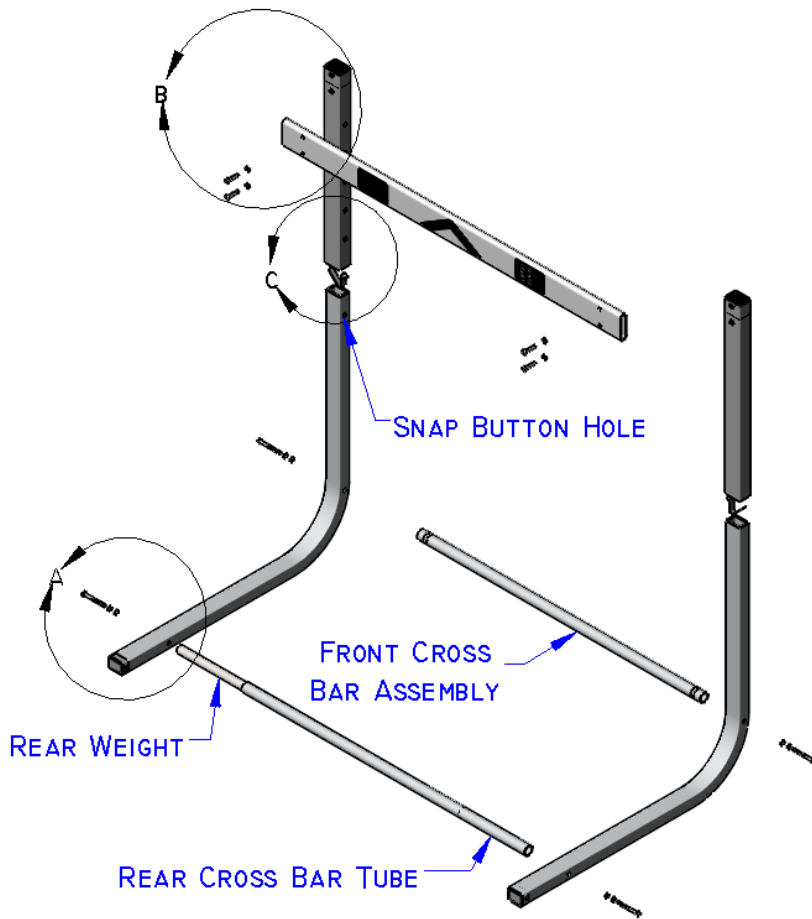


#### Hardware Kit Parts List

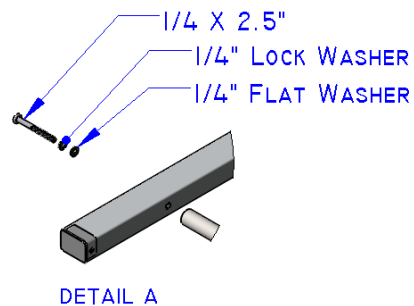
Description	QTY. Per Bag
1/4-20 x 1.25" Pan Head Screw Phillips SS	4
1/4-20 x 2.5" Round Head Screw Phillips SS	4
1/4-20 Flat Washer SS	8
Snap Button Single End Straight Leg Solid Head	2
1/4" split lock washer SS	4

## Assembly Procedure

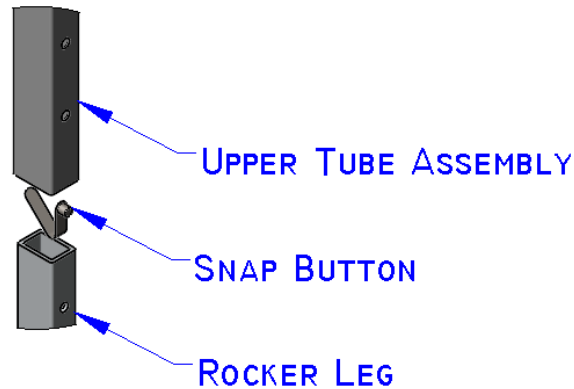
1. Install Rear weight into Rear Cross Bar Tube. *(See Image Below)*



2. Assemble Rear Weight & Cross Bar Tube assembly to Rocker Legs loosely with the open end up, and the Snap Button Hole to the inside, using 2.5" Round Head Screw, Lock Washer and Flat washer. *(See Detail A Below)*

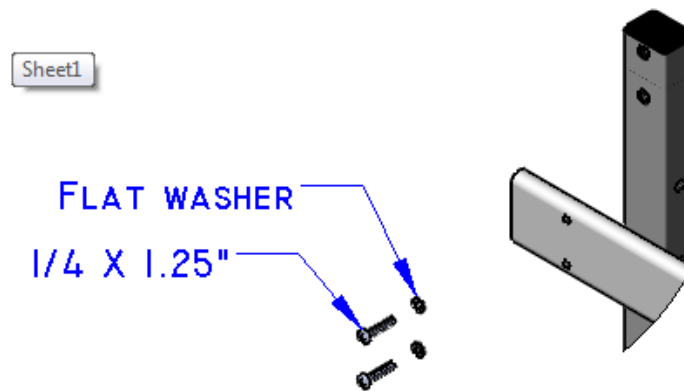


3. Install the Front Cross Bar Assembly loosely also using 2.5" Round Head Screw, Lock Washer and Flat washer.
4. Squeeze the Snap Button to fit into Rocker Leg, position Snap Button in hole on both legs. *(See Detail B Below)*



DETAIL B

5. Place Upper Tube Assembly's on rocker legs, locking in at desired height. (Threaded Inserts toward Rear Cross Bar)
6. Loosely install the Gate Board, Chevron decal facing out, with the 1.25" Pan Head Screws and Flat washers. *(See Detail C Below)*



DETAIL C

7. Tighten the Crossbar hardware then the Gate Board Hardware. Being careful not to overtighten, crushing and breaking the gate board.

## Assembly Complete

## **REPLACEMENT PARTS**

Contact Sportsfield Specialties Customer Service at 1-888-975-3343 for replacement hardware.



Sportsfield Specialties, Inc.  
P.O. Box 231  
41155 State Highway 10  
Delhi, N.Y. 13753  
Phone: 888-975-3343  
Fax: 607-746-8911  
[www.sportsfieldspecialties.com](http://www.sportsfieldspecialties.com)