



Excellence from Design to Installation

1-888-975-3343

Install Instructions

Discus and Shot Put Cages

Product No.	Product Description
DCHS	Discus Cage, High School
DCHSEA	Discus Cage with Extension Arms, High School
DCHSTEA	Tall Discus Cage with Extension Arms, High School
DCCOL	Discus Cage, College
DCCOLEA	Discus Cage with Extension Arms, College
DCCOLTEA	Tall Discus Cage with Extensions Arms, College
DCIAAFEA	Discus Cage System with Extension Arms, IAAF
DCHS7	Discus Cage, High School, Seven Pole
DCHS7EA	Discus Cage with Extension Arms, High School, Seven Pole
DCHS8	Discus Cage, High School, Eight Pole
DCHS8EA	Discus Cage with Extension Arms, High School, Eight Pole
SPC	Shot Put Cage
SPCEA	Shot Put Cage with Extension Arms
DCCOLBNS	Backup Net System, College Discus Cage
DCHSBNS	Backup Net System, High School Discus Cage
DCHS8BNS	Backup Net System, High School Discus Cage, 8 Pole
DCHS7BNS	Backup Net System, High School Discus Cage, 7 Pole
SPCBNS	Backup Net System, Shot Put Cage

Discus and Shot Put Cages Overview.....	ID-00081
GS430 Ground Sleeve Alignment Notch Detail.....	ID-00052
E-0018-HD31 Hardware Kit, Standard, Single Cage Pole.....	ID-00212
E-0018-HD39 Hardware Kit, Standard, Single Cage Pole with Extension Arm.....	ID-00213
E-0018-HD41 Hardware Kit, Tall, Single Cage Pole with Extension Arm.....	ID-00214
Optional Backup Net System.....	ID-00148
Maintenance and Disassembly of Cage System.....	ID-00082

Based on the cage configuration desired, refer to one of the following documents for the placement of the ground sleeves and net anchors.

- High School Discus Cage Ground Sleeve Layout
- College Discus Cage Ground Sleeve Layout
- DCIAAFEAF Discus Cage Ground Sleeve Layout
- DCHS7 Discus Cage Ground Sleeve Layout
- DCHS8 Discus Cage Ground Sleeve Layout
- Shot Put Cage Ground Sleeve Layout

Note that EA (Extension Arm) systems replace the need for net anchors with Extension Arms that hinges for base net attachment.

Each cage should include the appropriate hardware kit per below based on height of pole (Standard or Tall), quantity of poles, and net anchoring style (expansion anchor or extension arm).

	# of Poles	Hardware Kit Needed
DCHS	6	E-0018-HD31 Hardware Kit, Standard, Single Cage Pole
DCHSEA	6	E-0018-HD39 Hardware Kit, Standard, Single Cage Pole with Extension Arm
DCHSTEAF	6	E-0018-HD41 Hardware Kit, Tall, Single Cage Pole with Extension Arm
DCHS7	7	E-0018-HD31 Hardware Kit, Standard, Single Cage Pole
DCHS7EA	7	E-0018-HD39 Hardware Kit, Standard, Single Cage Pole with Extension Arm
DCHS8	8	E-0018-HD31 Hardware Kit, Standard, Single Cage Pole
DCHS8EA	8	E-0018-HD39 Hardware Kit, Standard, Single Cage Pole with Extension Arm
DCCOL	8	E-0018-HD31 Hardware Kit, Standard, Single Cage Pole
DCCOLEAF	8	E-0018-HD39 Hardware Kit, Standard, Single Cage Pole with Extension Arm
DCCOLTEAF	8	E-0018-HD41 Hardware Kit, Tall, Single Cage Pole with Extension Arm
DCIAAFEAF	9	E-0018-HD41 Hardware Kit, Tall, Single Cage Pole with Extension Arm
SPC	4	E-0018-HD31 Hardware Kit, Standard, Single Cage Pole
SPCEAF	4	E-0018-HD39 Hardware Kit, Standard, Single Cage Pole with Extension Arm

TITLE:
Discus and Shot Put Cages Overview

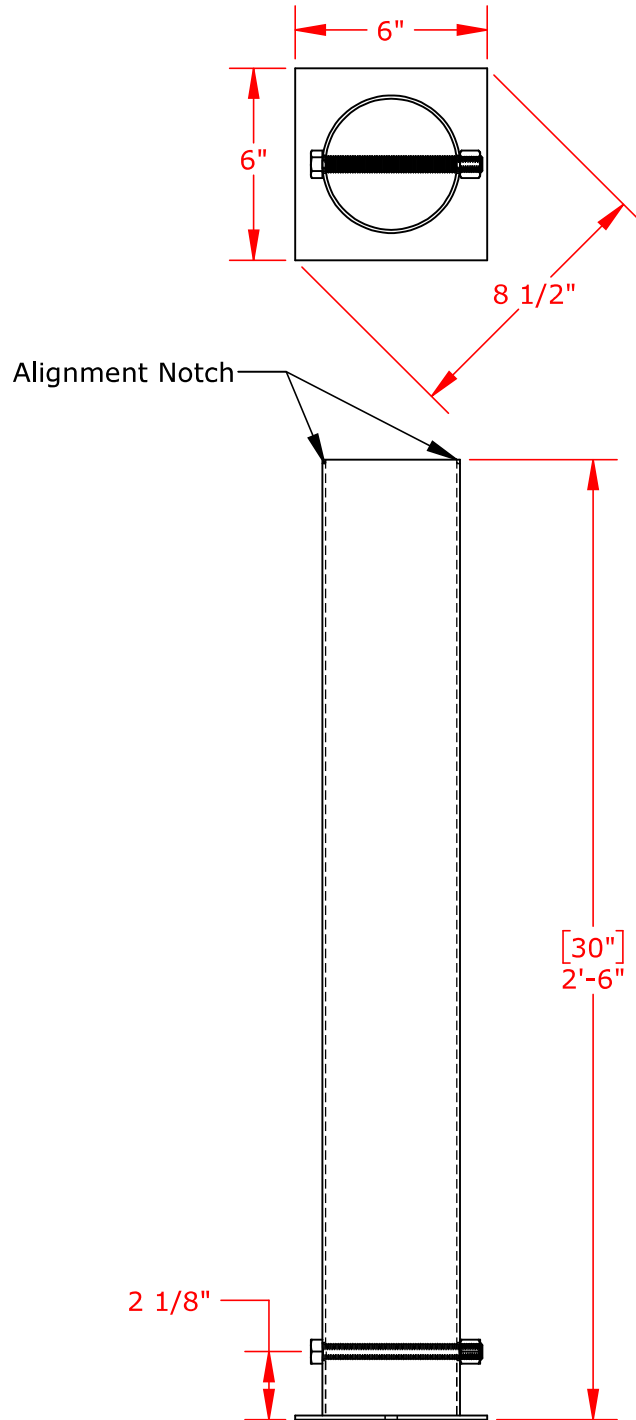
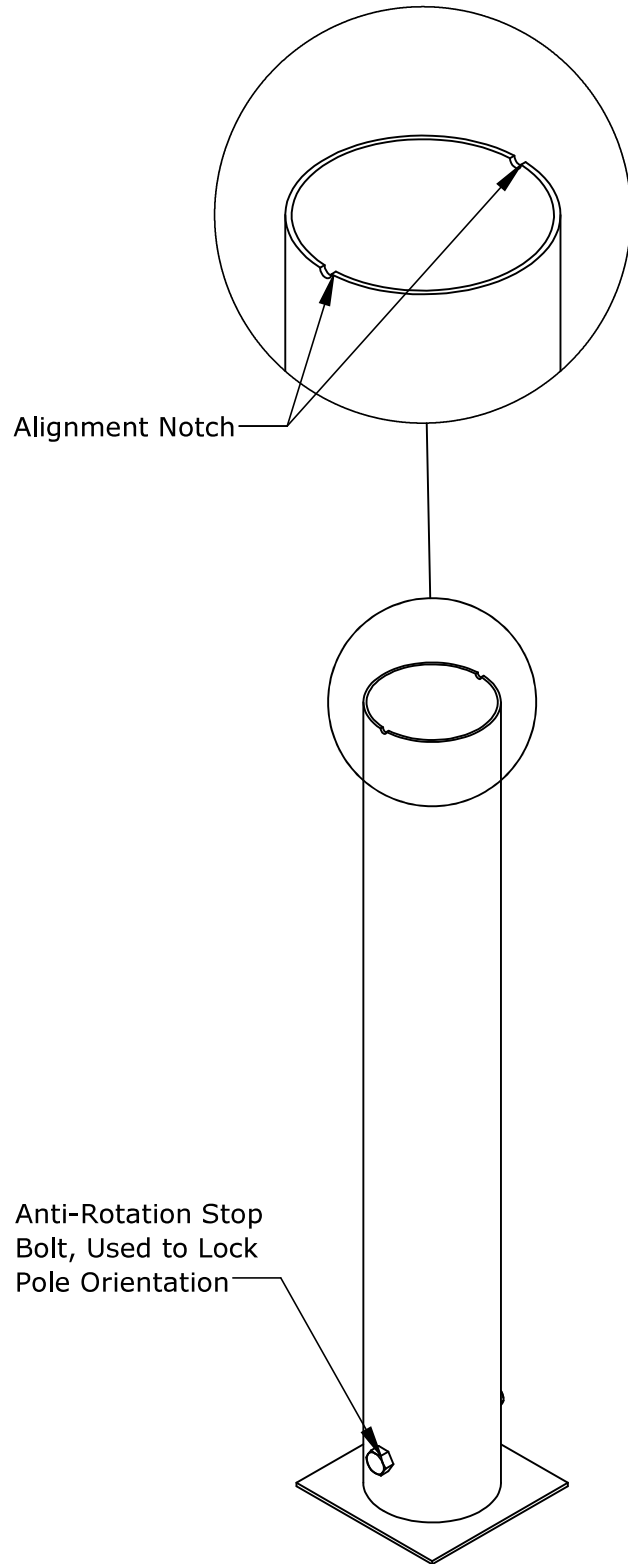
DWG NO:
ID-00081

SHEET 1 OF 1

Stop bolt/alignment notches must be installed in correct position to allow for proper orientation of upright pole



GSC4P Ground Sleeve Cap,
Provided for Use When Poles
Are Removed For Storage



TITLE:

GS430 Ground Sleeve
Alignment Notch Detail

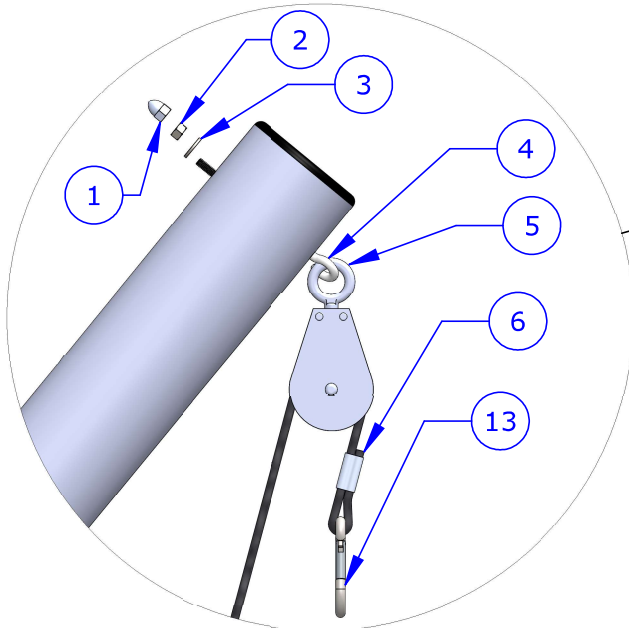
DWG NO:

ID-00052

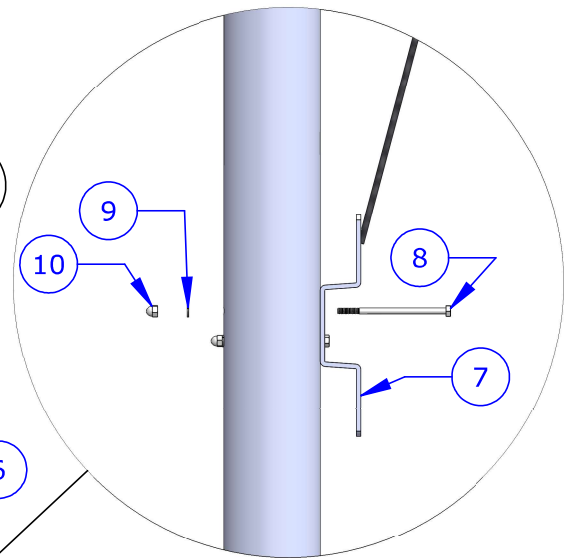
SHEET 1 OF 1

Step 1

Install tether and rope cleat hardware prior to inserting pole into ground sleeve.



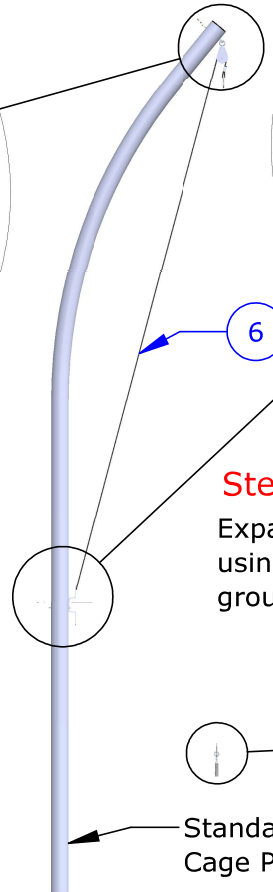
PULLEY AND TETHER DETAIL



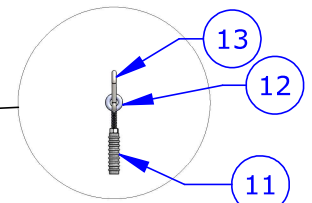
ROPE CLEAT DETAIL

Step 2

Expansion anchor is for net attachment using spring hook and eye bolt. Refer to ground sleeve layout plan for installation.



Standard 14' Arc
Cage Pole



ANCHOR DETAIL

ITEM NO.	QTY.	ERP Part Number	DESCRIPTION
1	1	107-HXN-0021	Nut, 5/16-18 S.S. High Crown Acorn
2	1	107-HXN-0023	5/16-18 S.S. Hex Nut
3	1	110-FLW-0007	5/16 S.S. FLAT WASHER
4	1	100-EYE-0010	5/16-18 x 4.625" Long Open Eye Bolt
5	1	PURCHP-0026	1/4" Swivel Block Pulley
6	1	TETHER-33	33' Long Tether
7	1	E-1000-0013	Steel Rope Cleat
8	2	101-HHC-0025	1/4-20 x 4.5" Hex Head Bolt, 304 SS
9	2	110-SLW-0002	1/4 SS LOCK WASHER
10	2	107-HXN-0006	1/4-20 S.S. Low Crown Acorn Nut
11	1	PURCHP-0161	3/8-16 Two-Way Expansion Anchor
12	1	100-EYE-0002	3/8-16 x 2-1/2" CLOSED Eye Bolt with Nut, 2-1/8" Thread, Zinc-plated Steel
13	2	PURCHP-0009	5/16" Spring Hook

TITLE: **E-0018-HD31 Hardware Kit,
Standard, Single Cage Pole**

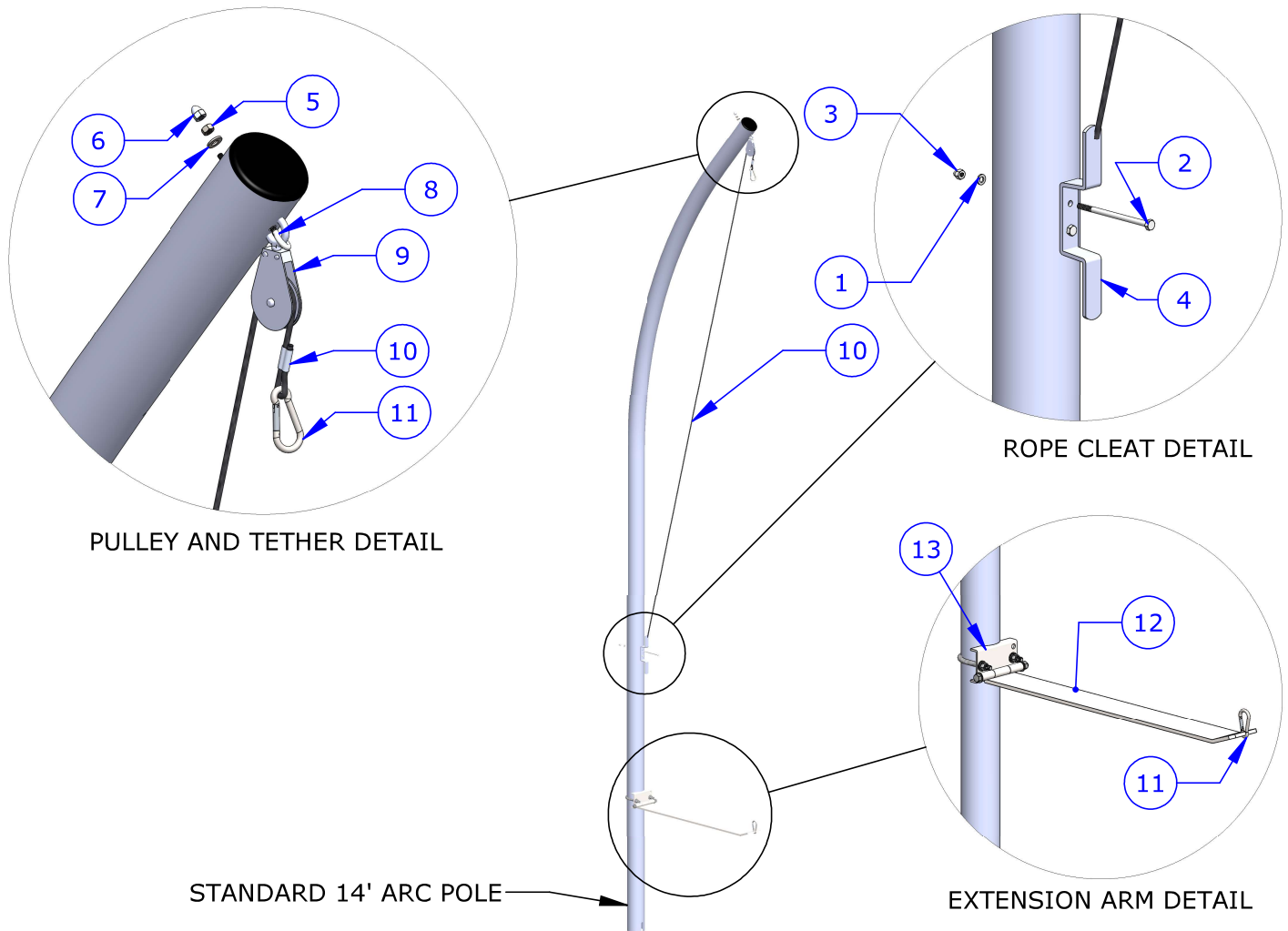
DWG NO:

ID-00212

SHEET 1 OF 1

Step 1

Install tether and rope cleat hardware prior to inserting pole into ground sleeve.



ITEM NO.	QTY.	ERP Part Number	DESCRIPTION
1	2	110-SLW-0002	1/4 SS LOCK WASHER
2	2	101-HHC-0025	1/4-20 x 4.5" Hex Head Bolt, 304 SS
3	2	107-HXN-0006	1/4-20 S.S. Low Crown Acorn Nut
4	1	E-1000-0013	Steel Rope Cleat
5	1	107-HXN-0023	5/16-18 S.S. Hex Nut
6	1	107-HXN-0021	Nut, 5/16-18 S.S. High Crown Acorn
7	1	110-FLW-0007	5/16 S.S. FLAT WASHER
8	1	100-EYE-0010	5/16-18 x 4.625" Long Open Eye Bolt
9	1	PURCHP-0026	1/4" Swivel Block Pulley
10	1	TETHER-33	33' Long Tether
11	2	PURCHP-0009	5/16" Spring Hook
12	1	E-1000-S004	Stabilizer Extension Arm, Hinged, 36"L
13	1	E-1000-S053	Mount, Stabilizer Extension Arm, Hinged, 36"L, with Hardware

TITLE: E-0018-HD39 Hardware Kit, Standard, Single Cage Pole with Extension Arm

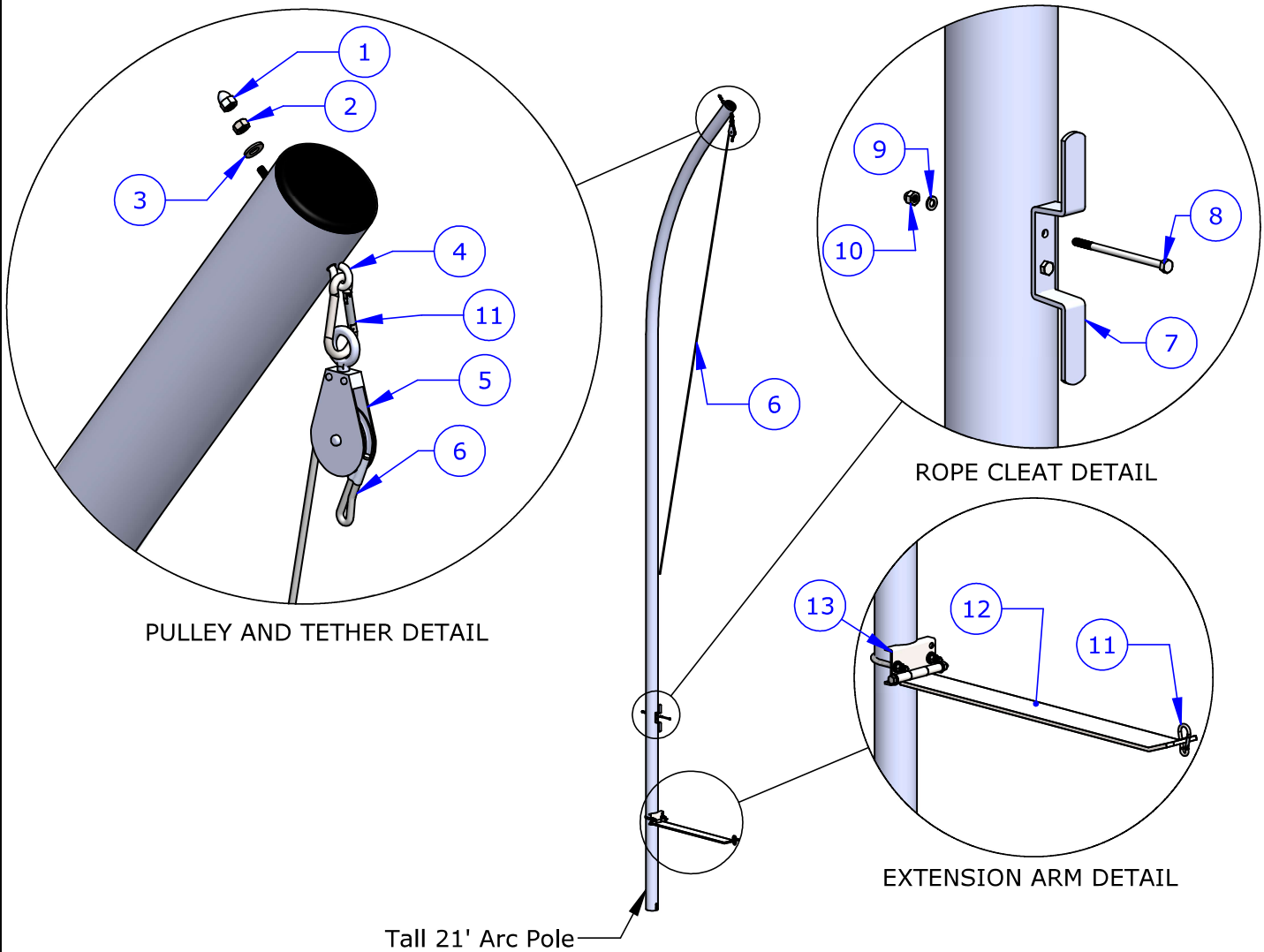
DWG NO:

ID-00213

SHEET 1 OF 1

Step 1

Install tether and rope cleat hardware prior to inserting pole into ground sleeve.



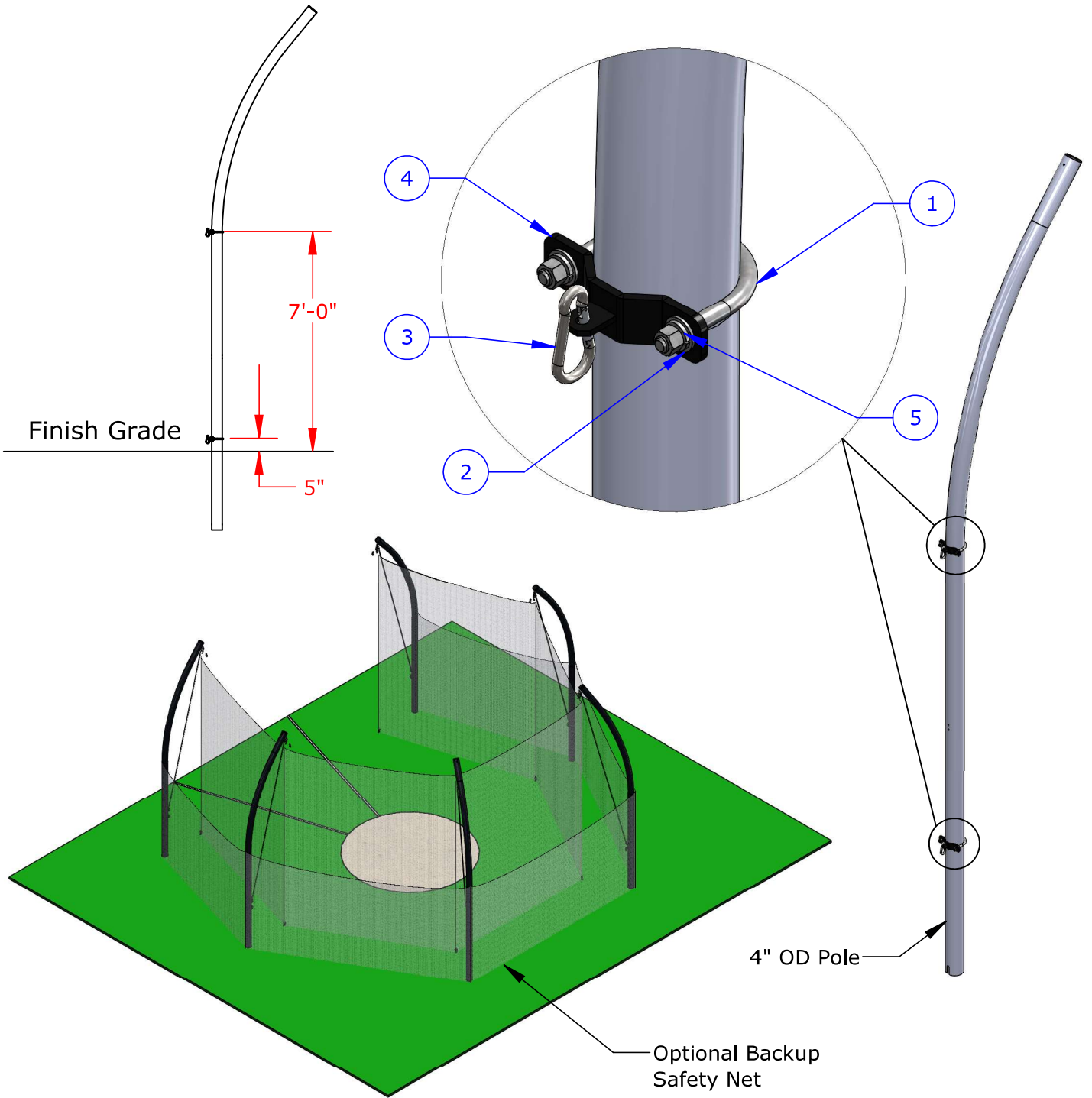
ITEM NO.	QTY.	SAP Part Number	DESCRIPTION
1	1	107-HXN-0021	Nut, 5/16-18 S.S. High Crown Acorn
2	1	107-HXN-0023	5/16-18 S.S. Hex Nut
3	1	110-FLW-0007	5/16 S.S. FLAT WASHER
4	1	100-EYE-0010	5/16-18 x 4.625" Long Open Eye Bolt
5	1	PURCHP-0026	1/4" Swivel Block Pulley
6	1	Tether-45	45' Long Tether
7	1	E-1000-0013	Steel Rope Cleat
8	2	101-HHC-0025	1/4-20 x 4.5" Hex Head Bolt, 304 SS
9	2	110-SLW-0002	1/4 SS LOCK WASHER
10	2	107-HXN-0006	1/4-20 S.S. Low Crown Acorn Nut
11	2	PURCHP-0009	5/16" Spring Hook
12	1	E-1000-S004	Stabilizer Extension Arm, Hinged, 36"L
13	1	E-1000-S053	Mount, Stabilizer Extension Arm, Hinged, 36"L, with Hardware

TITLE: E-0018-HD41 Hardware Kit, Tall, Single Cage Pole with Extension Arm

DWG NO:

ID-00214

SHEET 1 OF 1



ITEM NO.	QTY.	SAP Part Number	DESCRIPTION
1	2	102-UBOLT-0001	Galv. U-Bolt, 1/2-13 x 4" x 4.5" with 1-1/2" Thread Length, includes (2) Galv. Hex Nuts
2	4	111-FLW-0001	1/2 Galv. FLAT WASHER
3	2	PURCHP-0009	5/16" Spring Hook
4	2	E-0018-S033	4" OD Pole BUNET Bracket
5	4	111-SLW-0001	1/2-13 GALV. LOCK WASHER

TITLE: **Optional Backup Net System**

DWG NO: **ID-00148**

SHEET 1 OF 1

Sportsfield Specialties, Inc. strongly recommends the removal of all nets prior to exposure to winter weather, including snow and/or ice storms. Whenever possible, the nets should also be lowered prior to any extreme wind events. Removal/Lowering of the nets will mitigate any unforeseen damage to the poles, nets and/or attachment hardware. Storing nets in a dry, pest free location will help extend the life of the nets. Sportsfield Specialties, Inc. will not be held liable or assume responsibility for any damage to the nets, poles and/or corresponding attachment hardware if the nets are not removed/lowered prior to the above described wind and/or weather events.

Cage nets and poles can easily be dismantled and stored if desired.

Step 1

Unclip the spring hooks from the net.

Step 2

Remove the poles from the ground sleeves.

Step 3

Insert the ground sleeve cap into the hole left behind by the removal of the pole from the ground sleeve.

Step 4

If desired, remove all pole hardware and store in single container.

Step 5

Fold the net and store in a clean, dry location

TITLE:

Maintenance and Disassembly of
Cage System

DWG NO:

ID-00082

SHEET 1 OF 1