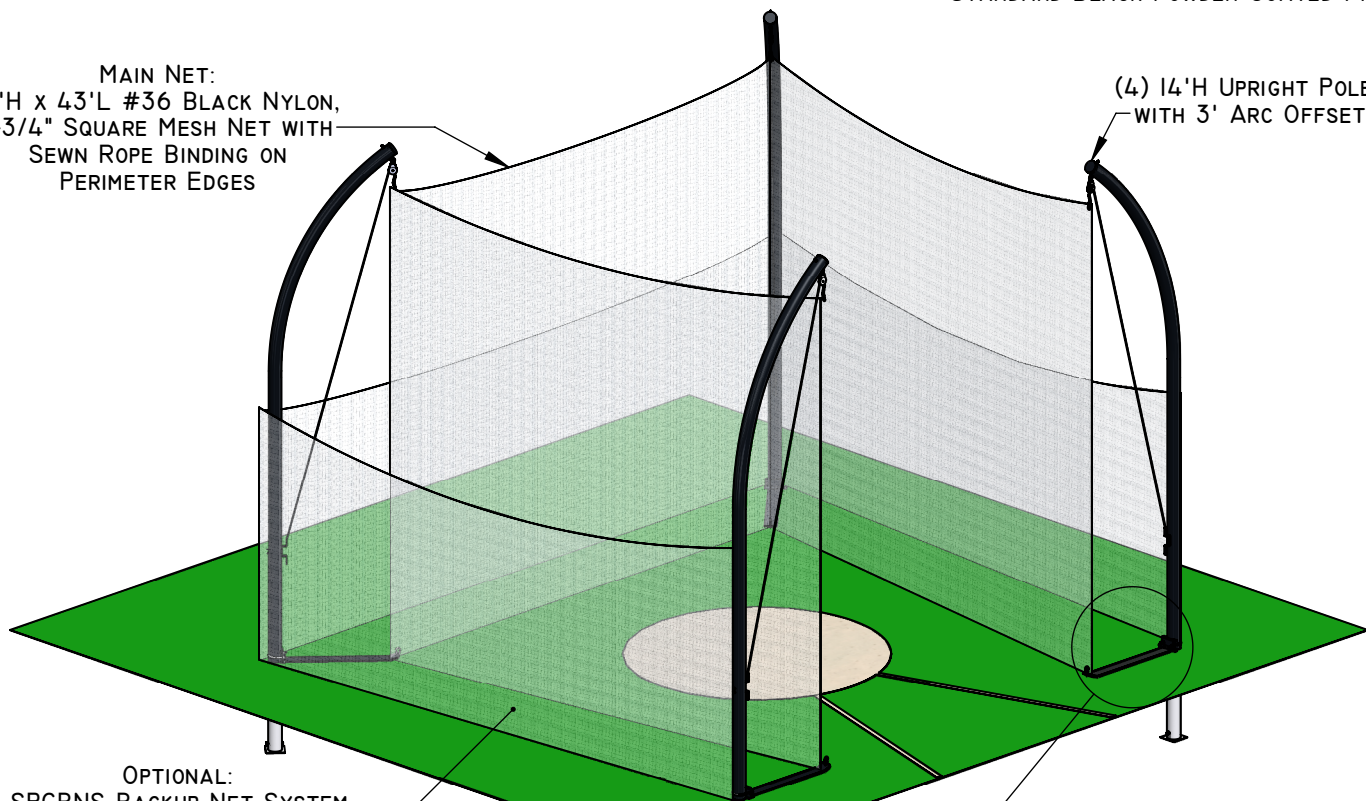


STANDARD BLACK POWDER COATED FINISH

MAIN NET:
13'H x 43'L #36 BLACK NYLON,
1-3/4" SQUARE MESH NET WITH
SEWN ROPE BINDING ON
PERIMETER EDGES

(4) 14'H UPRIGHT POLES
WITH 3' ARC OFFSET

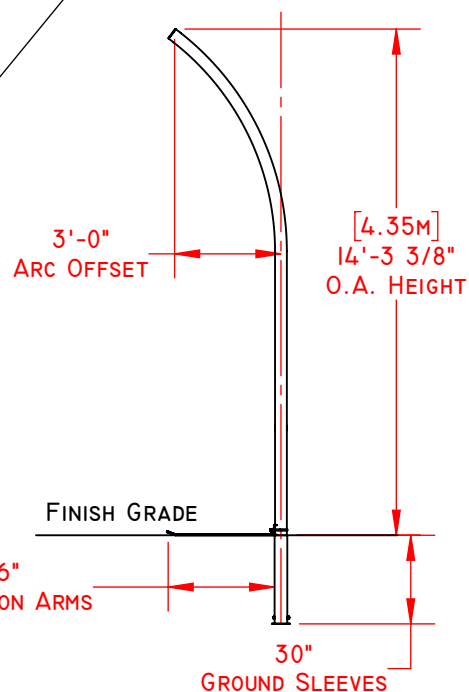
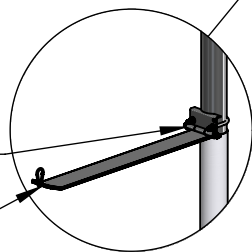
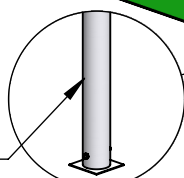


OPTIONAL:
SPCBNS BACKUP NET SYSTEM,
7'H x 53'L, #36 BLACK NYLON, 1-
3/4" SQUARE MESH NET WITH SEWN
ROPE BINDING ON PERIMETER EDGES

(4) 30" GROUND SLEEVES
BELOW FINISH GRADE

NET STABILIZING EXTENSION
ARMS HINGE UPWARDS FOR
GROUNDS MAINTENANCE

MAIN NET ATTACHES TO SPRING
HOOK ON (4) HINGED NET
STABILIZER EXTENSION ARMS



SPORTSFIELD SPECIALTIES, INC. STRONGLY RECOMMENDS THE REMOVAL OF ALL NETS PRIOR TO EXPOSURE TO WINTER WEATHER, INCLUDING SNOW AND/OR ICE STORMS. WHENEVER POSSIBLE, THE NETS SHOULD ALSO BE LOWERED PRIOR TO ANY EXTREME WIND EVENTS. REMOVAL/LOWERING OF THE NETS WILL MITIGATE ANY UNFORESEEN DAMAGE TO THE POLES, NETS AND/OR ATTACHMENT HARDWARE. STORING NETS IN A DRY, PEST FREE LOCATION WILL HELP EXTEND THE LIFE OF THE NETS. SPORTSFIELD SPECIALTIES, INC. WILL NOT BE HELD LIABLE OR ASSUME RESPONSIBILITY FOR ANY DAMAGE TO THE NETS, POLES AND/OR CORRESPONDING ATTACHMENT HARDWARE IF THE NETS ARE NOT REMOVED/LOWERED PRIOR TO THE ABOVE DESCRIBED WIND AND/OR WEATHER EVENTS.

PROPRIETARY AND CONFIDENTIAL

THE INFORMATION CONTAINED IN THIS DRAWING IS THE SOLE PROPERTY OF SPORTSFIELD SPECIALTIES INC. ANY REPRODUCTION IN PART OR AS A WHOLE WITHOUT THE WRITTEN PERMISSION OF SPORTSFIELD SPECIALTIES INC. IS PROHIBITED.

**SPCEA (TFSPCCOLL-EXT) SHOT PUT CAGE WITH HINGED NET
STABILIZER EXTENSION ARMS WITH OPTIONAL BACKUP NET SYSTEM**

NOT TO SCALE

SPORTSFIELD SPECIALTIES INC 12192018