

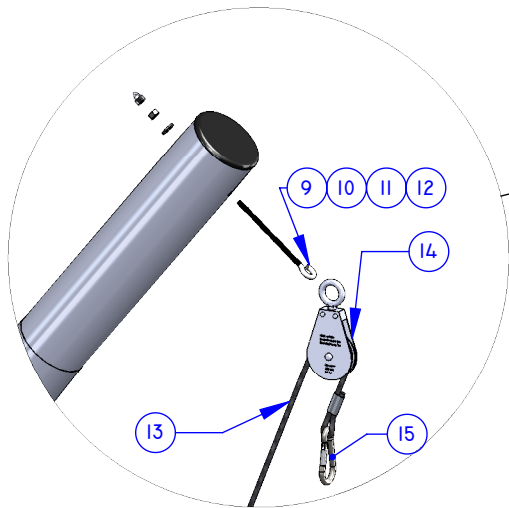


1-888-975-3343

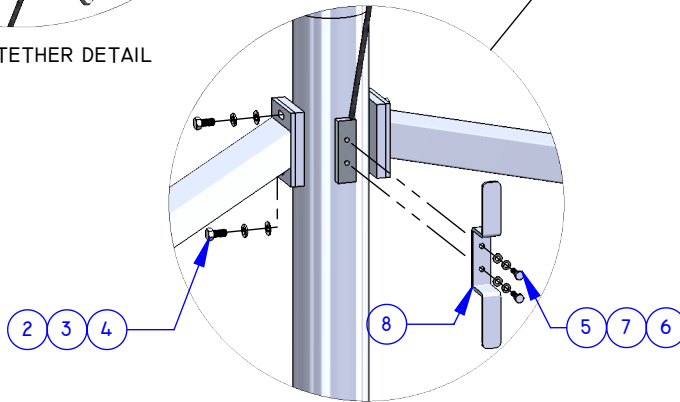
Installation Guide

Product No.	Product Description
SPCPT	Shot Put Cage System, Portable

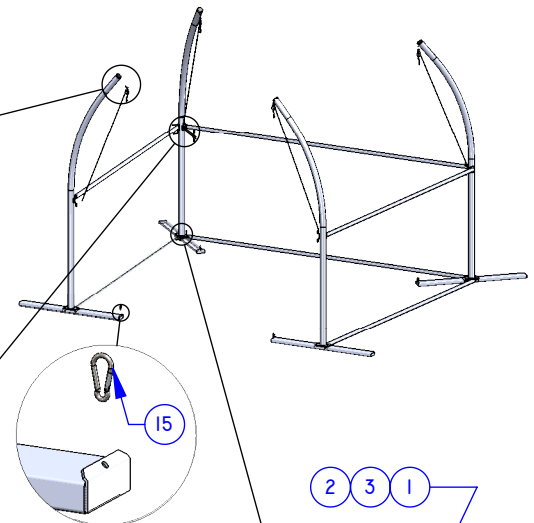
BILL OF MATERIAL (BOM) REFERENCE



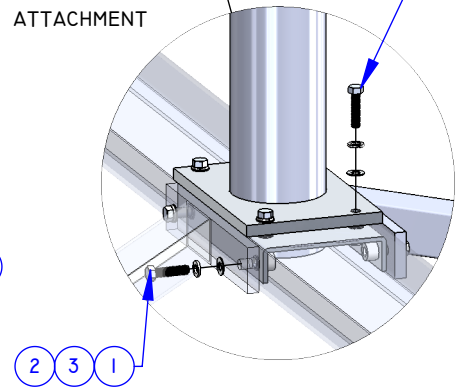
PULLEY AND TETHER DETAIL



UPPER SUPPORT BAR AND ROPE CLEAT HARDWARE



LOWER NET ATTACHMENT



GROUND SUPPORT BAR HARDWARE

INSTALL NOTES:

1. INSTALL TETHER AND ROPE CLEAT HARDWARE
2. MOUNT EACH POLE TO A POLE BASE MAKING SURE THE LOWER NET ATTACHMENT HOLE AND SPRING HOOK IS DIRECTLY BELOW THE PULLEY AND TETHER. A SPRING HOOK IS USED AT THE BASE TO CLIP TO THE BOTTOM OF THE NET
3. REFER TO THE POLE SET BOM REFERENCE TO ENSURE THE LOCATION OF THE LEFT, RIGHT, AND DUAL TAP BLOCK POLE PLACEMENT
4. REFER TO THE SUPPORT BAR SET BOM REFERENCE TO ENSURE THE CORRECT PLACEMENT OF THE GROUND AND SUPPORT BARS
5. ATTACH THE GROUND SUPPORT BARS TO THE POLE BASES AND THE UPPER SUPPORT BARS TO THE WELDED BLOCK ON THE POLES
6. LOWER THE TETHER AND CLIP THE TOP OF THE NET USING THE SPRING HOOK

ITEM NO.	QTY.	DRAWING NUMBER	SAP PART NUMBER	DESCRIPTION
1	28	101-HHC3_8-16X1.5-SS	101-HHC-0032	3/8-16 x 1.5" Hex Head Bolt, 304 SS
2	40	110-FLW3_8-SS	110-FLW-0005	3/8 S.S. FLAT WASHER
3	40	110-SLW3_8-SS	110-SLW-0006	3/8-16 S. S. LOCK WASHER
4	12	101-HHC3_8-16X.75-SS	101-HHC-0030	3/8-16 x .75" Hex Head Bolt, 304 SS
5	8	101-HHCL_4-20X.750-SS	101-HHC-0017	1/4-20 x .75" Hex Head Bolt, 304 SS
6	8	110-FLWI_4-SS	110-FLW-0002	1/4" S.S. FLAT WASHER
7	8	110-SLWI_4-SS	110-SLW-0002	1/4 SS LOCK WASHER
8	4	ROPE CLEAT	E-1000-0013	STEEL ROPE CLEAT
9	4	100-EYE5_16-18X4.625-OPEN-STL	100-EYE-0010	5/16-18 x 4.625" LONG OPEN EYE BOLT
10	4	110-FLW5_16-SS	110-FLW-0007	5/16 S.S. FLAT WASHER
11	4	107-HXN5_16-18-SS	107-HXN-0023	5/16-18 S.S. HEX NUT
12	4	107-HXN5_16-18ACORN-HC-SS	107-HXN-0021	NUT, 5/16-18 S.S. HIGH CROWN ACORN
13	4	TETHER-33	TETHER-33	33' LONG TETHER
14	4	113-BLOCKWR300-02548	PURCHP-0026	1/4" SWIVEL BLOCK PULLEY
15	8	113-209860	PURCHP-0009	5/16" SPRING HOOK

ERP Part No.
E-0018-HD30

TITLE:
Hardware Kit, Shot Put Cage,
Portable

DWG. NO.
SPCPT-HD

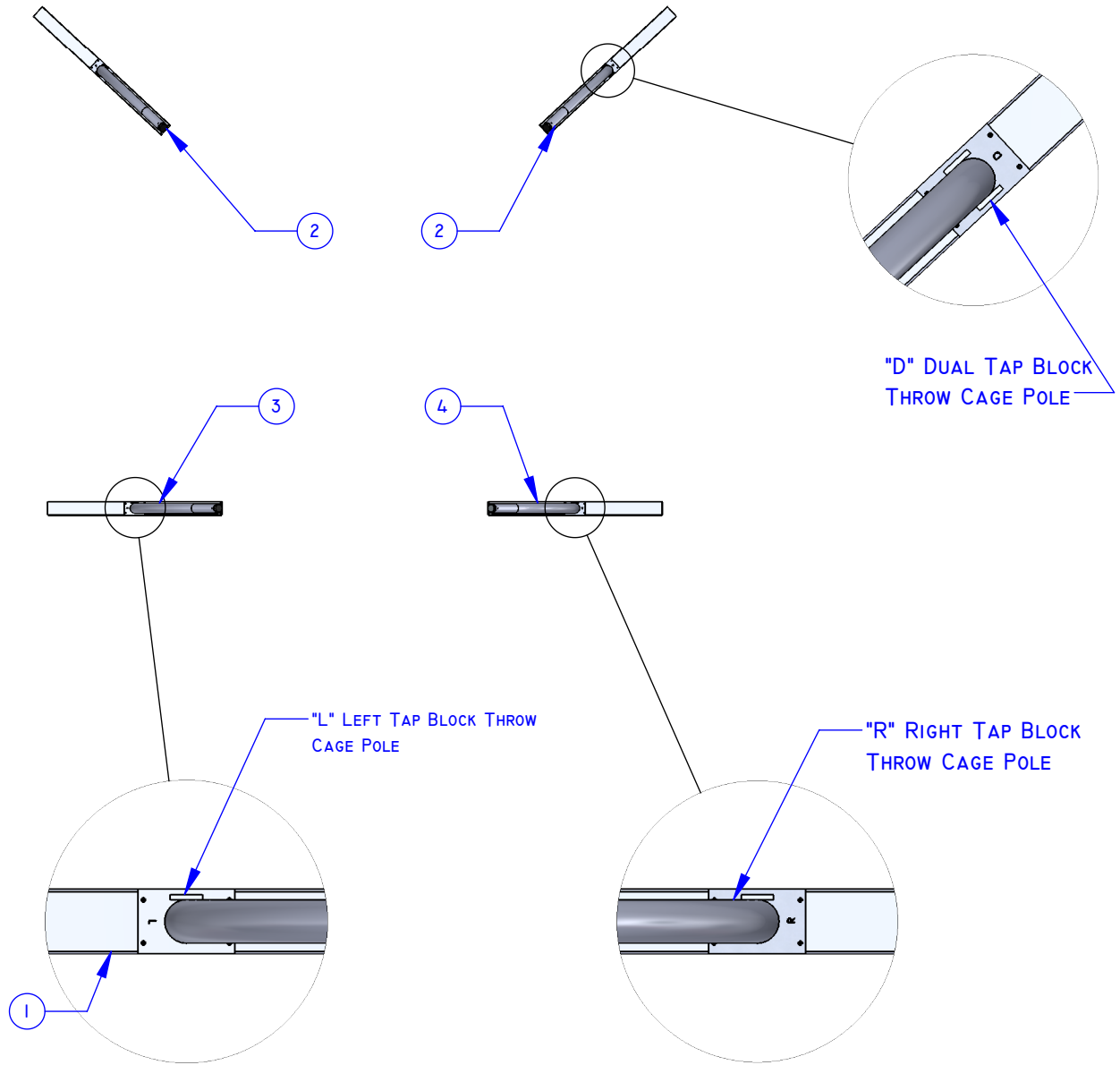
REV
C

DRAWN BY
B. DREHER

Revision Date
10/19/2018

SHEET 1 OF 1

BILL OF MATERIAL (BOM) REFERENCE



ITEM NO.	QTY.	DRAWING NUMBER	SAP PART NUMBER	DESCRIPTION	PACKAGING INFO
1	4	DC-PT-BASE	UNDEFINED	BASE, 4" O.D. PORTABLE POLE	PLASTIC #1 THRU #4 ON SPCPT PALLET
2	2	DC-PT-POLE-DUAL	UNDEFINED	14' DUAL TAP BLOCK POLE, PORTABLE THROW CAGE	PLASTIC #5 THRU #8
3	1	DC-PT-POLE-LEFT	UNDEFINED	14' LEFT TAP BLOCK POLE, PORTABLE THROW CAGE	
4	1	DC-PT-POLE-RIGHT	UNDEFINED	14' RIGHT TAP BLOCK POLE, PORTABLE THROW CAGE	

ERP Part No.
E-0018-S042

TITLE:
Set of 4 Poles, Shot Put Cage,
Portable

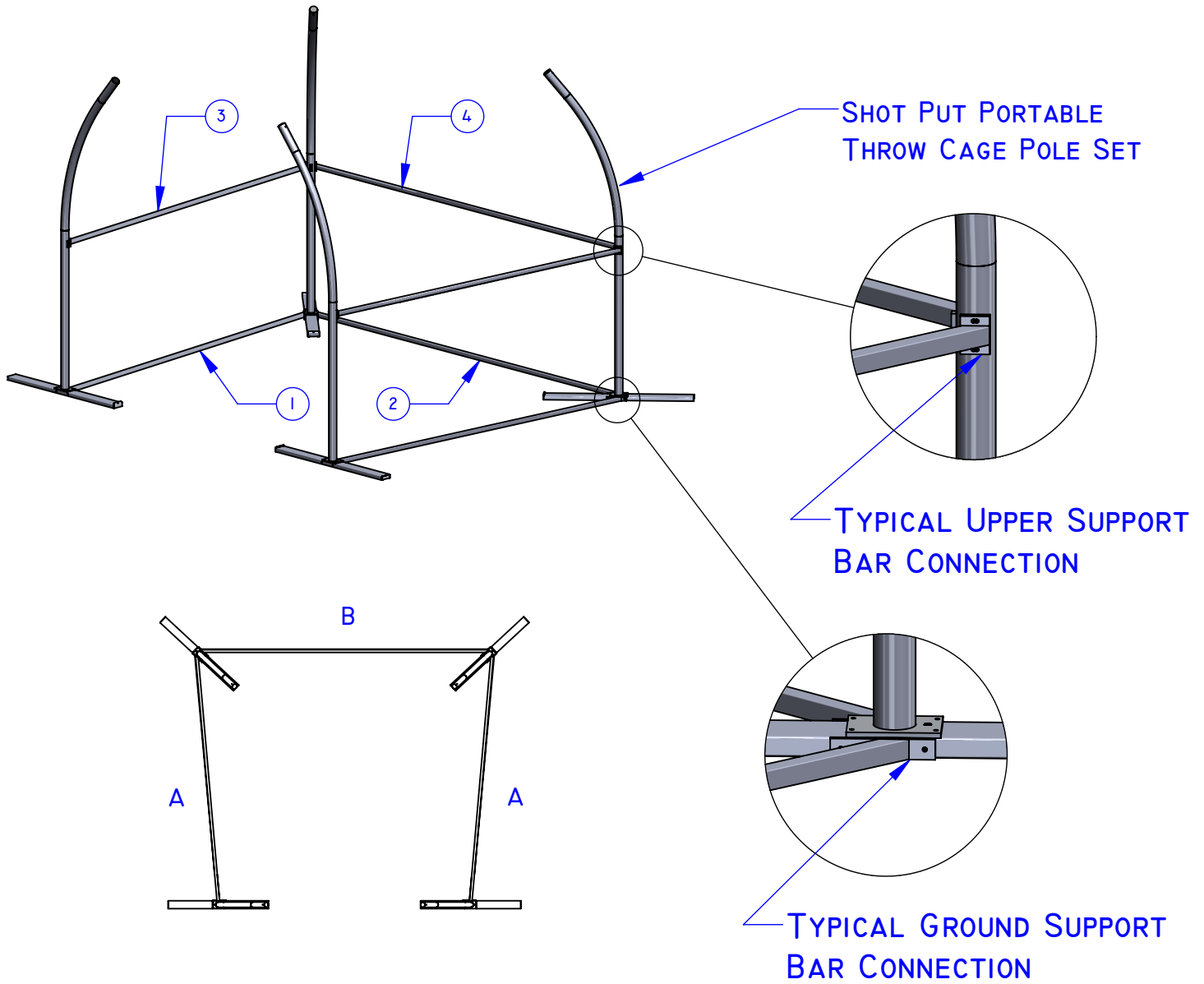
DWG. NO.
SPCPT-POLE SET

DRAWN BY: B. DREHER
Revision Date: 11/05/2018

REV
C

SHEET 1 OF 1

BILL OF MATERIAL (BOM) REFERENCE



NOTE: TWO SUPPORT BARS PER LOCATION
I - GROUND SUPPORT BAR
I - UPPER SUPPORT BAR

ITEM NO.	QTY.	DRAWING NUMBER	SAP PART NUMBER	DESCRIPTION	REFERENCE LENGTH	LABEL	PACKAGING INFO
1	2	SPCPT-GB-A	UNDEFINED	GROUND SUPPORT BAR A	189.233"	GSB-A	PLASTIC #1 THRU #3 ON SPCPT PALLET
2	1	SPCPT-GB-B	UNDEFINED	GROUND SUPPORT BAR B	209.350"	GSB-B	
3	2	SPCPT-SB-A	UNDEFINED	UPPER SUPPORT BAR A	188.112"	USB-A	PLASTIC #4 THRU #6 ON SPCPT PALLET
4	1	SPCPT-SB-B	UNDEFINED	UPPER SUPPORT BAR B	219.557"	USB-B	

ERP Part No.
E-0018-S043

TITLE:
Set of 6 Support Bars, Shot Put Cage,
Portable

DWG. NO.
SPCPT-SUPPORT BAR SET

REV
C

DRAWN BY
B. DREHER

Revision Date
11/05/2018

SHEET 1 OF 1