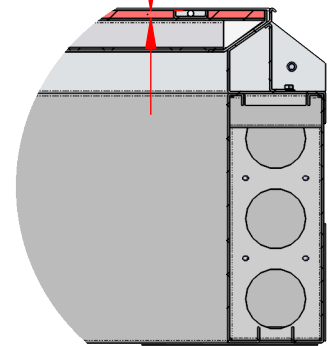
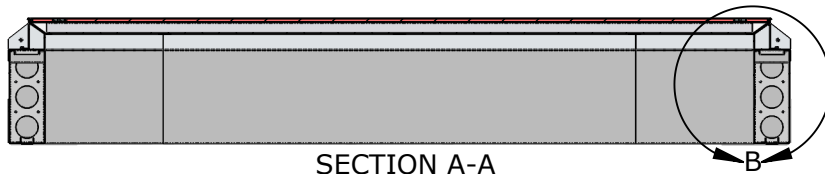


**Important:** It is highly recommended that the synthetic track installer use a suitable metal primer prior to installing the synthetic track surface to ensure proper adhesion. Failure to do so may cause premature delamination of the synthetic track material.

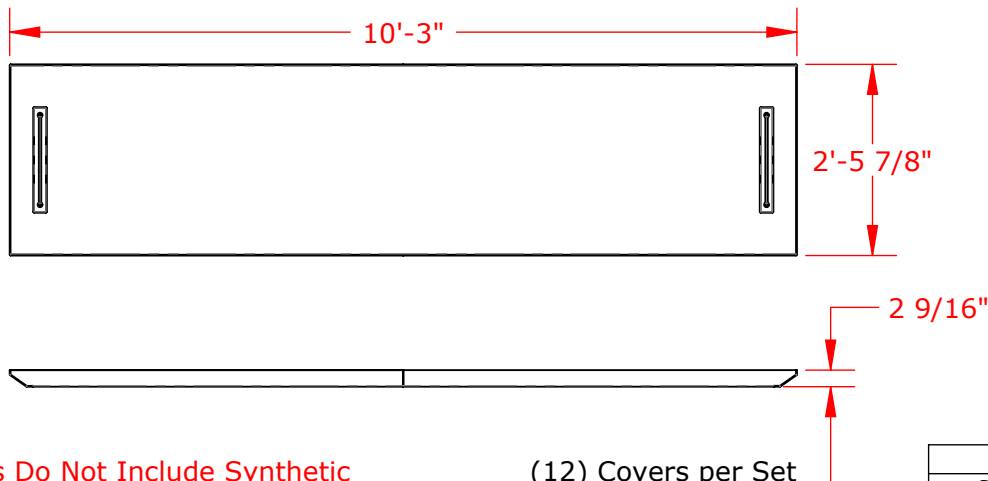
Recess to Accept Synthetic Track Surface, By Others (See Table for Depth)



SECTION A-A

DETAIL B

Standard Cover  
Qty: 12  
80 lbs per Cover\*



\*Weights Do Not Include Synthetic Track Surface

(12) Covers per Set  
960 lbs per Set\*

Part #	Recess Depth
SPCVRCOL	1/2"
SPCVRCOLQ	1/4"

**PROPRIETARY AND CONFIDENTIAL**

THE INFORMATION CONTAINED IN THIS DRAWING IS THE SOLE PROPERTY OF SPORTSFIELD SPECIALTIES INC. ANY REPRODUCTION IN PART OR AS A WHOLE WITHOUT THE WRITTEN PERMISSION OF SPORTSFIELD SPECIALTIES INC. IS PROHIBITED.

# College Sand Pit Cover Set

Not To Scale

Sportsfield Specialties Inc 07222020