



Long / Triple Jump Pit with Sand Catchers Installation Instructions

SPSCCOL – N.C.A.A. / I.A.A.F. 3 Meter x 9 Meter

SPSCHS – High School 3 Meter x 7 Meter

United States Patent #7,641,593 – Issued January 5, 2010

Base Units

Establish the location of the sand pit per plans and specifications. Excavate a pit that is [SPSCCOL – 34' x 14', and 24" below finish grade] [SPSCHS – 28' x 14', and 24" below finish grade]. The inside wall of the base assembly will define the sand area of the jump pit. Locate the joints and the corners of the base units and mark the sub grade with spray paint at these positions. Set concrete bricks or patio blocks at the marked locations in a bedding of stiff mortar. Bricks should be positioned so that adjacent base sections rest on a common brick. Set the top of the bricks 21" below finished grade. This is the overall height of the finished assembly. Allow the bedding mortar to set.

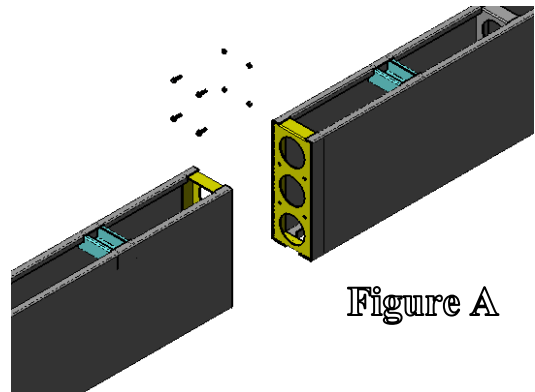


Figure A

Pre-assemble straight base units according to the layout drawings [SPSCCOL – 2 sets of (3) 6502 2 Meter base forms] [SPSCHS – 2 sets of (2) 2 Meter Base Forms] by bolting (4) ¼-20 x 1" long serrated flange hex head bolts and hex nuts. Hand-tighten nuts at this time (See Fig. A).

Pre-assemble 2 assemblies using (1) Left Hand Base form Corner and (1) Right Hand Base Form Corner onto (1) 2 Meter Base Form by bolting (4) ¼-20 x 1" long serrated flange hex head bolts and hex nuts. Hand-tighten nuts at this time.

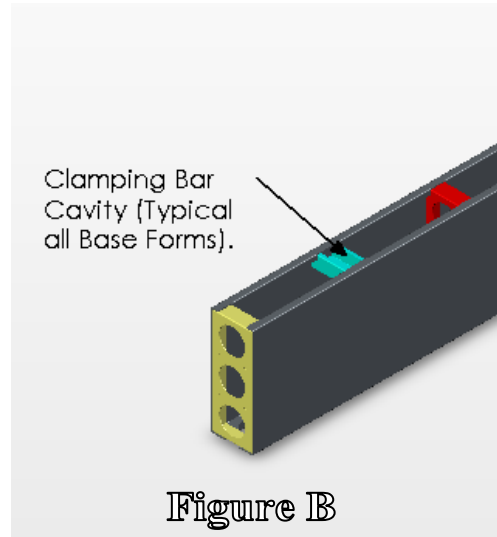
Locate and level the side assemblies in the trench by setting the joints of the base units on the concrete bricks. The top of the outside edge of the form should be set to finished grade minus 5-1/2". Finish the assembly by bolting the corner sub-assemblies onto the straight assemblies using the remaining 1/4-20 x 1" long serrated flange hex head bolts and hex nuts. Hand-tighten nuts at this time.

The pit length and width is fixed by the final assembly. The assembly should now be checked for square and plumb. The inside pit length should measure [SPSCCOL – 118 1/8" x 360"] [SPSCHS – 118 1/8" x 281"]. Ascertain all measurements (square, plumb, and diagonal) are correct and tighten all bolts. Correct lengths and diagonals are critical to a proper fit for the Sand Catcher assembly and pit covers.

Secure the location of the form by driving lengths of rebar along the inside and outside walls at several locations. Before and during concrete placement, check the pit width at several locations. Fill the forms with concrete and finish to the height of the interior braces.

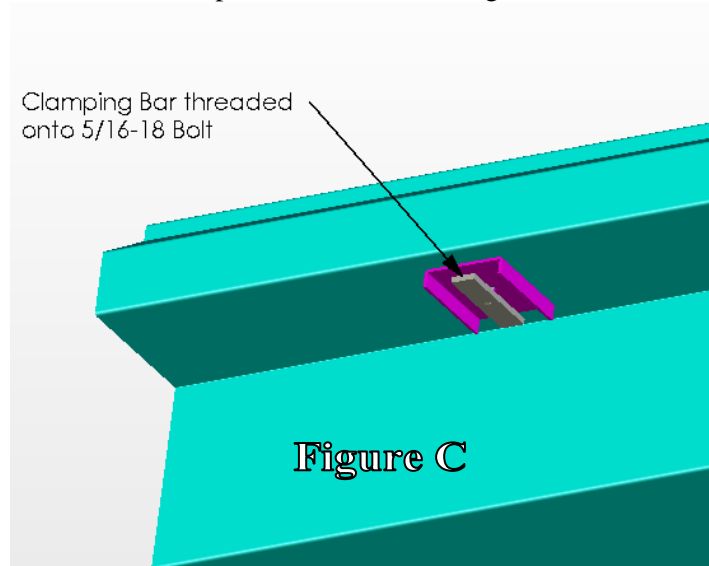
IMPORTANT: Be sure to finish the concrete such that it does not go over the clamping bar cavities (See Fig. B). This must be done so that when the sand catchers are installed the steel clamping bar will engage under the lip of the clamping bar cavity. Before proceeding further, allow the concrete to set.

Using an appropriate fill material, backfill and compact at the outside of the base units to 12" below the top outside edge. It is advisable at this time to place the specified fill material inside the pit, i.e. drain pipe, crushed stone, filter fabric, pit sand, etc. This will help to further stabilize the base unit against movement. Place and compact a 4" layer of sand to 8" below the same uppermost outside edge. This will be the setting bed for the sand catchers.



Sand Catchers

Prior to installing the sand catchers onto the base forms, thread 5/16-18 x 1 1/2" long stainless steel hex head bolts, washers, lock washers and steel threaded flat bar onto all sand catcher components. There are (2) locations per sand catcher component easily identified by obround-shaped holes. Thread steel flat bar onto bolt until bolt is flush with flat surface of flat bar. Position all flat bars on all components as shown in Figure C.



Once this has been accomplished, begin the installation process with the corner sand catchers. Place the sand catchers onto the base forms but do not tighten the bolts at this time. Next, install

the sand catcher with the runway insert, then the sand catcher without the runway insert. Finish by installing the remaining sand catchers. Prior to tightening the bolts, align all sand catchers.

Install ¼-20 x 1" long serrated flange hex head bolts and nuts into the grate angles located on all sand catcher components (See Fig. D). At this time, make one final check and be certain all components are correctly aligned, plumbed, and squared. It is critical that the components are aligned correctly so as the sand pit covers will fit properly after final installation.

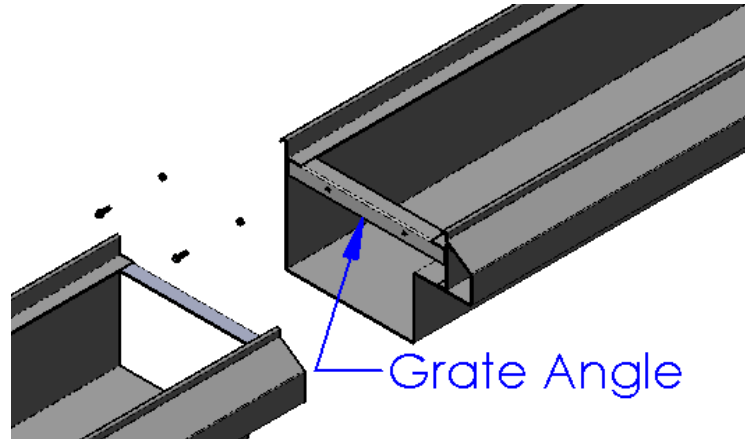


Figure D

Tighten all 5/16-18 bolts. Tighten all ¼-20 bolts. Back fill with appropriate material. See Figure E for recommended requirements on top surface material.

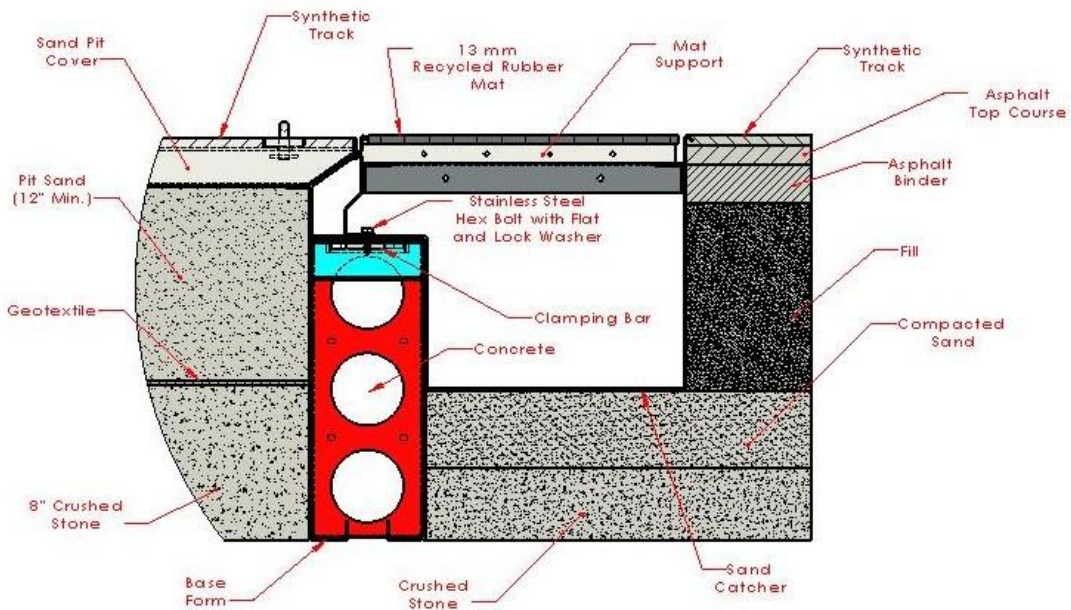


Figure E

After surfacing is completed, place grates and mats according to [SPSCHS – 3 Meter x 7 Meter Figure F] [SPSCCOL – 3 Meter x 9 Meter Figure G]. Do not attempt to assemble the mat sections into a single length mat.

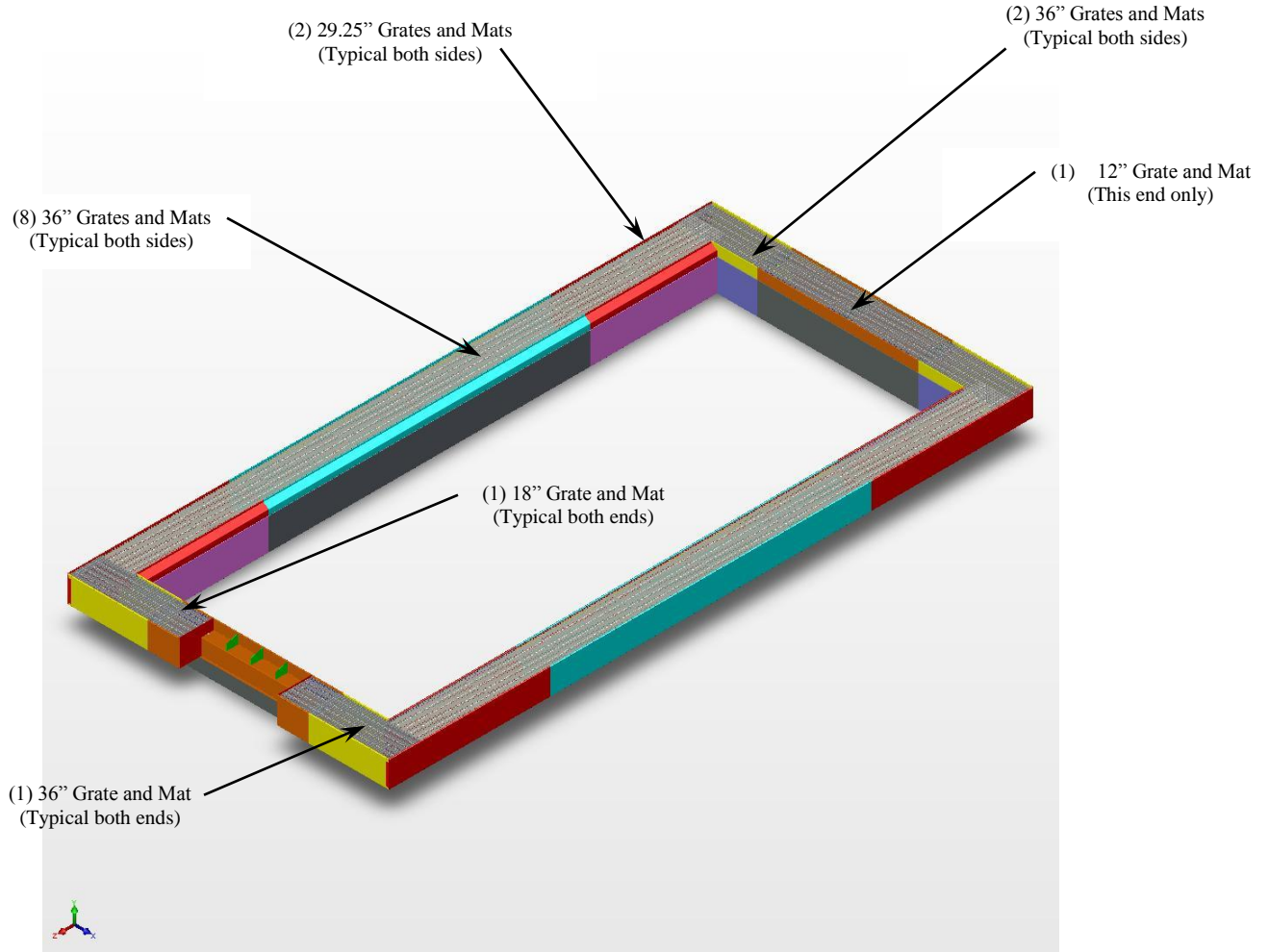


Figure F
SPSCHS (3 Meters x 7 Meters)

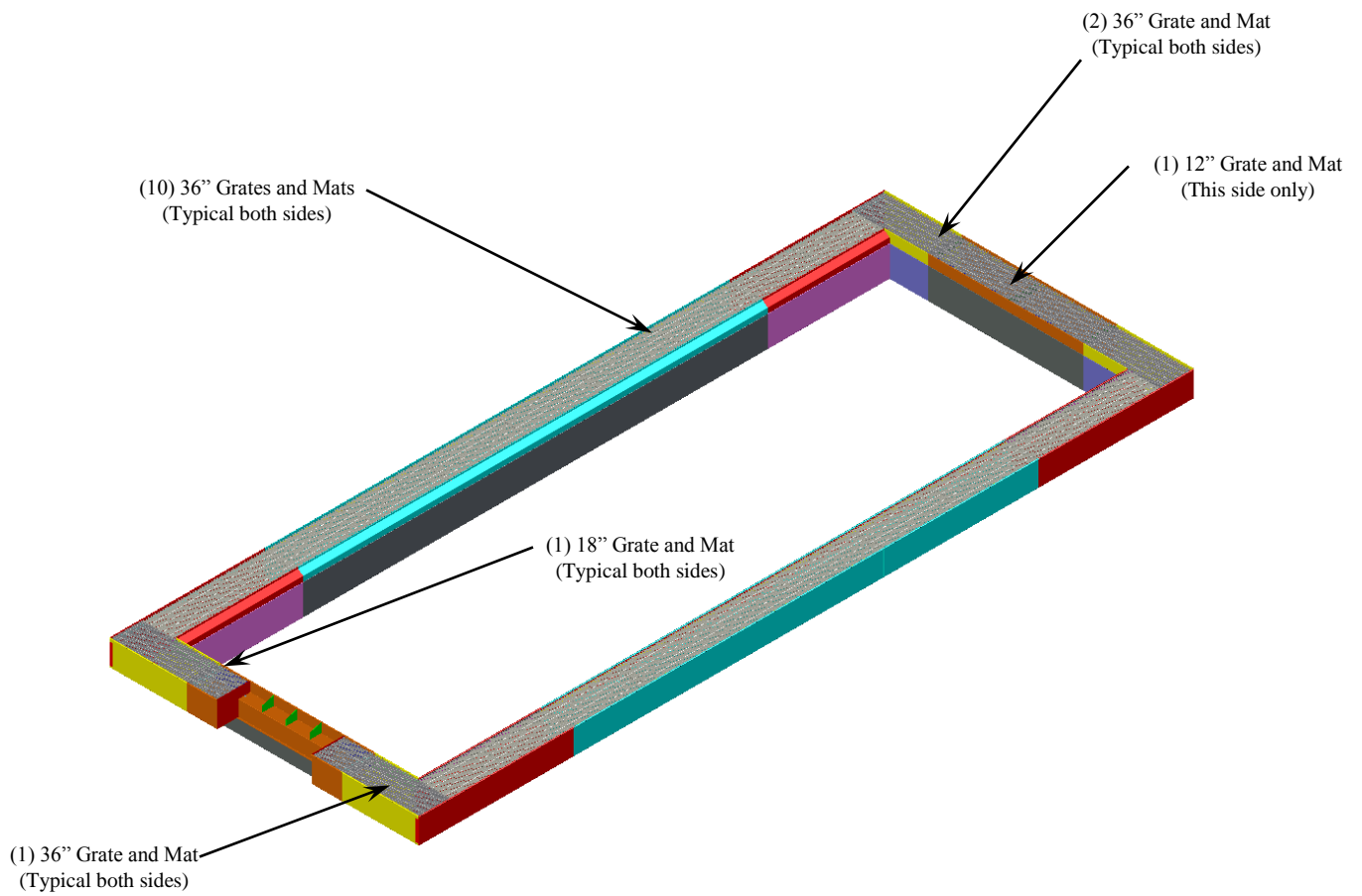


Figure G
SPSCCOL (3 Meters x 9 Meters)

Sand Catcher Drains

There are through holes in each corner base form and sand catcher. These are where the drain tubes can be installed as shown in Figure H.

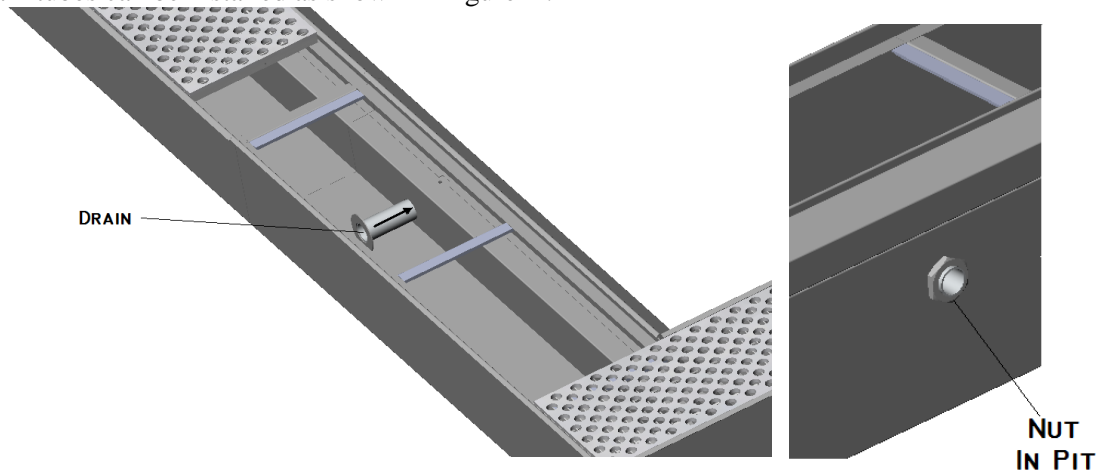


Figure H

Covers

Pit covers are made to fit into an opening that is exactly 3 meters (118 1/8") wide and [SPSCCOL – 9.14 m (360") long] [SPSCHS – 7.14m (281") long]. A small tolerance is built into the cover design to allow for easy removal and replacement under various climatic conditions.

The 13mm (1/2") recess in the cover panels is to be filled with rubber track material by the track contractor. Be careful to mask the lift handle pockets prior to filling the covers. **NOTE: Long/Triple Jump Pit Panel Covers are designed to be removed and/or repositioned by two people. Please do not attempt to handle pit covers in any other manner as this may result in damage to the Long/Triple Jump Pit or Pit Covers and/or result in personal injury.**

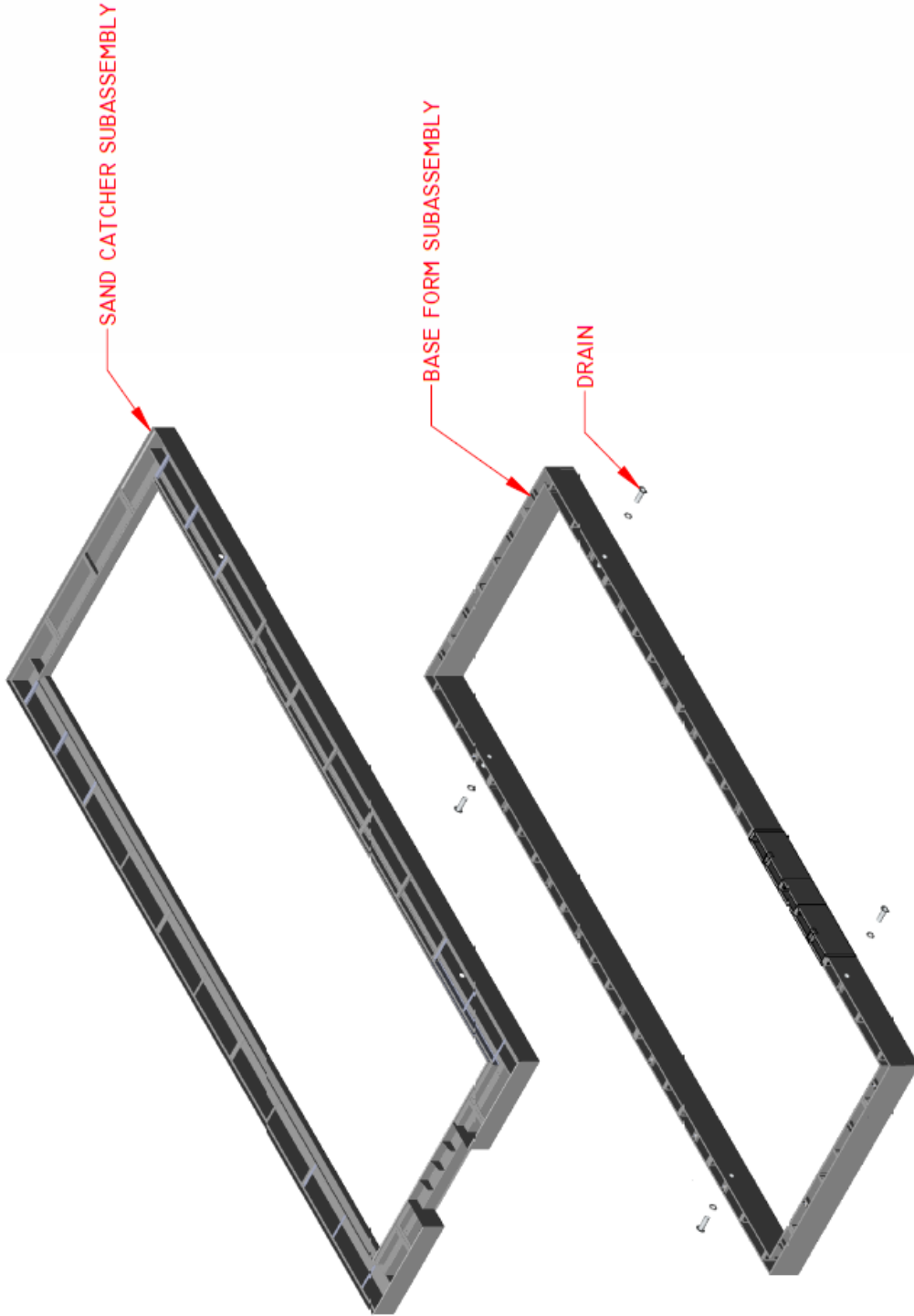
REPLACEMENT PARTS

Contact Sportsfield Specialties Customer Service at 1-888-975-3343 for replacement hardware.



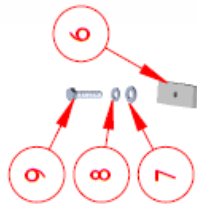
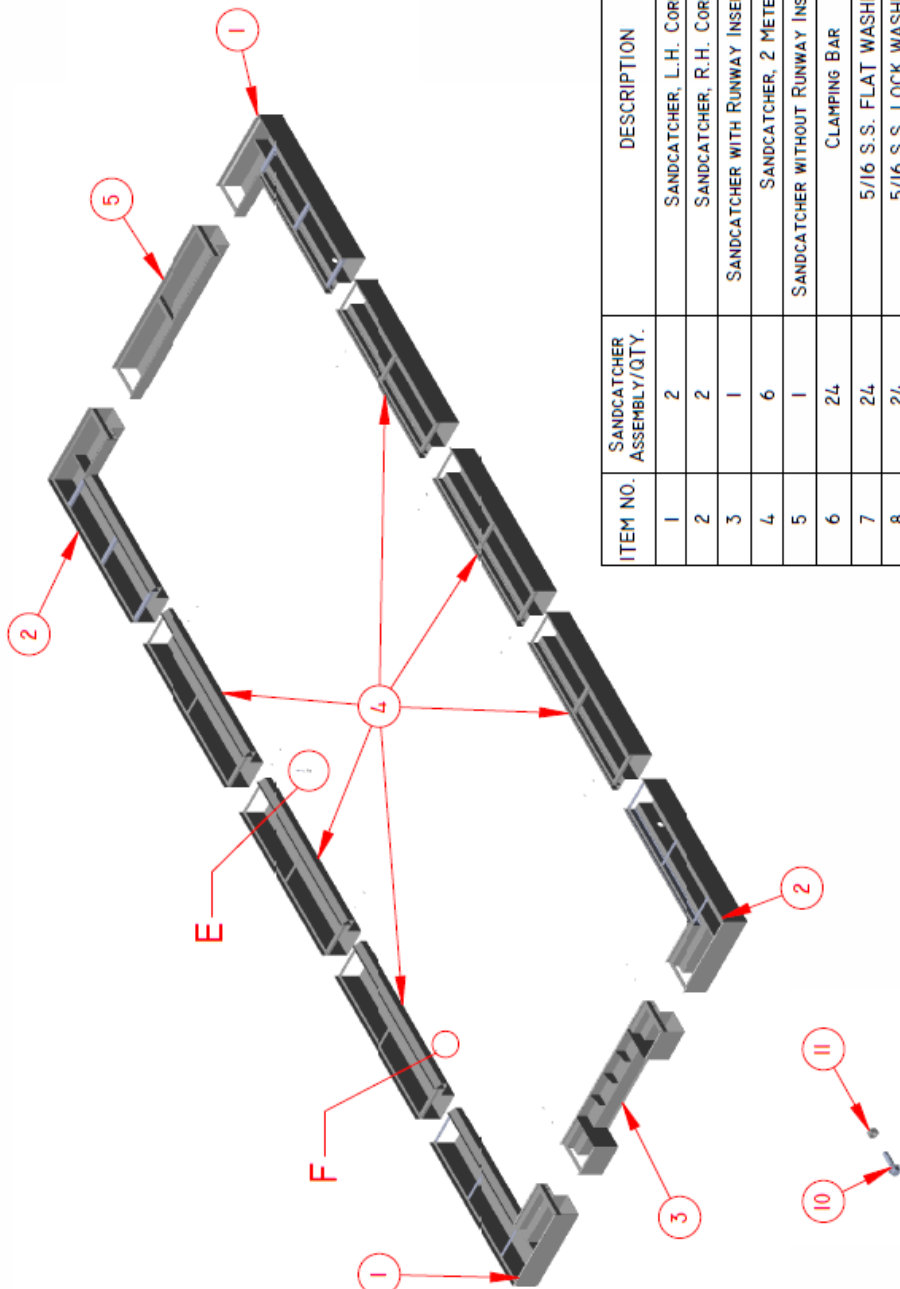
Sportsfield Specialties, Inc.
P.O. Box 231
41155 State Highway 10
Delhi, N.Y. 13753
Phone: 888-975-3343
Fax: 607-746-8911
www.sportsfieldspecialties.com

FRACTION	DECIMAL	METRIC
1/64	0.0156	1.3869
1/32	0.0313	2.7938
3/64	0.0469	4.1905
1/16	0.0625	5.5875
5/64	0.0781	6.9844
3/32	0.0938	8.3813
7/64	0.1094	9.7781
1/8	0.125	11.1750
9/64	0.1406	12.5719
5/32	0.1563	13.9688
11/64	0.1719	15.3656
3/16	0.1875	16.7625
13/64	0.2031	18.1594
7/32	0.2188	19.5563
15/64	0.2344	20.9531
1/4	0.25	22.3500
17/64	0.2656	23.7469
9/32	0.2813	25.1438
19/64	0.2969	26.5406
5/16	0.3125	27.9375
21/64	0.3281	29.3344
11/32	0.3438	30.7313
23/64	0.3594	32.1281
3/8	0.375	33.5250
25/64	0.3906	34.9219
13/32	0.4063	36.3188
27/64	0.4219	37.7156
7/16	0.4375	39.1125
29/64	0.4531	40.5094
15/32	0.4688	41.9063
31/64	0.4844	43.3031
1/2	0.5	44.7000
33/64	0.5156	46.0969
35/64	0.5469	47.4938
9/16	0.5625	48.8906
37/64	0.5781	50.2875
19/32	0.5938	51.6844
39/64	0.6094	53.0813
5/8	0.625	54.4781
41/64	0.6406	55.8750
21/32	0.6563	57.2719
43/64	0.6719	58.6688
11/16	0.6875	60.0656
45/64	0.7031	61.4625
23/32	0.7188	62.8594
47/64	0.7344	64.2563
3/4	0.75	65.6531
49/64	0.7656	67.0500
25/32	0.7813	68.4469
51/64	0.7969	69.8438
13/16	0.8125	71.2406
53/64	0.8281	72.6375
27/32	0.8438	74.0344
55/64	0.8594	75.4313
7/8	0.875	76.8281
57/64	0.8906	78.2250
29/32	0.9063	79.6219
59/64	0.9219	81.0188
15/8	0.9375	82.4156
61/64	0.9531	83.8125
31/32	0.9688	85.2094
63/64	0.9844	86.6063



		ERP Part No. SPSCCOL	
TITLE: JumpForm College 3m x 9m Sand Pit with Sand Catchers Final Assembly		NAME DRAWN CHECKED ENG. APPR.	DATE III/25/2015
UNLESS OTHERWISE SPECIFIED: DIMENSIONS ARE IN INCHES TOLERANCES: FRACTIONAL: 1/16 ANGULAR: MACH: BEND ± TWO PLACE DECIMAL ±.01 THREE PLACE DECIMAL ±.005		INTERPRET GEOMETRIC TOLERANCING PER:	
MATERIAL		FINISH None	
APPLICATION		DO NOT SCALE DRAWING	
REVISIONS		SCALE : 1:72	
NEXT ASSY		WEIGHT : 1320.094	
USED ON		SHEET 1 OF 3	
PROPRIETARY AND CONFIDENTIAL This drawing is the confidential property of Sporthfield Speculatives, Inc. and it is to be used only for the project and site identified herein. It is not to be reproduced in whole or in part without the written permission of Sporthfield Speculatives, Inc. and must be returned to Sporthfield Speculatives, Inc. upon completion of the work or job. The recipient agrees to keep confidential, and to require his/her employees to keep confidential, the information contained herein. Disclosure of this information to any third party without the written consent of Sporthfield Speculatives, Inc. is strictly prohibited.			
Sporthfield Speculatives, Inc. Delhi, N.Y.			

FRACTION	DECIMAL	METRIC
1/64	.0156	3.969
1/32	.0313	7.938
3/64	.0469	11.906
1/16	.0625	15.875
5/64	.0781	19.844
3/32	.0938	23.813
1/8	.125	31.750
1/4	.250	63.500
3/8	.375	95.250
1/2	.500	127.000
5/8	.625	158.750
3/4	.750	190.500
7/8	.875	222.250
1	1.000	254.000
1 1/8	1.125	285.750
1 1/4	1.250	317.500
1 3/8	1.375	349.250
1 1/2	1.500	381.000
1 5/8	1.625	412.750
1 3/4	1.750	444.500
1 7/8	1.875	476.250
2	2.000	508.000
2 1/8	2.125	539.750
2 1/4	2.250	571.500
2 3/8	2.375	603.250
2 1/2	2.500	635.000
2 5/8	2.625	666.750
2 3/4	2.750	698.500
2 7/8	2.875	730.250
3	3.000	762.000
3 1/8	3.125	793.750
3 1/4	3.250	825.500
3 3/8	3.375	857.250
3 1/2	3.500	889.000
3 5/8	3.625	920.750
3 3/4	3.750	952.500
3 7/8	3.875	984.250
4	4.000	1016.000
4 1/8	4.125	1047.750
4 1/4	4.250	1079.500
4 3/8	4.375	1111.250
4 1/2	4.500	1143.000
4 5/8	4.625	1174.750
4 3/4	4.750	1206.500
4 7/8	4.875	1238.250
5	5.000	1270.000
5 1/8	5.125	1301.750
5 1/4	5.250	1333.500
5 3/8	5.375	1365.250
5 1/2	5.500	1397.000
5 5/8	5.625	1428.750
5 3/4	5.750	1460.500
5 7/8	5.875	1492.250
6	6.000	1524.000
6 1/8	6.125	1555.750
6 1/4	6.250	1587.500
6 3/8	6.375	1619.250
6 1/2	6.500	1651.000
6 5/8	6.625	1682.750
6 3/4	6.750	1714.500
6 7/8	6.875	1746.250
7	7.000	1778.000
7 1/8	7.125	1809.750
7 1/4	7.250	1841.500
7 3/8	7.375	1873.250
7 1/2	7.500	1905.000
7 5/8	7.625	1936.750
7 3/4	7.750	1968.500
7 7/8	7.875	2000.250
8	8.000	2032.000
8 1/8	8.125	2063.750
8 1/4	8.250	2095.500
8 3/8	8.375	2127.250
8 1/2	8.500	2159.000
8 5/8	8.625	2190.750
8 3/4	8.750	2222.500
8 7/8	8.875	2254.250
9	9.000	2286.000
9 1/8	9.125	2317.750
9 1/4	9.250	2349.500
9 3/8	9.375	2381.250
9 1/2	9.500	2413.000
9 5/8	9.625	2444.750
9 3/4	9.750	2476.500
9 7/8	9.875	2508.250
10	10.000	2540.000
10 1/8	10.125	2571.750
10 1/4	10.250	2603.500
10 3/8	10.375	2635.250
10 1/2	10.500	2667.000
10 5/8	10.625	2698.750
10 3/4	10.750	2730.500
10 7/8	10.875	2762.250
11	11.000	2794.000
11 1/8	11.125	2825.750
11 1/4	11.250	2857.500
11 3/8	11.375	2889.250
11 1/2	11.500	2921.000
11 5/8	11.625	2952.750
11 3/4	11.750	2984.500
11 7/8	11.875	3016.250
12	12.000	3048.000
12 1/8	12.125	3079.750
12 1/4	12.250	3111.500
12 3/8	12.375	3143.250
12 1/2	12.500	3175.000
12 5/8	12.625	3206.750
12 3/4	12.750	3238.500
12 7/8	12.875	3270.250
13	13.000	3302.000
13 1/8	13.125	3333.750
13 1/4	13.250	3365.500
13 3/8	13.375	3397.250
13 1/2	13.500	3429.000
13 5/8	13.625	3460.750
13 3/4	13.750	3492.500
13 7/8	13.875	3524.250
14	14.000	3556.000
14 1/8	14.125	3587.750
14 1/4	14.250	3619.500
14 3/8	14.375	3651.250
14 1/2	14.500	3683.000
14 5/8	14.625	3714.750
14 3/4	14.750	3746.500
14 7/8	14.875	3778.250
15	15.000	3810.000
15 1/8	15.125	3841.750
15 1/4	15.250	3873.500
15 3/8	15.375	3905.250
15 1/2	15.500	3937.000
15 5/8	15.625	3968.750
15 3/4	15.750	4000.500
15 7/8	15.875	4032.250
16	16.000	4064.000
16 1/8	16.125	4095.750
16 1/4	16.250	4127.500
16 3/8	16.375	4159.250
16 1/2	16.500	4191.000
16 5/8	16.625	4222.750
16 3/4	16.750	4254.500
16 7/8	16.875	4286.250
17	17.000	4318.000
17 1/8	17.125	4349.750
17 1/4	17.250	4381.500
17 3/8	17.375	4413.250
17 1/2	17.500	4445.000
17 5/8	17.625	4476.750
17 3/4	17.750	4508.500
17 7/8	17.875	4540.250
18	18.000	4572.000
18 1/8	18.125	4603.750
18 1/4	18.250	4635.500
18 3/8	18.375	4667.250
18 1/2	18.500	4699.000
18 5/8	18.625	4730.750
18 3/4	18.750	4762.500
18 7/8	18.875	4794.250
19	19.000	4826.000
19 1/8	19.125	4857.750
19 1/4	19.250	4889.500
19 3/8	19.375	4921.250
19 1/2	19.500	4953.000
19 5/8	19.625	4984.750
19 3/4	19.750	5016.500
19 7/8	19.875	5048.250
20	20.000	5080.000
20 1/8	20.125	5111.750
20 1/4	20.250	5143.500
20 3/8	20.375	5175.250
20 1/2	20.500	5207.000
20 5/8	20.625	5238.750
20 3/4	20.750	5270.500
20 7/8	20.875	5302.250
21	21.000	5334.000
21 1/8	21.125	5365.750
21 1/4	21.250	5397.500
21 3/8	21.375	5429.250
21 1/2	21.500	5461.000
21 5/8	21.625	5492.750
21 3/4	21.750	5524.500
21 7/8	21.875	5556.250
22	22.000	5588.000
22 1/8	22.125	5619.750
22 1/4	22.250	5651.500
22 3/8	22.375	5683.250
22 1/2	22.500	5715.000
22 5/8	22.625	5746.750
22 3/4	22.750	5778.500
22 7/8	22.875	5810.250
23	23.000	5842.000
23 1/8	23.125	5873.750
23 1/4	23.250	5905.500
23 3/8	23.375	5937.250
23 1/2	23.500	5969.000
23 5/8	23.625	6000.750
23 3/4	23.750	6032.500
23 7/8	23.875	6064.250
24	24.000	6096.000



DETAIL E
SCALE 1 : 8

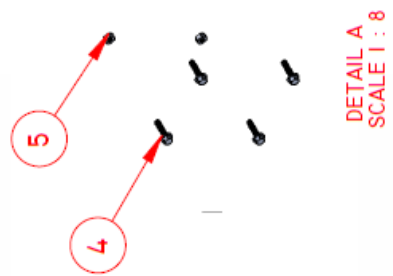
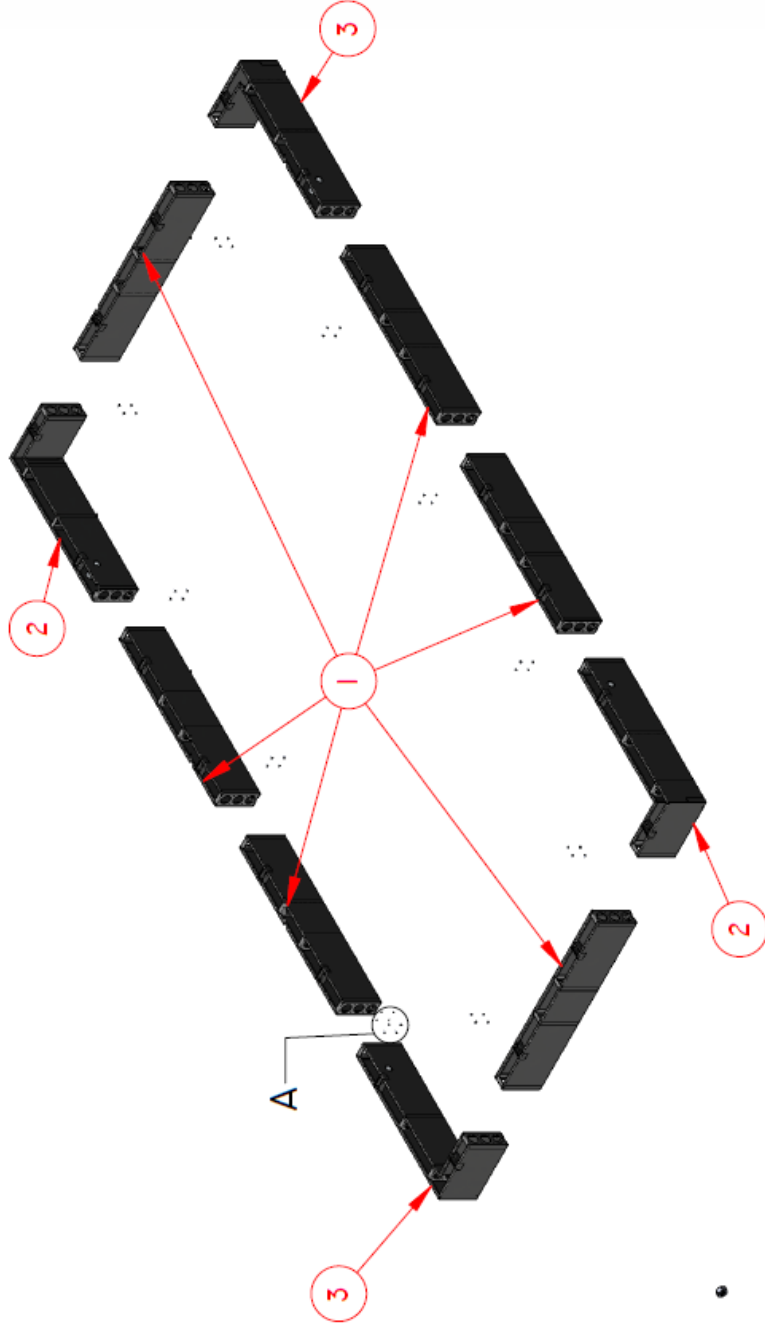
DETAIL F
SCALE 1 : 8

ITEM NO.	SANDCATCHER ASSEMBLY/QTY.	DESCRIPTION	WEIGHT	ERP PART NUMBER
1	2	SANDCATCHER, L.H. CORNER	70.150	E-0020-S010
2	2	SANDCATCHER, R.H. CORNER	39.694	E-0020-S011
3	1	SANDCATCHER WITH RUNWAY INSERT, 2 METER	36.368	E-0020-S007
4	6	SANDCATCHER, 2 METER	56.185	E-0020-S008
5	1	SANDCATCHER WITHOUT RUNWAY INSERT, 2 METER	50.276	E-0020-S009
6	24	CLAMPING BAR	0.190	E-0020-0001
7	24	5/16 S.S. FLAT WASHER	0.008	I10-FLW-0007
8	24	5/16 S.S. LOCK WASHER	0.004	I10-SLW-0007
9	24	5/16-18 x 1.5" HEX HEAD BOLT, 304 SS	0.0413	I01-HHC-0047
10	24	1/4-20 x 1" HEX WASHER HEAD WITH SERRATED FLANGE, GRADE 5, FULLY THREADED	0.022	100-HWH-0001
11	24	1/4-20 STAINLESS STEEL HEX NUT	0.008	107-HXN-0010

UNLESS OTHERWISE SPECIFIED:		ERP Part No.	
DIMENSIONS ARE IN INCHES		SPSCCOL	
TOLERANCES:		TITLE:	
FRACTIONAL: 1/16	ANGULAR: MACH: ± .01	Jump Form College 3m x 9m	
TWO PLACE DECIMAL ± .01	THREE PLACE DECIMAL ± .005	Sand Pit with Sand Catchers	
INTERPRET GEOMETRIC TOLERANCING PER:		Sand Catcher Assembly	
MATERIAL		SIZE	DWG. NO.
FINISH		A SP6010 (A SIZE)	
NEXT ASSY		SCALE: 1:70	WEIGHT: 650.010
APPLICATION		SHEET 3 OF 3	
DO NOT SCALE DRAWING		REV	
USED ON		Revision Date	
None		Revision No.	

PROPRIETARY AND CONFIDENTIAL
 This drawing is the confidential property of Sporthfield specialties, Inc. and is to be used only by authorized personnel and in the interest of Sporthfield specialties, Inc. It is not to be reproduced, stored in a retrieval system, or transmitted in any form or by any means, without the prior written permission from Sporthfield specialties, Inc. and must be returned to Sporthfield specialties, Inc. if used at any time for any reason, but in any event of disclosure of this information, Sporthfield specialties, Inc. will not be held liable for any damages. It is the policy of Sporthfield specialties, Inc. to disclose information to its employees to keep confidential the information contained here on. Disclosure of this information to any other person without the written consent of Sporthfield specialties, Inc. is prohibited. Information for that work on Sporthfield specialties, Inc. projects.
 Sporthfield specialties, Inc. Delhi, N.Y.

FRACTION	DECIMAL	METRIC
1/64	.0156	3.969
1/32	.0313	7.938
3/64	.0469	11.906
1/16	.0625	15.875
5/64	.0781	19.844
3/32	.0938	23.813
7/64	.1094	27.781
1/8	.125	31.750
11/64	.1719	43.666
3/16	.1875	47.625
13/64	.2031	51.594
7/32	.2188	55.563
15/64	.2344	59.531
1/4	.25	63.500
17/64	.2656	67.469
9/32	.2813	71.438
19/64	.2969	75.406
5/16	.3125	79.375
21/64	.3281	83.344
11/32	.3438	87.313
23/64	.3594	91.281
3/8	.375	95.250
25/64	.3906	99.219
13/32	.4063	103.188
27/64	.4219	107.156
7/16	.4375	111.125
29/64	.4531	115.094
15/32	.4688	119.063
31/64	.4844	123.031
1/2	.500	127.000
33/64	.5156	130.969
17/32	.5313	134.938
35/64	.5469	138.906
9/16	.5625	142.875
37/64	.5781	146.844
19/32	.5938	150.813
39/64	.6094	154.781
5/8	.6250	158.750
41/64	.6406	162.719
21/32	.6563	166.688
43/64	.6719	170.656
11/16	.6875	174.625
45/64	.7031	178.594
23/32	.7188	182.563
47/64	.7344	186.531
3/4	.7500	190.500
49/64	.7656	194.469
25/32	.7813	198.438
51/64	.7969	202.406
13/16	.8125	206.375
53/64	.8281	210.344
27/32	.8438	214.313
55/64	.8594	218.281
7/8	.8750	222.250
57/64	.8906	226.219
29/32	.9063	230.188
59/64	.9219	234.156
15/16	.9375	238.125
61/64	.9531	242.094
31/32	.9688	246.063
63/64	.9844	250.031



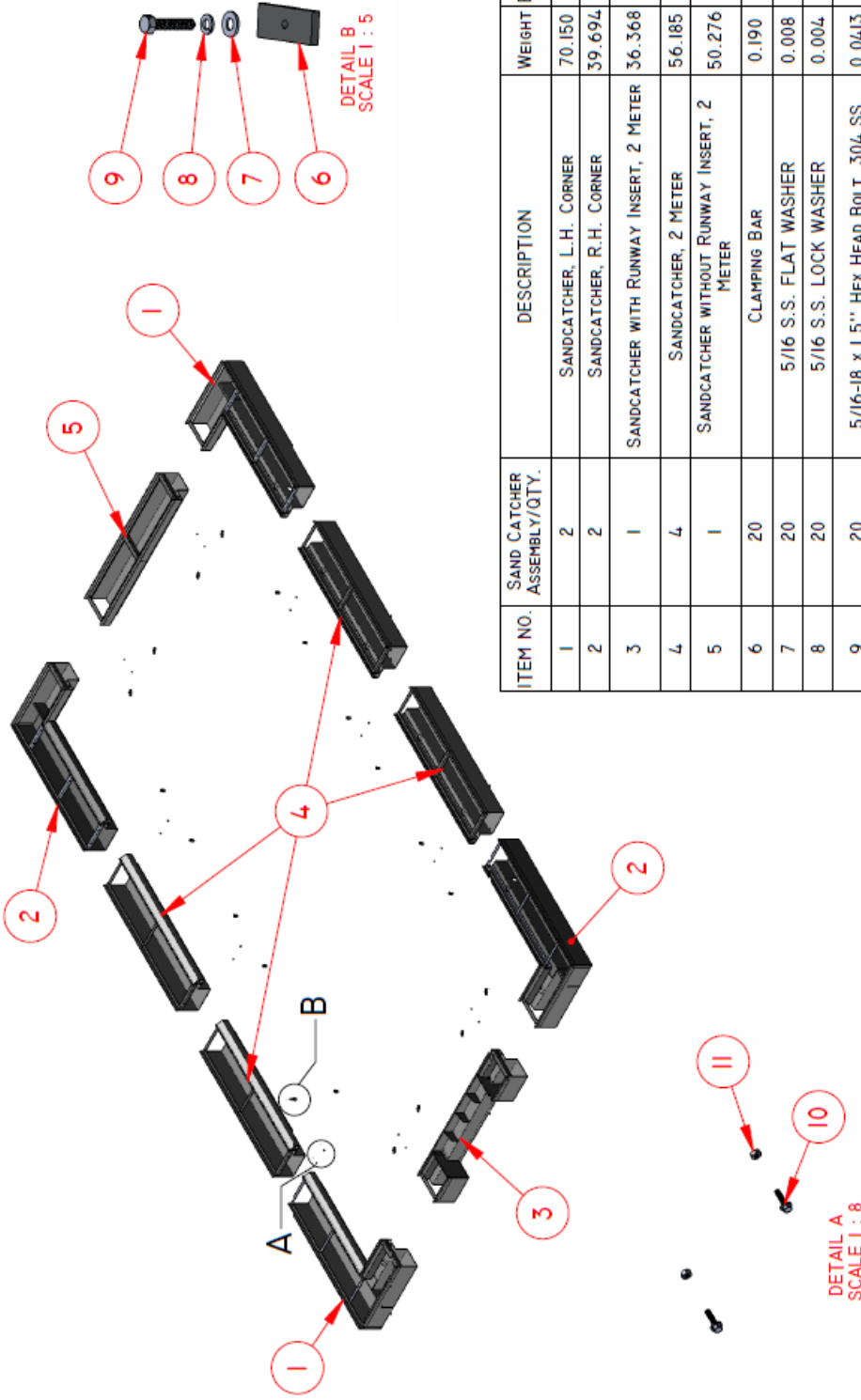
DETAIL A
SCALE 1 : 8

ITEM NO.	BASE FORM ASSEMBLY/QTY.	DESCRIPTION	WEIGHT	ERP/PART NUMBER
1	6	2M BASE FORM	44.168	E-0020-S001
2	2	BASE FORM CORNER, R.H. W/ DRAIN	49.782	E-0020-S006
3	2	BASEFORM CORNER, L.H. WITH DRAIN	49.782	E-0020-S003
4	40	1/4-20 x 1" HEX WASHER HEAD WITH SERRATED FLANGE, GRADE 5, FULLY THREADED	0.022	100-HWH-0001
5	40	1/4-20 STAINLESS STEEL HEX NUT	0.008	107-HXN-0010

UNLESS OTHERWISE SPECIFIED:		ERP Part No.	
DIMENSIONS ARE IN INCHES		SPSCHS	
TOLERANCES:		NAME	DATE
FRACTIONAL: 1/16			III/25/2015
ANGULAR: MACH: ±		DRAWN	
TWO PLACE DECIMAL ±.01		CHECKED	
THREE PLACE DECIMAL ±.005		ENG. APPR.	
INTERPRET GEOMETRIC TOLERANCING PER:		TITLE:	
MATERIAL		JumpForm High School 3m x 7m	
FINISH		Sand Pit with Sand Catchers	
USED ON		Base Form Assembly	
NEXT ASSY		SIZE	DWG. NO.
APPLICATION		A SP6020 (A SIZE)	
DO NOT SCALE DRAWING		SCALE: 1:96	WEIGHT: 465.361
		REV	REV
		SHEET 2 OF 3	

PROPRIETARY AND CONFIDENTIAL
 This drawing is the confidential property of Spiffind Specities, Inc. and is to be used only by authorized personnel and in the interest of Spiffind Specities, Inc. No part of this drawing may be reproduced, stored in a retrieval system, or transmitted in any form or by any means, electronic, mechanical, photocopying, recording, or by any information storage and retrieval system, without the prior written permission from Spiffind Specities, Inc. and must be returned to Spiffind Specities, Inc. in whole or in part upon request. In any event of disclosure of this information to any third party, the user shall be held liable for the full (100%) extent of the damage caused by such disclosure. Spiffind Specities, Inc. is not liable for any damage or loss of profit, business, or other financial loss resulting from the use of this information. Spiffind Specities, Inc. is not responsible for the information contained here on. Disclosure of this information to any third party without the prior written permission from Spiffind Specities, Inc. is strictly prohibited. Spiffind Specities, Inc. is not responsible for the information contained here on. Disclosure of this information to any third party without the prior written permission from Spiffind Specities, Inc. is strictly prohibited.
 Spiffind Specities, Inc. Delix, N.Y.

FRACTION	DECIMAL	METRIC
1/64	0.0156	3.969
1/32	0.0313	7.938
3/64	0.0469	11.907
1/16	0.0625	15.875
5/64	0.0781	19.844
3/32	0.0938	23.813
7/64	0.1094	27.781
1/8	0.125	31.750
9/64	0.1406	35.719
5/32	0.1563	39.688
11/64	0.1719	43.656
3/16	0.1875	47.625
13/64	0.2031	51.594
7/32	0.2188	55.563
15/64	0.2344	59.531
1/4	0.25	63.500
17/64	0.2656	67.469
9/32	0.2813	71.438
19/64	0.2969	75.407
5/16	0.3125	79.375
21/64	0.3281	83.344
11/32	0.3438	87.313
23/64	0.3594	91.281
3/8	0.375	95.250
25/64	0.3906	99.219
13/32	0.4063	103.188
27/64	0.4219	107.156
7/16	0.4375	111.125
29/64	0.4531	115.094
15/32	0.4688	119.063
31/64	0.4844	123.031
1/2	0.5	127.000
33/64	0.5156	130.969
17/32	0.5313	134.938
35/64	0.5469	138.906
9/16	0.5625	142.875
37/64	0.5781	146.844
19/32	0.5938	150.813
39/64	0.6094	154.781
5/8	0.625	158.750
41/64	0.6406	162.719
21/32	0.6563	166.688
43/64	0.6719	170.656
11/16	0.6875	174.625
45/64	0.7031	178.594
23/32	0.7188	182.563
47/64	0.7344	186.531
3/4	0.75	190.500
49/64	0.7656	194.469
25/32	0.7813	198.438
51/64	0.7969	202.407
13/16	0.8125	206.375
53/64	0.8281	210.344
27/32	0.8438	214.313
55/64	0.8594	218.281
7/8	0.875	222.250
57/64	0.8906	226.219
29/32	0.9063	230.188
59/64	0.9219	234.156
15/16	0.9375	238.125
61/64	0.9531	242.094
31/32	0.9688	246.063
63/64	0.9844	250.031



ITEM NO.	SAND CATCHER ASSEMBLY/QTY.	DESCRIPTION	WEIGHT	ERP PART NUMBER
1	2	SANDCATCHER, L.H. CORNER	70.150	E-0020-S010
2	2	SANDCATCHER, R.H. CORNER	39.694	E-0020-S011
3	1	SANDCATCHER WITH RUNWAY INSERT, 2 METER	36.368	E-0020-S007
4	4	SANDCATCHER, 2 METER	56.185	E-0020-S008
5	1	SANDCATCHER WITHOUT RUNWAY INSERT, 2 METER	50.276	E-0020-S009
6	20	CLAMPING BAR	0.190	E-0020-0001
7	20	5/16 S.S. FLAT WASHER	0.008	I10-FLW-0007
8	20	5/16 S.S. LOCK WASHER	0.004	I10-SLW-0007
9	20	5/16-18 x 1.5" HEX HEAD BOLT, 304 SS	0.0413	101-HHC-0047
10	20	1/4-20 x 1" HEX WASHER HEAD WITH SERRATED FLANGE, GRADE 5, FULLY THREADED	0.022	100-HWH-0001
11	20	1/4-20 STAINLESS STEEL HEX NUT	0.008	107-HXN-0010

UNLESS OTHERWISE SPECIFIED:		ERP Part No.	
DIMENSIONS ARE IN INCHES		SPSCHS	
TOLERANCES:		TITLE:	
FRACTIONAL: 1/16	ANGULAR: MACH: ±	JumpForm High School 3m x 7m	
TWO PLACE DECIMAL ±.01	THREE PLACE DECIMAL ±.005	Sand Pit with Sand Catchers	
INTERPRET GEOMETRIC TOLERANCING PER:		Sand Catcher Assembly	
MATERIAL:		SIZE	DWG. NO.
None		A SP6020 (A SIZE)	
FINISH		SCALE	REV
None		1:12	536.545
NEXT ASSY		SHEET 3 OF 3	
APPLICATION		DO NOT SCALE DRAWING	

PROPRIETARY AND CONFIDENTIAL
 This drawing is the confidential property of Spontfield Specialties, Inc. and is to be used only by authorized personnel and in the interest of Spontfield Specialties, Inc. No part of this drawing may be reproduced, stored in a retrieval system, or transmitted in any form or by any means, electronic, mechanical, photocopying, recording, or by any information storage and retrieval system, without the prior written permission from Spontfield Specialties, Inc. and must be returned to Spontfield Specialties, Inc. if stolen at any time upon request, but in any event of this (the) employees to keep confidential the information contained here on. Disclosure of the information contained here on shall be deemed to be a breach of the terms and conditions of the employment contract and shall be cause for immediate termination of employment. Spontfield Specialties, Inc. Dept. N.Y.