



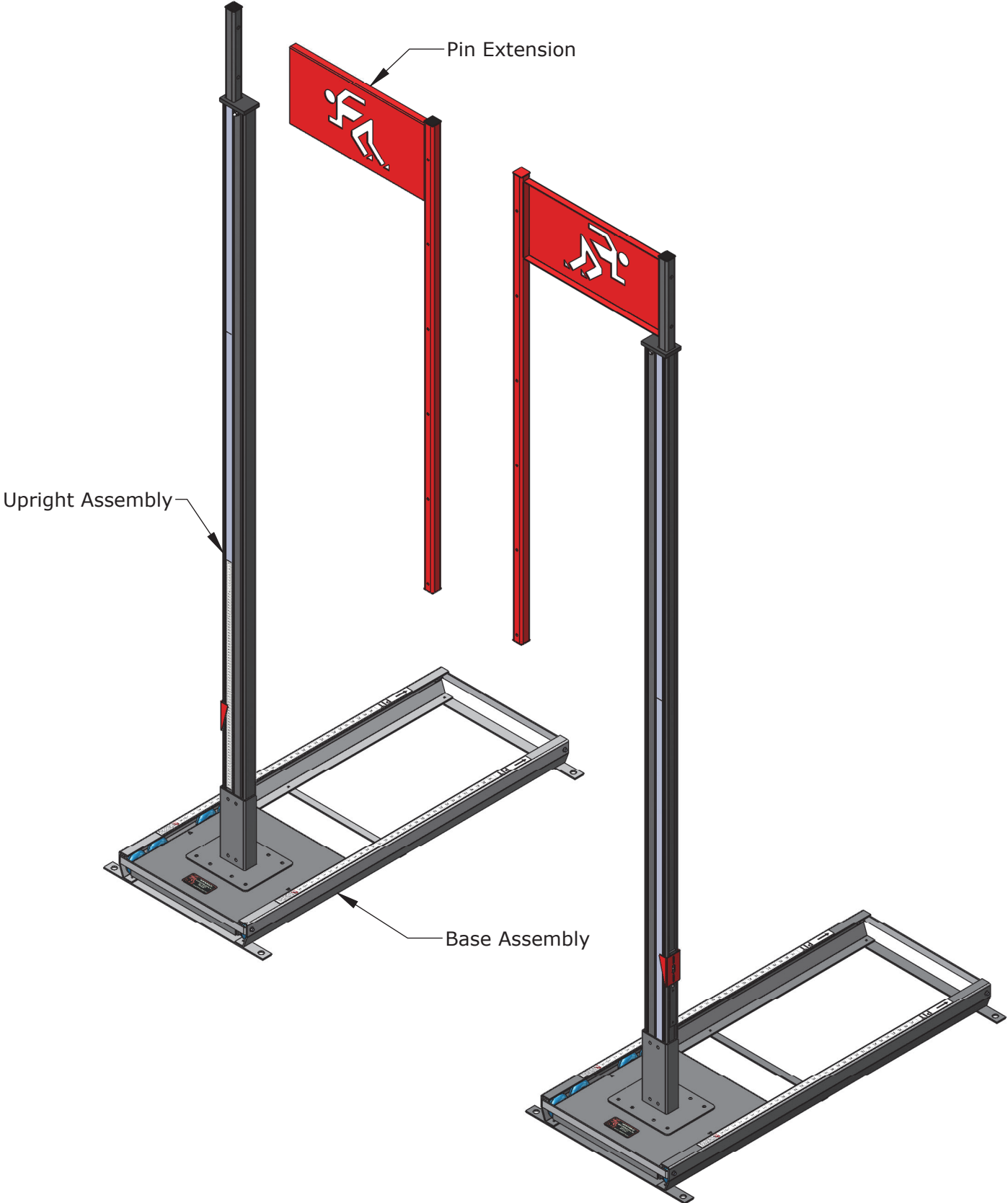
**1-888-975-3343**

**Install Instructions  
Pole Vault Standards**

<b>Product No.</b>	<b>Product Description</b>
PVS0517	Pole Vault Standards, 5' - 17' Height Range

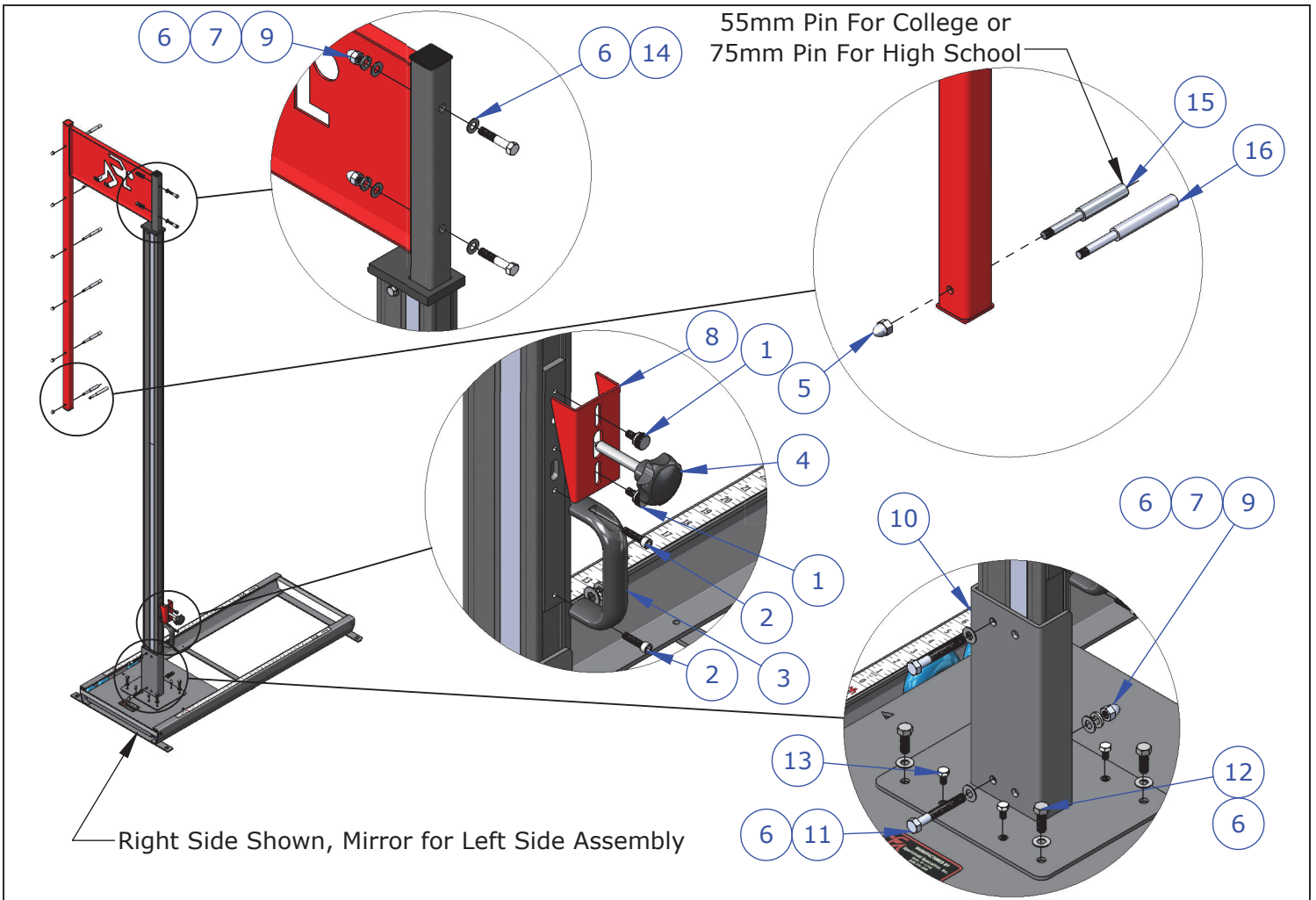
Pole Vault Standard Set Overview.....	ID-00055
Pole Vault Standard Assembly.....	ID-00170

**Tools Required:** 7/16" Socket, 1/2" Socket, 9/16" Socket, 9/16" Wrench, 3/16" Allen Wrench



TITLE: Pole Vault Standard Set Overview

DWG NO: ID-00055  
SHEET 1 OF 1



ITEM NO.	QTY.	SAP Part Number	DESCRIPTION
1	4	104-SCREWS-0034	1/4-20 x 1/2", Flared Collar Knurled Head Thumb Screw, SS
2	4	104-SCREWS-0036	1/4-20 SS Allen Head Cap Screw x 1.0" Length
3	2	PURCHP-0917	Oval Pull Handle, Black Coated Alum, 4-9/16" Center to Center for 1/4" Fasteners
4	2	PURCHP-0918	Plastic Star Knob, M10 x 1.5mm, SS, 55mm Stud Length
5	12	107-HXN-0021	Nut, 5/16-18 S.S. High Crown Acorn
6	24	110-FLW-0005	3/8 S.S. FLAT WASHER
7	8	110-SLW-0006	3/8-16 S. S. Lock Washer
8	2	E-1000-0086	Measurement Gauge, 2.125" ID, Painted Red
9	8	107-HXN-0015	3/8-16 S.S. High Crown Acorn Nut
10	2	Undefined	Mounting Stub
11	4	101-HHC-0065	3/8-16 x 2.75" Hex Head Bolt, 304 SS
12	8	101-HHC-0033	3/8-16 x 1.00" Hex Head Bolt, 304 SS
13	8	101-HHC-0016	1/4-20 x .50" hex head bolt, 304 SS
14	4	101-HHC-0035	3/8-16 x 2.00" Hex Head Bolt, 304 SS
15	12	E-0318-0003	Pole Vault Pin; 55mm
16	12	E-0318-0004	Pole Vault Pin; 75mm

TITLE: <h2 style="text-align: center;">Pole Vault Standard Assembly</h2>	DWG NO: <h2 style="text-align: center;">ID-00170</h2>
	SHEET 1 OF 1