



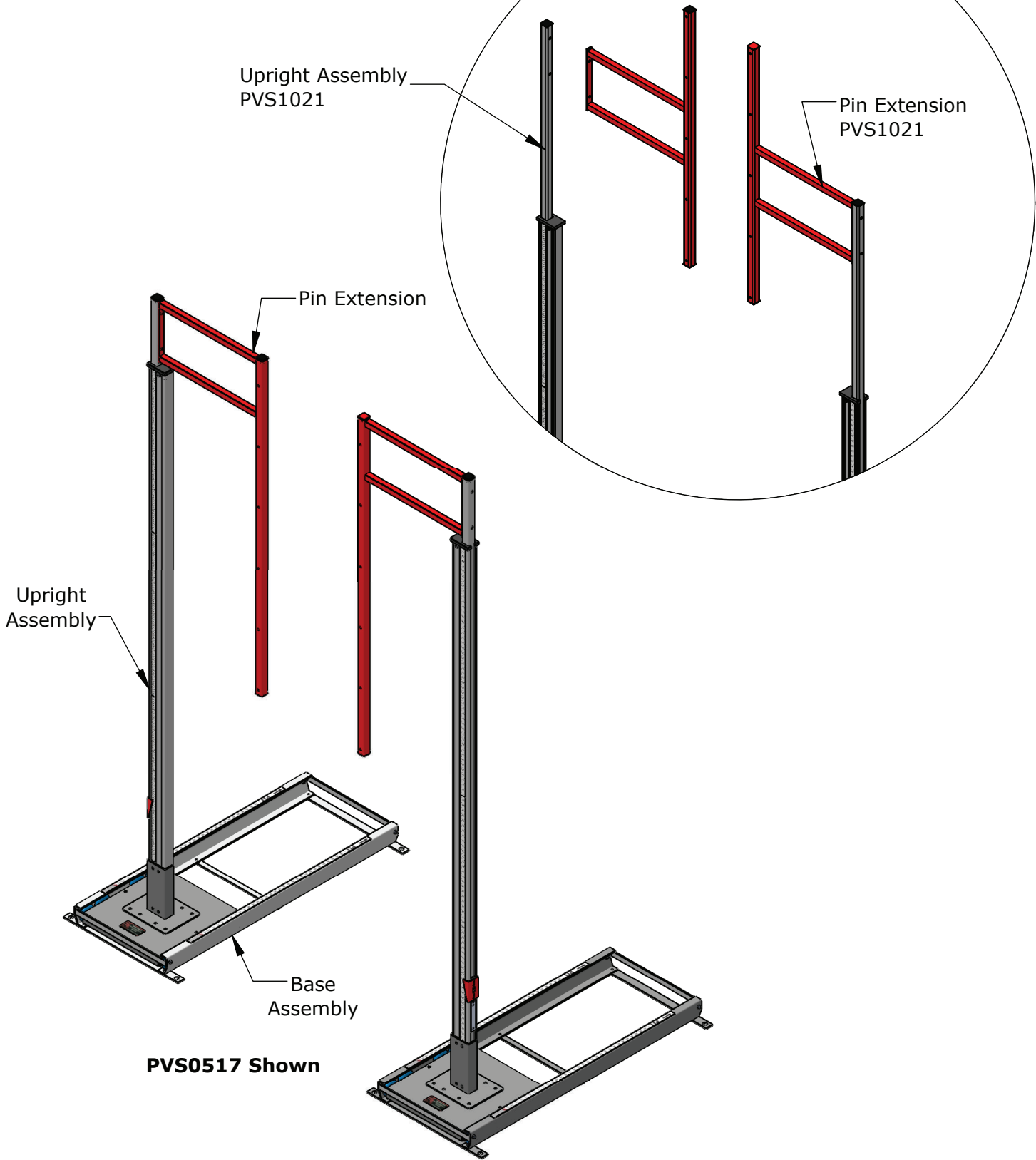
**1-888-975-3343**

## Install Instructions Pole Vault Standards

| <b>Product No.</b> | <b>Product Description</b>                   |
|--------------------|--|
| PVS0517            | Pole Vault Standards, 5' - 17' Height Range  |
| PVS1021            | Pole Vault Standards, 10' - 21' Height Range |

|                                    |          |
|------------------------------------|----------|
| Pole Vault Standards Overview..... | ID-00055 |
| Pole Vault Standard Assembly.....  | ID-00170 |

**Tools Required:** 7/16" Socket, 1/2" Socket, 9/16" Socket, 9/16" Wrench, 3/16" Allen Wrench



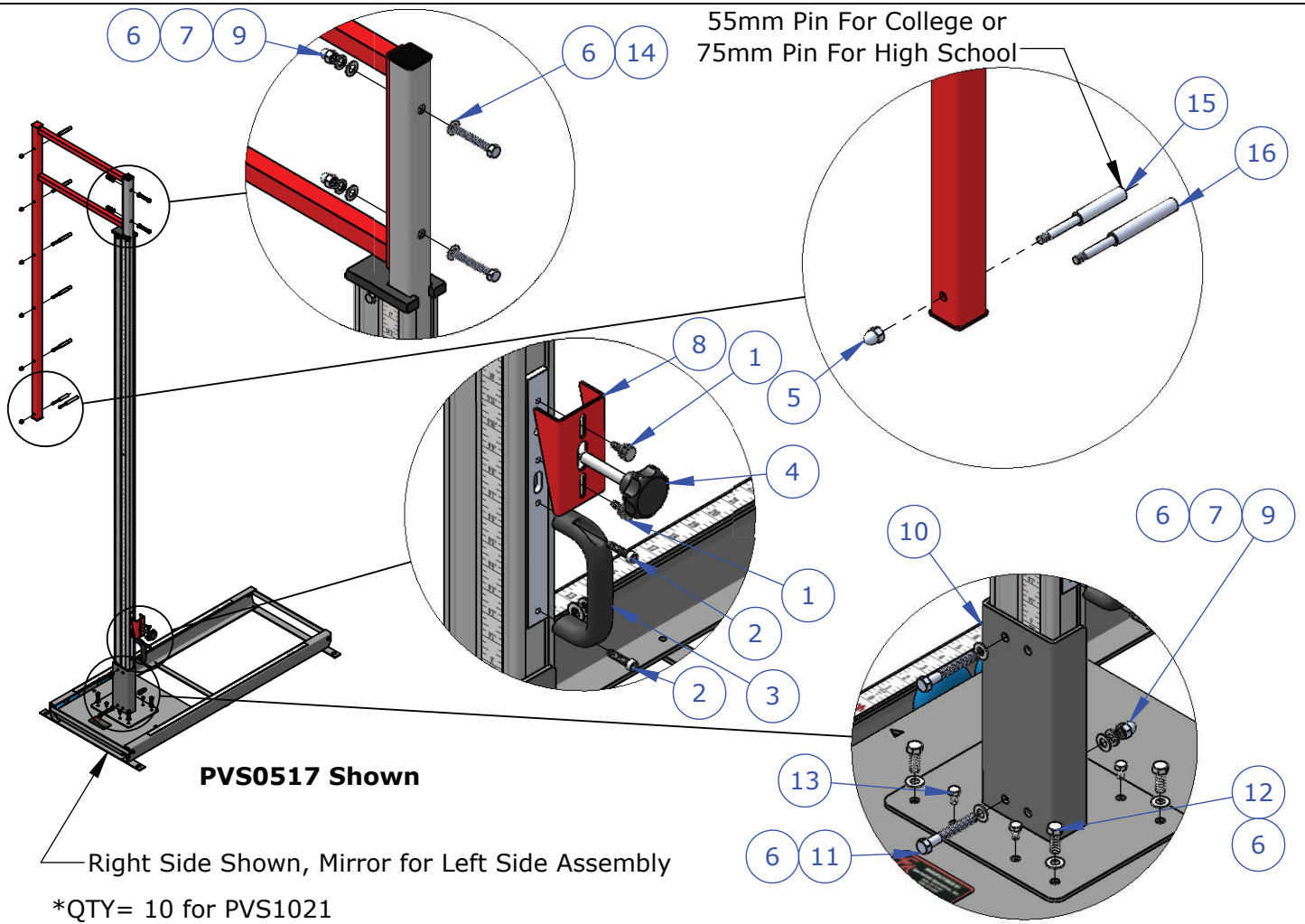
TITLE:

Pole Vault Standards  
Overview

DWG NO:

ID-00055

SHEET 1 OF 1



| ITEM NO. | QTY. | SAP Part Number | DESCRIPTION  |
|----------|------|-----------------|--|
| 1        | 4    | 104-SCREWS-0034 | 1/4-20 x 1/2", Flared Collar Knurled Head Thumb Screw, SS                        |
| 2        | 4    | 104-SCREWS-0036 | 1/4-20 SS Allen Head Cap Screw x 1.0" Length                                     |
| 3        | 2    | PURCHP-0917     | Oval Pull Handle, Black Coated Alum, 4-9/16" Center to Center for 1/4" Fasteners |
| 4        | 2    | PURCHP-0918     | Plastic Star Knob, M10 x 1.5mm, SS, 55mm Stud Length                             |
| 5        | 12*  | 107-HXN-0021    | Nut, 5/16-18 S.S. High Crown Acorn   |
| 6        | 24   | 110-FLW-0005    | 3/8 S.S. FLAT WASHER   |
| 7        | 8    | 110-SLW-0006    | 3/8-16 S. S. Lock Washer   |
| 8        | 2    | E-1000-0086     | Measurement Gauge, 2.125" ID, Painted Red  |
| 9        | 8    | 107-HXN-0015    | 3/8-16 S.S. High Crown Acorn Nut   |
| 10       | 2    | Undefined       | Weld: Stub   |
| 11       | 4    | 101-HHC-0065    | 3/8-16 x 2.75" Hex Head Bolt, 304 SS   |
| 12       | 8    | 101-HHC-0033    | 3/8-16 x 1.00" Hex Head Bolt, 304 SS   |
| 13       | 8    | 101-HHC-0016    | 1/4-20 x .50" hex head bolt, 304 SS  |
| 14       | 4    | 101-HHC-0034    | 3/8-16 x 2.5" Hex Head Bolt, 304 SS  |
| 15       | 12*  | E-0318-0003     | Pole Vault Pin; 55mm   |
| 16       | 12*  | E-0318-0004     | Pole Vault Pin; 75mm   |

TITLE: Pole Vault Standard Assembly

DWG NO: ID-00170  
SHEET 1 OF 1