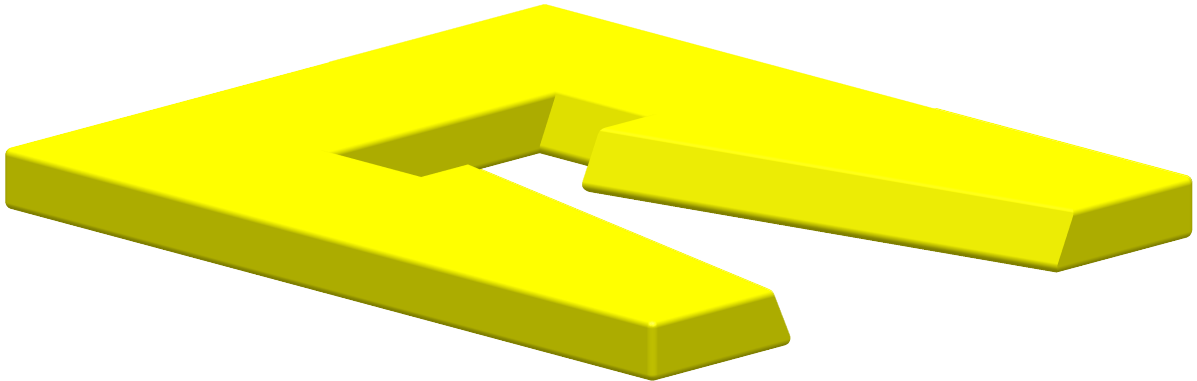
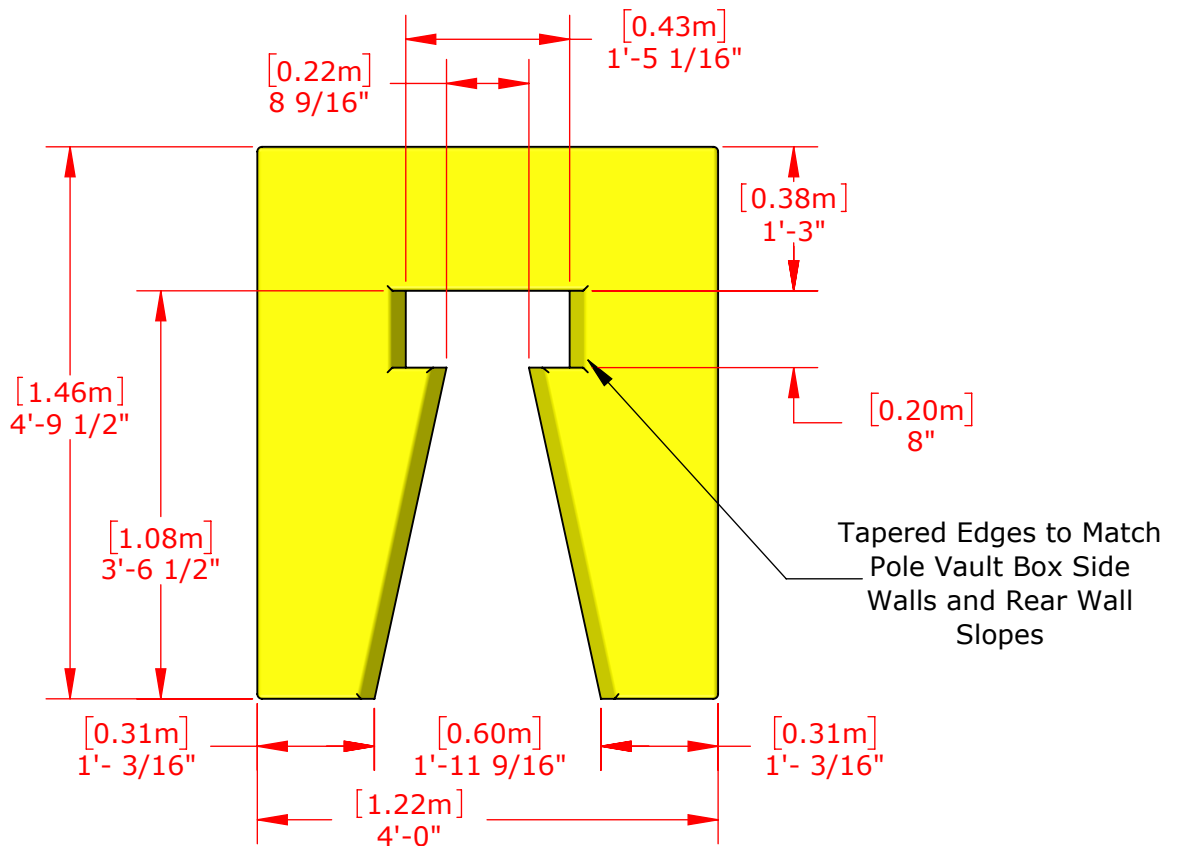


- Planting Box Safety Collar Mandatory in 2003, NFHS Rule 7, Section 5, Article 14
- Meets and/or Exceeds ASTM F2949-12 Standard Specification for Pole Vault Box Collars
- Compliant with 2015 NCAA and NFHS Rules, Requirements and Specifications.
- All Pole Vault Landing Pad Systems Come Standard With A Planting Box Safety Collar



4"H Cross-Linked Polyethylene Foam,
18 oz. Outdoor Yellow Vinyl



The Planting Box Safety Collar Should be Positioned to Cover All the Hard Surfaces Between the Vault Box and the Front Tri-Slant Pieces

PROPRIETARY AND CONFIDENTIAL

THE INFORMATION CONTAINED IN THIS DRAWING IS THE SOLE PROPERTY OF SPORTSFIELD SPECIALTIES INC. ANY REPRODUCTION IN PART OR AS A WHOLE WITHOUT THE WRITTEN PERMISSION OF SPORTSFIELD SPECIALTIES INC. IS PROHIBITED.

PVPBSC Pole Vault Planting Box Safety Collar

Not To Scale

Sportsfield Specialties Inc 07012021