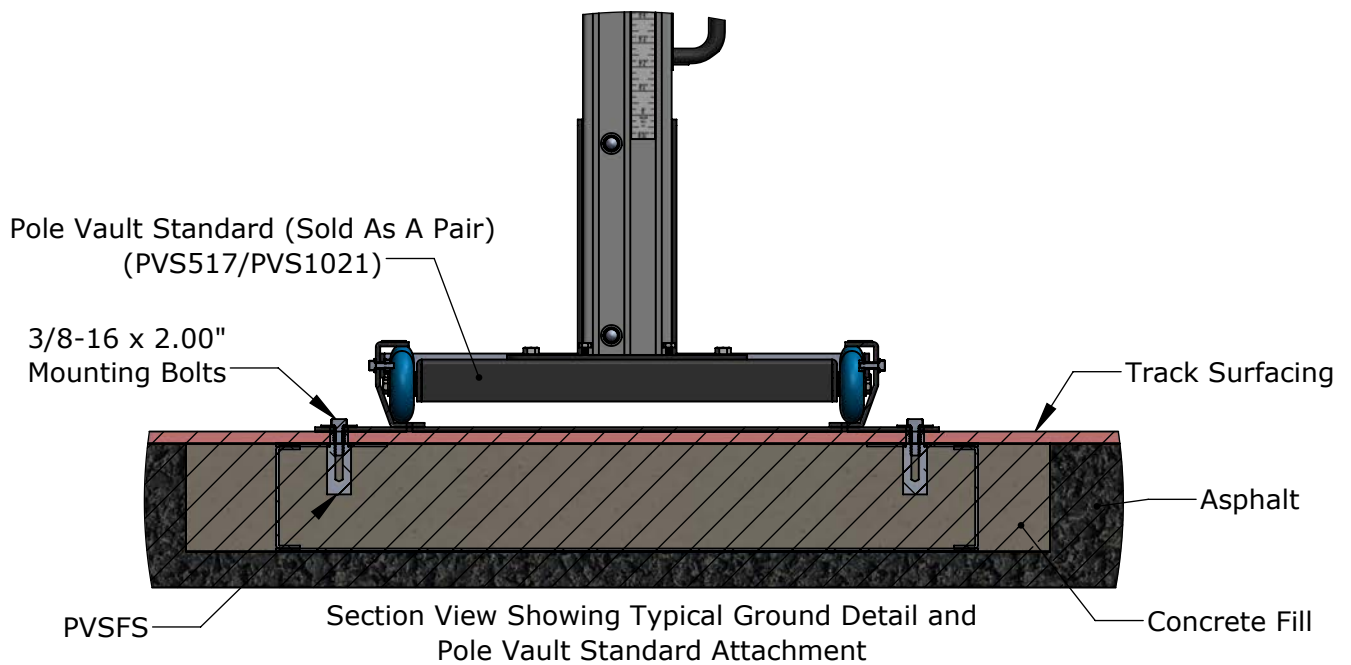
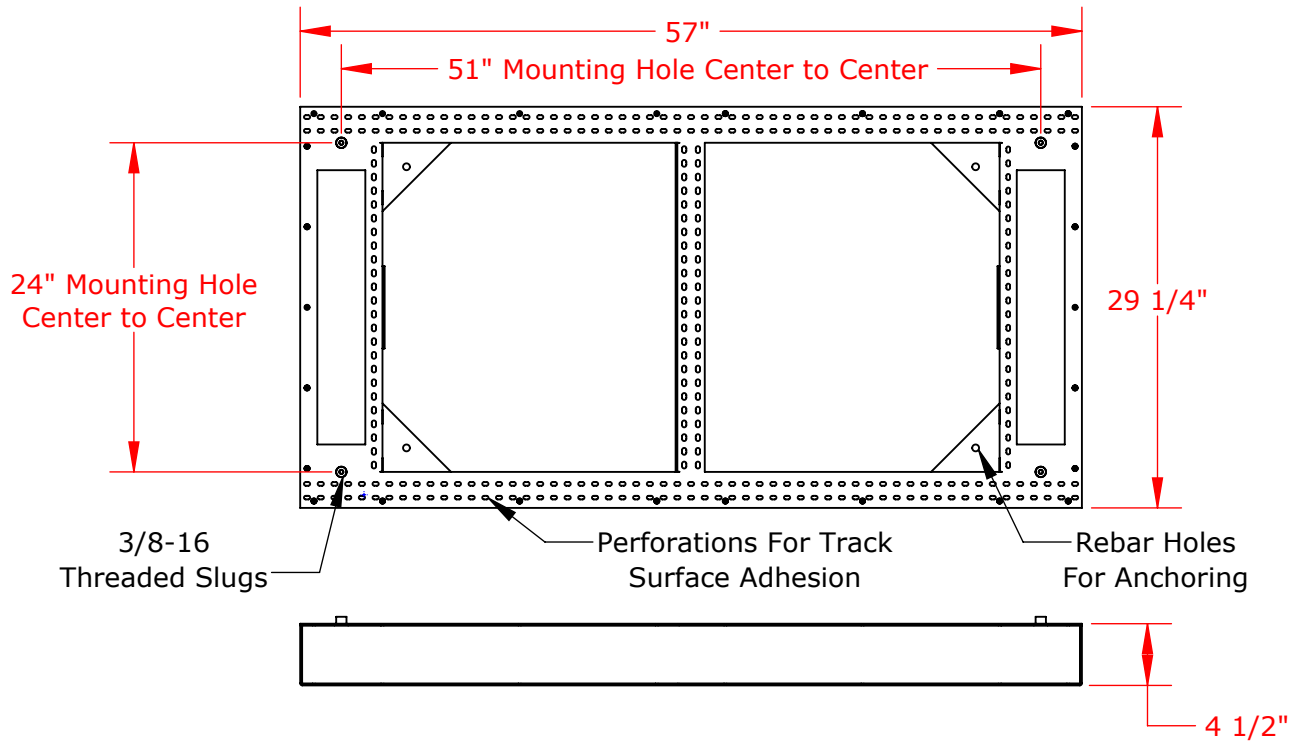


U.S. Patent # 10,604,952, Issued March 31, 2020  
 U.S. Patent # 11,072,902, Issued July 27, 2021



**PROPRIETARY AND CONFIDENTIAL**

THE INFORMATION CONTAINED IN THIS DRAWING IS THE SOLE PROPERTY OF SPORTSFIELD SPECIALTIES INC. ANY REPRODUCTION IN PART OR AS A WHOLE WITHOUT THE WRITTEN PERMISSION OF SPORTSFIELD SPECIALTIES INC. IS PROHIBITED.

# PVSFS Pole Vault Standard Forming System

Not To Scale

Sportsfield Specialties Inc 10132021