



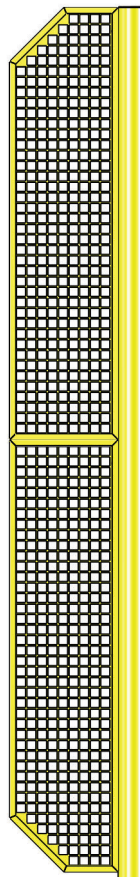
1-888-975-3343

Install Instructions Ground Sleeve Foul Pole

Product No.	Product Description
FP415	Foul Pole System, 15' H, No Wing
FP420	Foul Pole System, 20' H, No Wing
FP630	Foul Pole System, 30' H, No Wing
FP640	Foul Pole System, 40' H, No Wing
FPW415	Foul Pole System, 15' H, With Wing
FPW420	Foul Pole System, 20' H, With Wing
FPW630	Foul Pole System, 30' H, With Wing
FPW640	Foul Pole System, 40' H, With Wing

Ground Sleeve and Upright Installation..... ID-00172
Foul Pole Wing Installation..... ID-00173

Model	Ground Sleeve Part Number	Ground Sleeve Length
FP415 / FPW415	GS430	30"
FP420 / FPW420		
FP630 / FPW630	GS648	48"
FP640 / FPW640		



Check project specific drawings to determine field location.

Step 1

Mark the locations of the ground sleeve in the field.

Step 2

Excavate for footing and set the concrete forms. The footing requirements are to be determined by the designer based on local codes and soil conditions.

Step 3

Center the ground sleeve in the form and secure it in a plumb and level position. The top of the ground sleeve should be flush with finished grade. Ensure the hex bolt and upright slot are perpendicular to the foul line for proper wing orientation. See section A-A.

Step 4

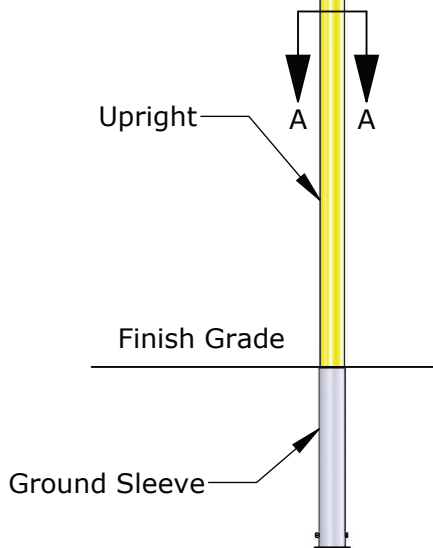
Pour concrete and allow it to fully cure.

Step 5

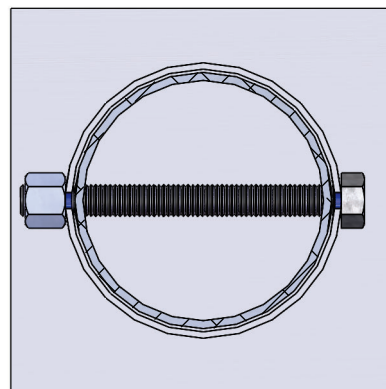
If foul pole has wing panel(s), install them prior to inserting upright into ground sleeve. See ID-00173.

Step 6

Insert upright into ground sleeve.



FPW630 Wing Version Shown,
Non-Wing Versions Available



SECTION A-A

TITLE: **Ground Sleeve and Upright Installation**

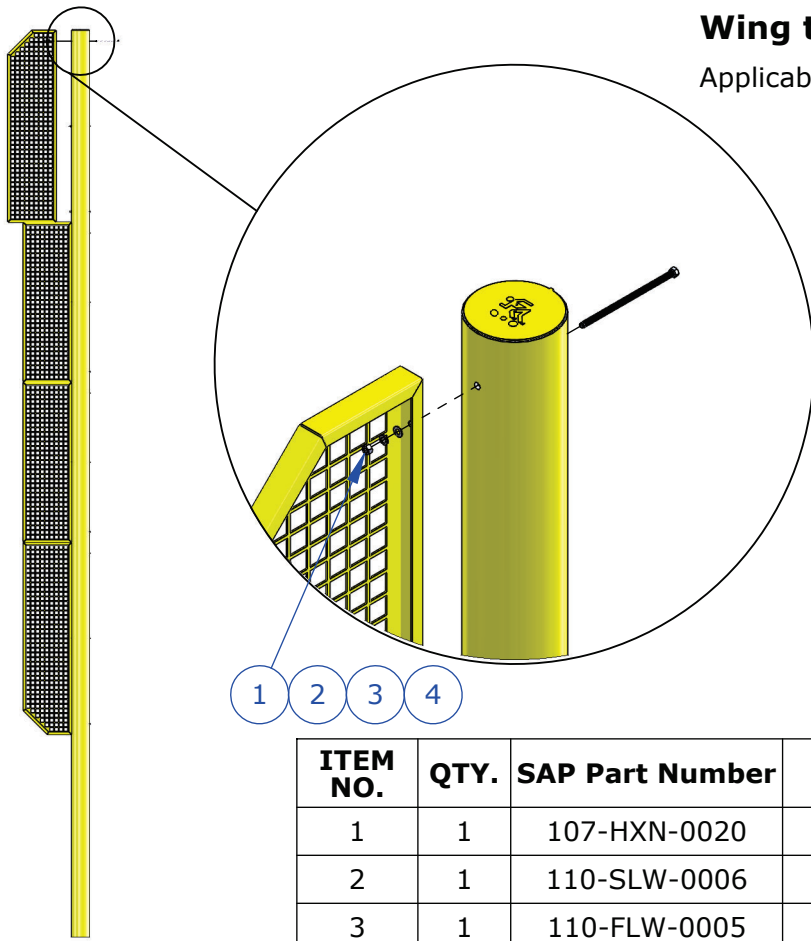
DWG NO:

ID-00172

SHEET 1 OF 1

Wing to Pole Connection

Applicable to Foul Pole with Wing Models Only



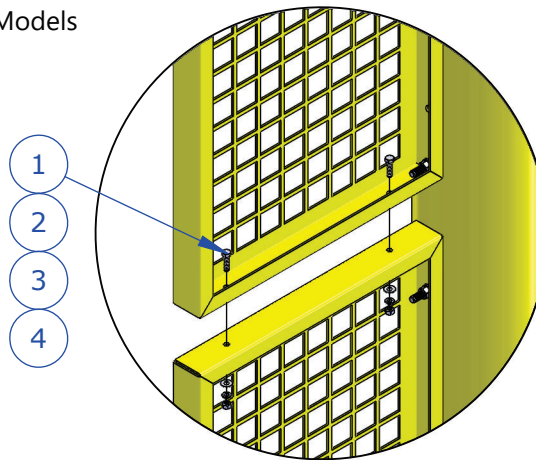
FPW630 Shown

*Qty is Shown per Connection
**Bolt Length will Vary by Upright OD

ITEM NO.	QTY.	SAP Part Number	DESCRIPTION
1	1	107-HXN-0020	3/8-16 STAINLESS STEEL HEX NUT
2	1	110-SLW-0006	3/8-16 S. S. Lock Washer
3	1	110-FLW-0005	3/8 S.S. FLAT WASHER
4	1	101-HHC-0043	3/8-16 x 8.00" Hex Head Bolt, 304 SS**

Wing to Wing Connection

Not Applicable to 15' High and Portable Models



FPW630 Shown

*Qty Shown are Per Wing to Wing Connection

ITEM NO.	QTY.	SAP Part Number	DESCRIPTION
1	2	101-HHC-0021	1/4-20 x 1.00" hex head bolt, 304 SS
2	2	110-FLW-0002	1/4" S.S. FLAT WASHER
3	2	110-SLW-0002	1/4 SS LOCK WASHER
4	2	107-HXN-0010	1/4-20 STAINLESS STEEL HEX NUT

TITLE:

Foul Pole Wing Installation

DWG NO:

ID-00173

SHEET 1 OF 1