



1-888-975-3343

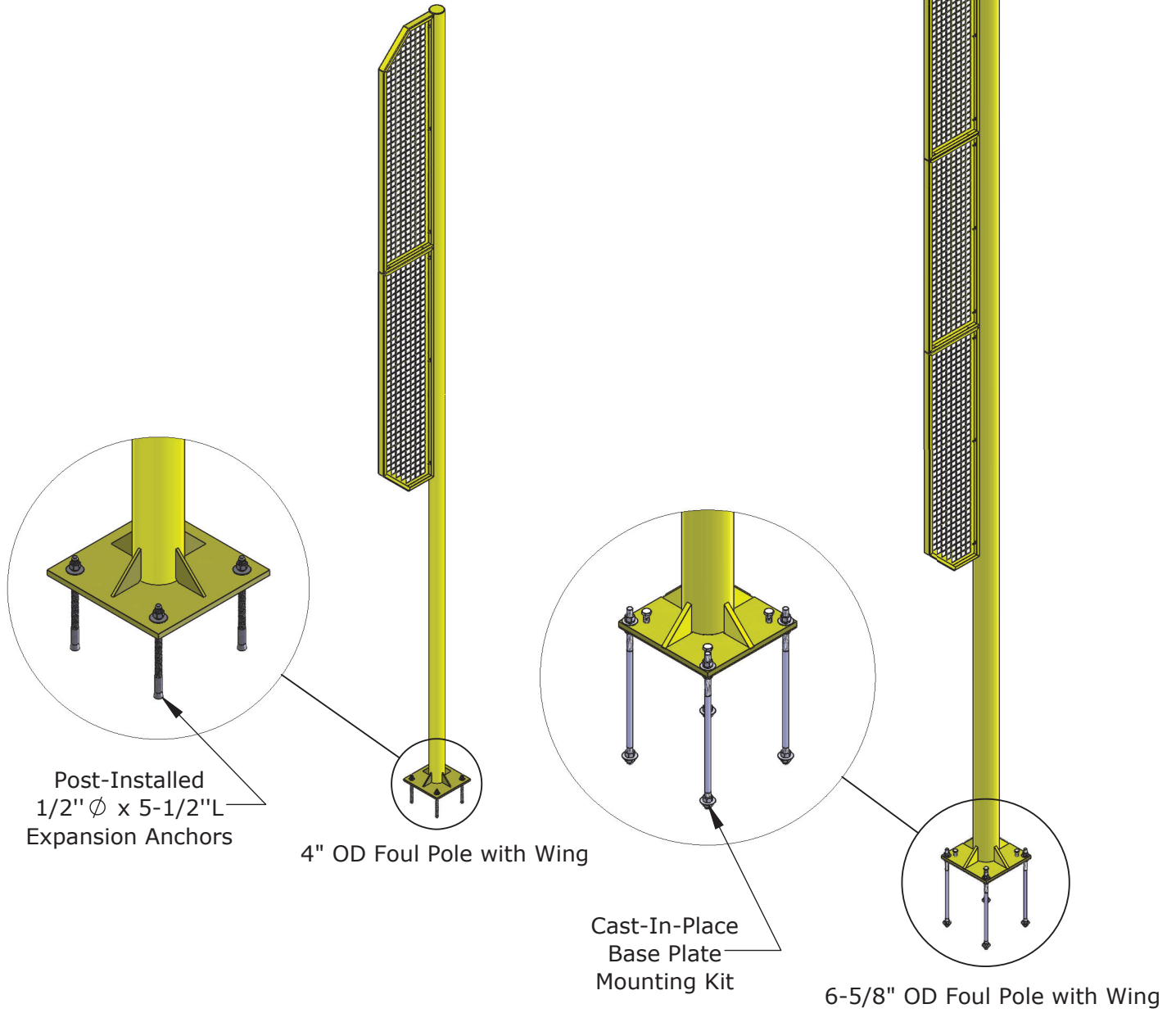
Install Instructions Plate Mount Foul Pole

Product No.	Product Description
FP415PL	Foul Pole System, 15' H, No Wing
FP420PL	Foul Pole System, 20' H, No Wing
FP630PL	Foul Pole System, 30' H, No Wing
FP640PL	Foul Pole System, 40' H, No Wing
FPW415PL	Foul Pole System, 15' H, With Wing
FPW420PL	Foul Pole System, 20' H, With Wing
FPW630PL	Foul Pole System, 30' H, With Wing
FPW640PL	Foul Pole System, 40' H, With Wing

Plate Mount Foul Pole Overview.....	ID-00178
4" Plate Mount Installation.....	ID-00174
Base Plate Mounting Kit.....	ID-00175
6" Plate Mount Installation.....	ID-00219
Foul Pole Wing Installation.....	ID-00173

Model	Anchor Type
FP415PL / FPW415PL	Post-Installed 1/2" ϕ x 5-1/2"L Expansion Anchors
FP420PL / FPW420PL	
FP630PL / FPW630PL	Cast-In-Place Base Plate Mounting Kit
FP640PL / FPW640PL	

Plate Mount Foul Poles without Wing Available



TITLE:	Plate Mount Foul Pole Overview	DWG NO:	ID-00178
			SHEET 1 OF 1

Check project specific drawings to determine field location.

Step 1

Mark the location of the foul pole in the field

Step 2

Excavate for footing and set the concrete forms. The footing requirements are to be determined by the designer based on local codes and soil conditions.

Step 3

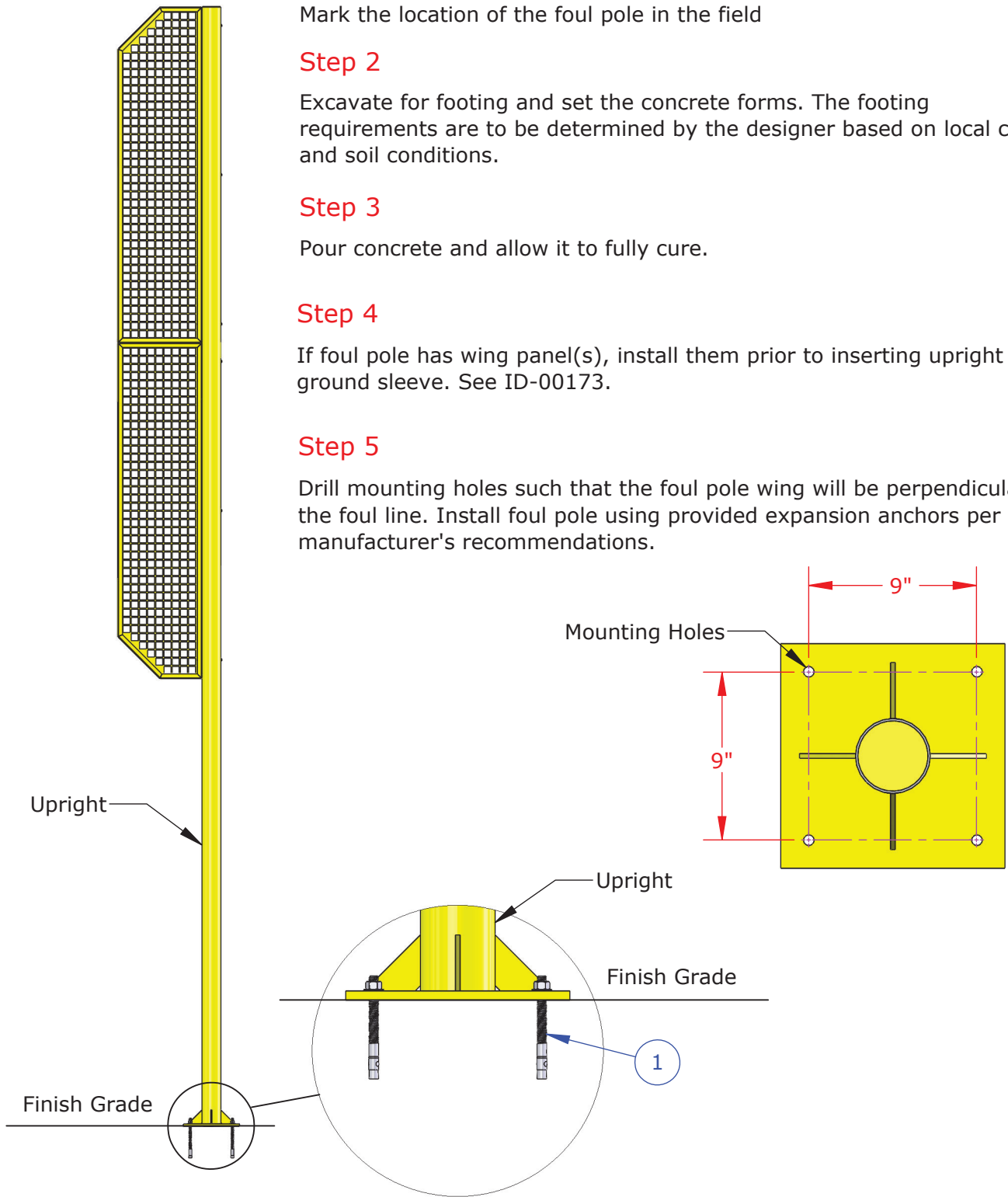
Pour concrete and allow it to fully cure.

Step 4

If foul pole has wing panel(s), install them prior to inserting upright into ground sleeve. See ID-00173.

Step 5

Drill mounting holes such that the foul pole wing will be perpendicular to the foul line. Install foul pole using provided expansion anchors per manufacturer's recommendations.



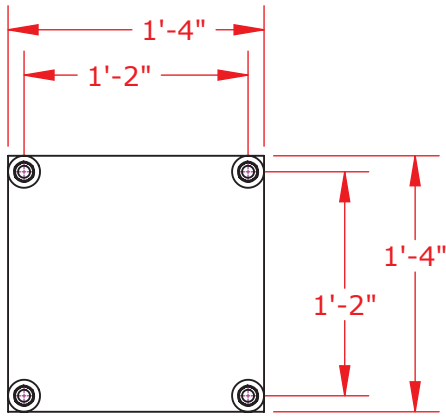
ITEM NO.	QTY.	SAP Part Number	DESCRIPTION
1	4	PURCHP-0643	Exp anchor KB3 1/2" x 5-1/2" LT HDG

TITLE:
4" Plate Mount Installation

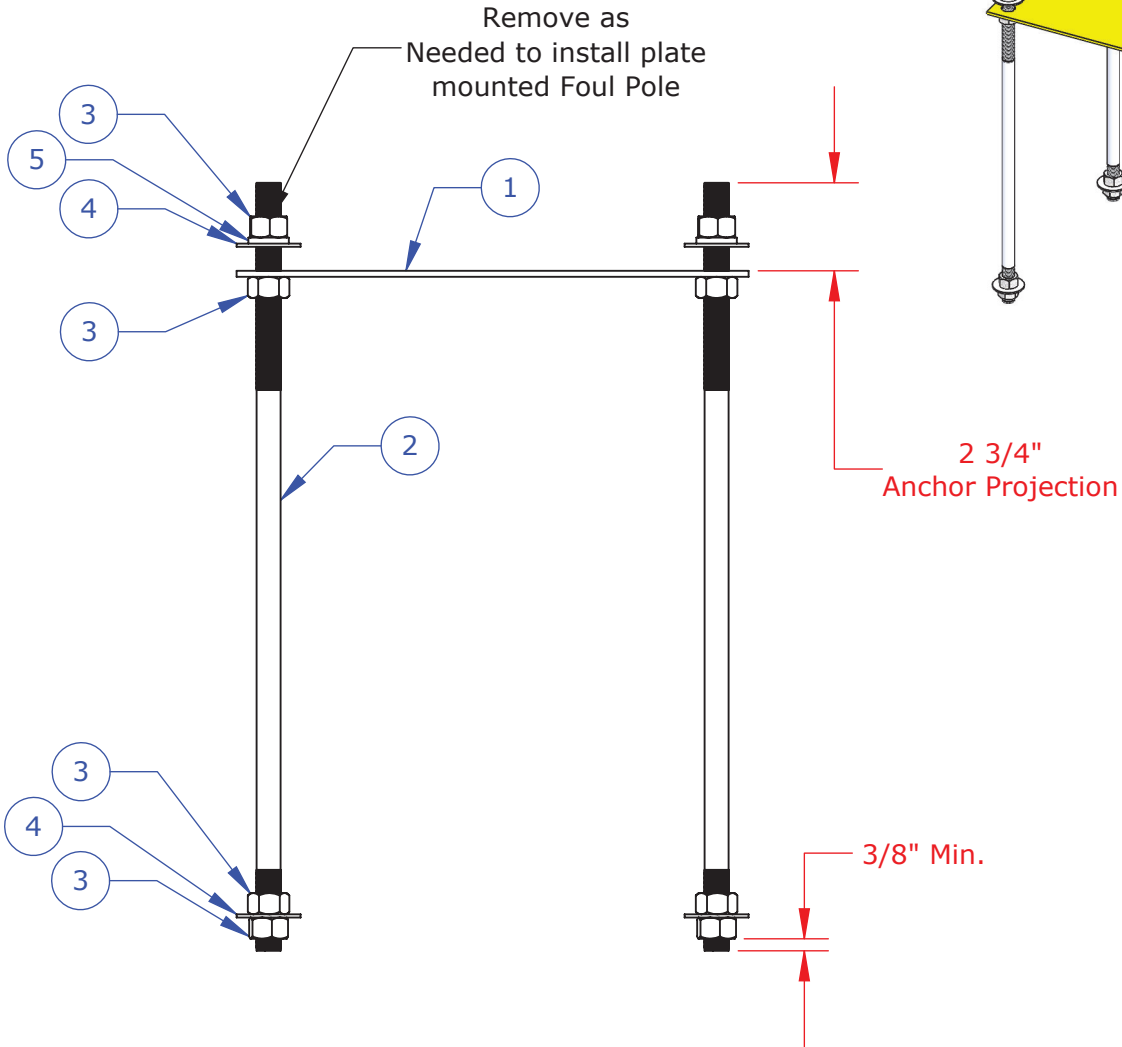
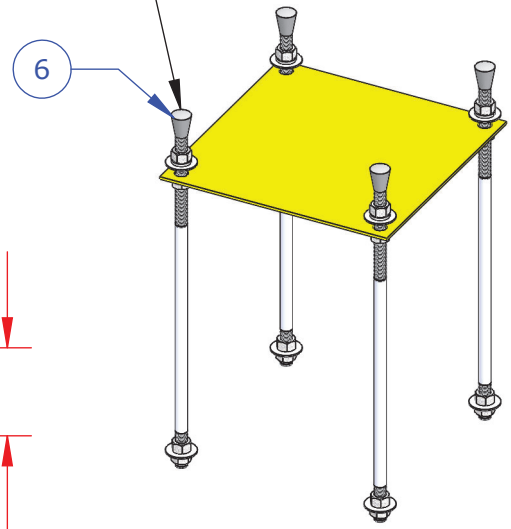
DWG NO:
ID-00174

SHEET 1 OF 1

Note: Applicable to 6-5/8" OD Foul Poles Only



Plastic Caps
Provided to Protect
Anchors during
Concrete Pour



ITEM NO.	QTY.	SAP Part Number	DESCRIPTION
1	1	E-1000-0079	Mounting Plate, Steel, 7 Gauge, 16" x 16", Four 0.875" Holes
2	4	PURCHP-0680	3/4-10X24" ANCHOR BOLT, Galvanized
3	16	108-HXN-0003	3/4-10 Galvanized Hex Nut
4	8	111-FLW-0003	3/4 Galv. FLAT WASHER
5	4	111-SLW-0003	3/4-10 Galvanized Lock Washer
6	4	PURCHP-0282	CAP, THREAD PLASTIC

TITLE:

Base Plate Mounting Kit

DWG NO:

ID-00175

SHEET 1 OF 1

Check project specific drawings to determine field location.

Step 1

Mark the location of the foul pole in the field

Step 2

Excavate for footing and set the concrete forms. The footing requirements are to be determined by the designer based on local codes and soil conditions.

Step 3

After pouring concrete into the form, embed the base plate mounting kit assembly into the concrete keeping the top surface of the steel ground plate flush with the top of the footing. Verify the steel plate is level and position the bolts such that the foul pole wing will be perpendicular to the foul line and allow concrete to fully cure.

Step 4

Remove base plate mounting kit hardware (reference ID-00175).

Step 5

If foul pole has wing panel(s), install them prior to inserting upright into ground sleeve. See ID-00173.

Step 6

Install upright onto the base plate mounting kit.

Step 7

Re-install base plate mounting kit hardware and tighten.

Step 8

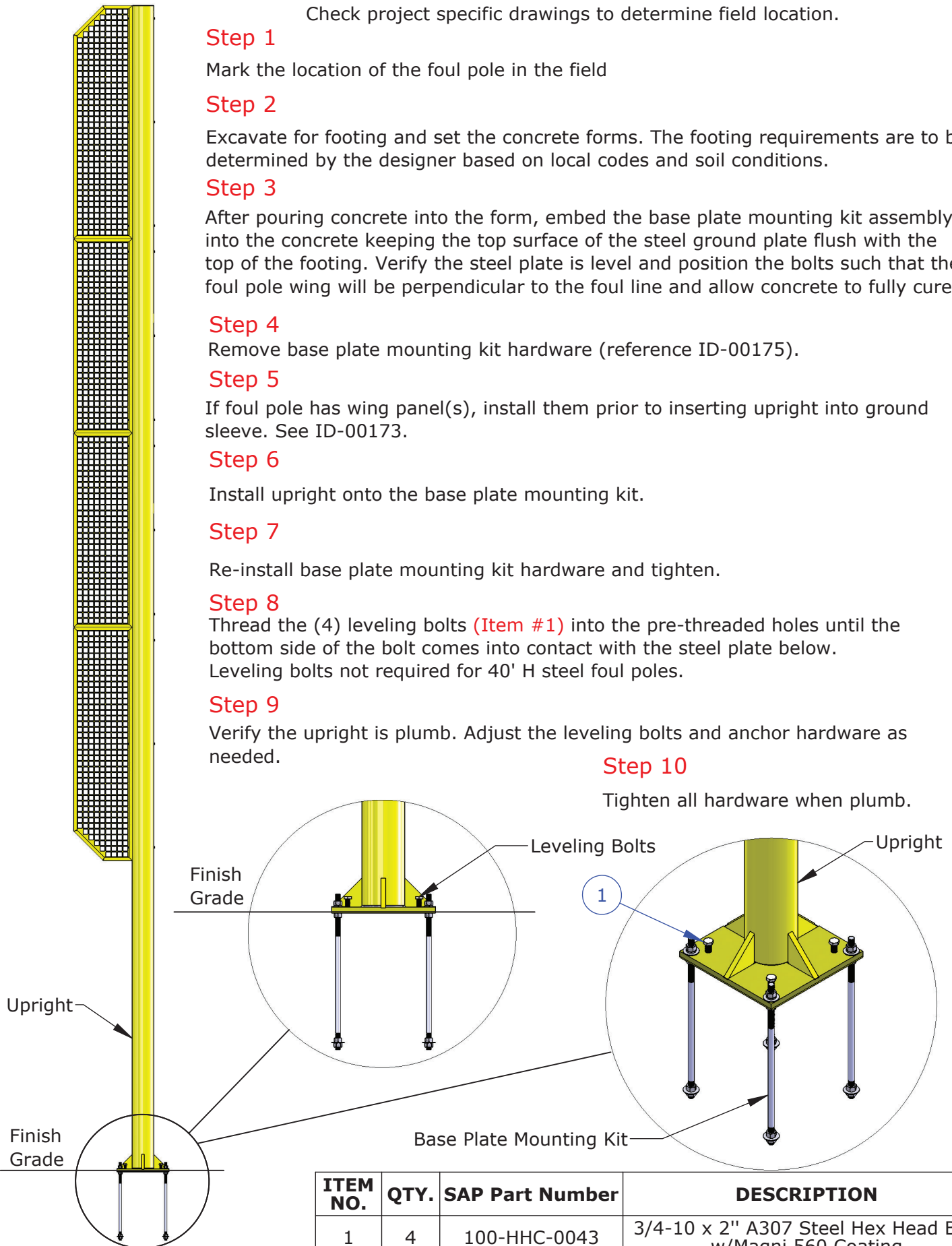
Thread the (4) leveling bolts (Item #1) into the pre-threaded holes until the bottom side of the bolt comes into contact with the steel plate below. Leveling bolts not required for 40' H steel foul poles.

Step 9

Verify the upright is plumb. Adjust the leveling bolts and anchor hardware as needed.

Step 10

Tighten all hardware when plumb.



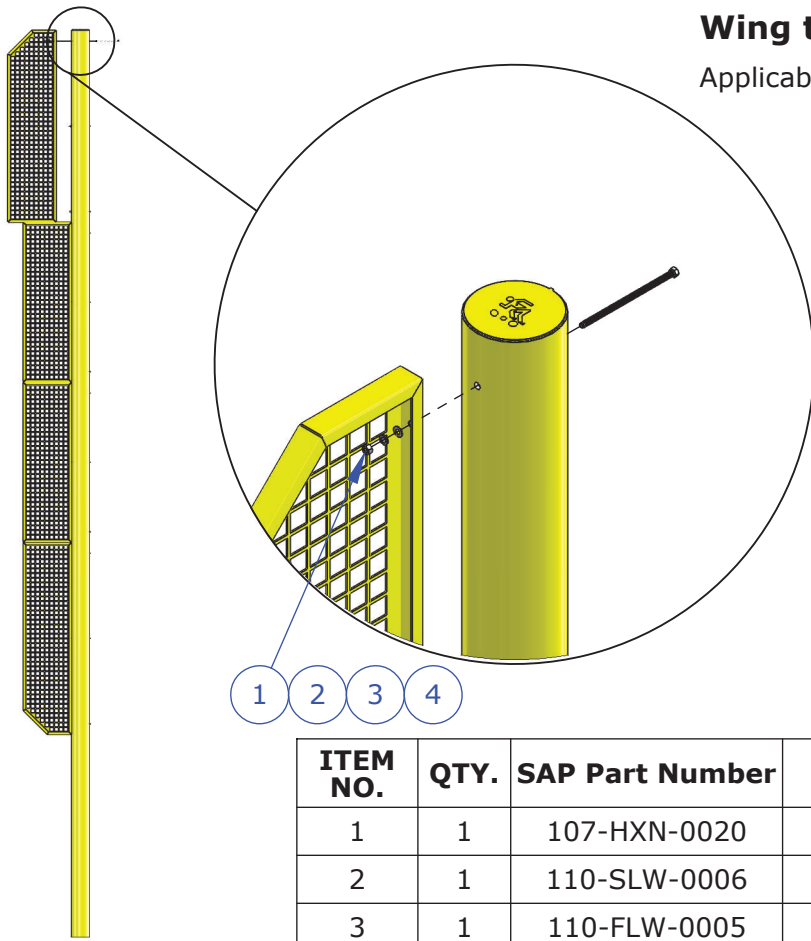
ITEM NO.	QTY.	SAP Part Number	DESCRIPTION
1	4	100-HHC-0043	3/4-10 x 2" A307 Steel Hex Head Bolt w/Magni 560 Coating

TITLE: **6" Plate Mount Installation**

DWG NO: **ID-00219**
SHEET 1 OF 1

Wing to Pole Connection

Applicable to Foul Pole with Wing Models Only



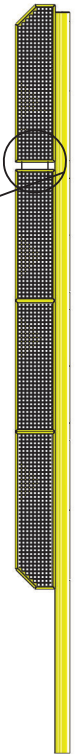
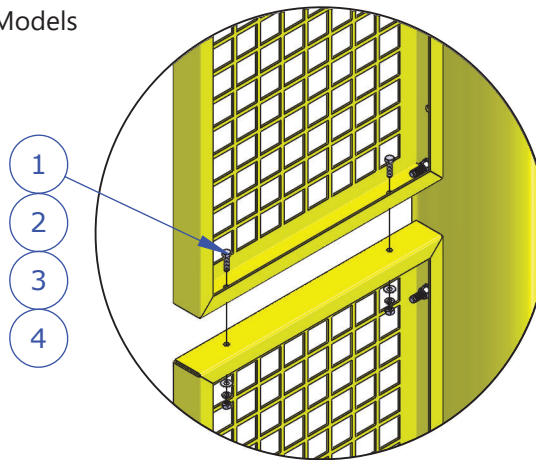
FPW630 Shown

*Qty is Shown per Connection
**Bolt Length will Vary by Upright OD

ITEM NO.	QTY.	SAP Part Number	DESCRIPTION
1	1	107-HXN-0020	3/8-16 STAINLESS STEEL HEX NUT
2	1	110-SLW-0006	3/8-16 S. S. Lock Washer
3	1	110-FLW-0005	3/8 S.S. FLAT WASHER
4	1	101-HHC-0043	3/8-16 x 8.00" Hex Head Bolt, 304 SS**

Wing to Wing Connection

Not Applicable to 15' High and Portable Models



FPW630 Shown

*Qty Shown are Per Wing to Wing Connection

ITEM NO.	QTY.	SAP Part Number	DESCRIPTION
1	2	101-HHC-0021	1/4-20 x 1.00" hex head bolt, 304 SS
2	2	110-FLW-0002	1/4" S.S. FLAT WASHER
3	2	110-SLW-0002	1/4 SS LOCK WASHER
4	2	107-HXN-0010	1/4-20 STAINLESS STEEL HEX NUT

TITLE:

Foul Pole Wing Installation

DWG NO:

ID-00173

SHEET 1 OF 1