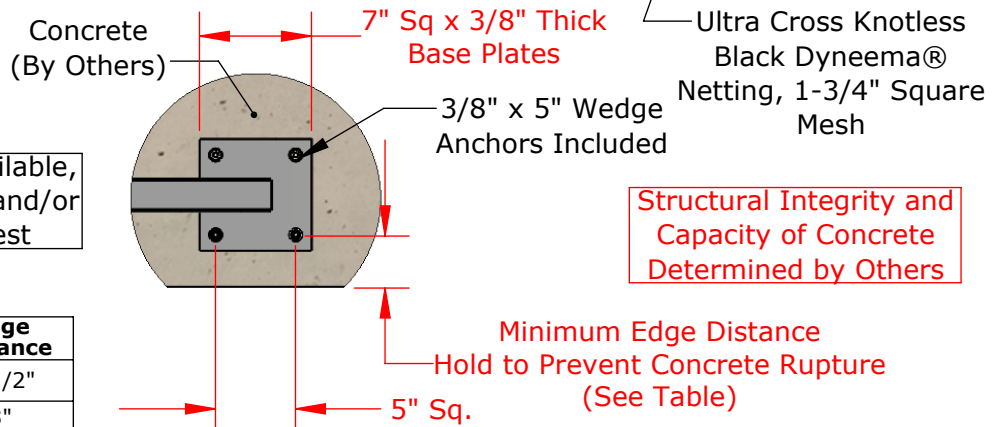
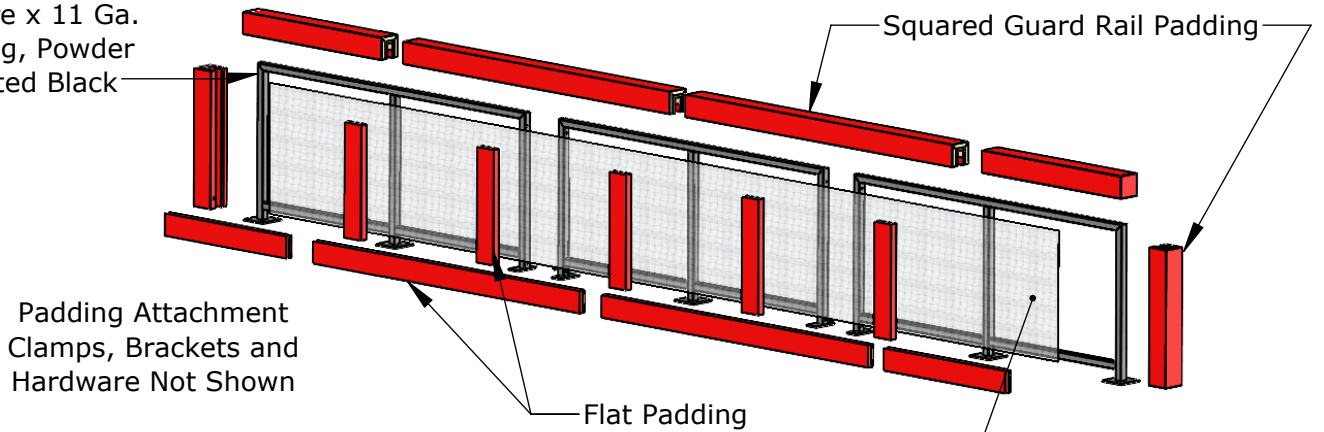


Modularized Steel Structure, Constructed Using 2" Square x 11 Ga. Tubing, Powder Coated Black



Various Standard Vinyl Colors Available, Optional Custom Digital Graphics and/or Lettering Available Upon Request

Part #	Height	Edge Distance
GRS36	36"	2-1/2"
GRS42	42"	3"
GRS48	48"	3-1/4"

PROPRIETARY AND CONFIDENTIAL

THE INFORMATION CONTAINED IN THIS DRAWING IS THE SOLE PROPERTY OF SPORTSFIELD SPECIALTIES INC. ANY REPRODUCTION IN PART OR AS A WHOLE WITHOUT THE WRITTEN PERMISSION OF SPORTSFIELD SPECIALTIES INC. IS PROHIBITED.

## GRS 3'H - 4'H Guard Rail Systems

Not To Scale

Sportsfield Specialties Inc 06102024