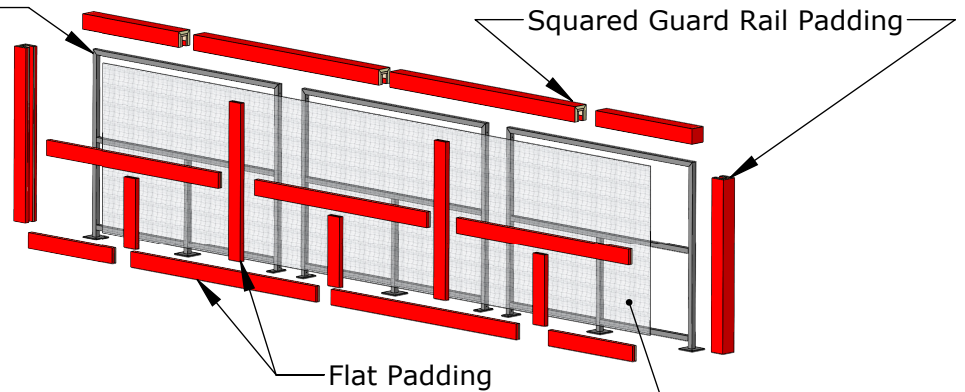


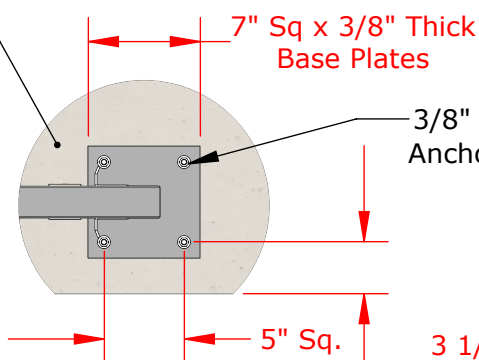
Modularized Steel Structure,
Constructed Using 2" Square
x 11 Ga. Tubing,
Powder Coated Black

Padding Attachment
Clamps, Brackets and
Hardware Not Shown



Concrete
(By Others)

Various Standard Vinyl Colors Available,
Optional Custom Digital Graphics and/or
Lettering Available Upon Request



Structural Integrity and
Capacity of Concrete
Determined by Others

3 1/4" Minimum Edge Distance
Hold to Prevent Concrete Rupture

Part #	Height
GRS72	72"
GRS96	96"

PROPRIETARY AND CONFIDENTIAL

THE INFORMATION CONTAINED IN
THIS DRAWING IS THE SOLE PROPERTY
OF SPORTSFIELD SPECIALTIES INC.
ANY REPRODUCTION IN PART OR AS A
WHOLE WITHOUT THE WRITTEN
PERMISSION OF SPORTSFIELD
SPECIALTIES INC. IS PROHIBITED.

GRS 6'H - 8'H Guard Rail Systems

Not To Scale

Sportsfield Specialties Inc 09082025