



**1-888-975-3343**

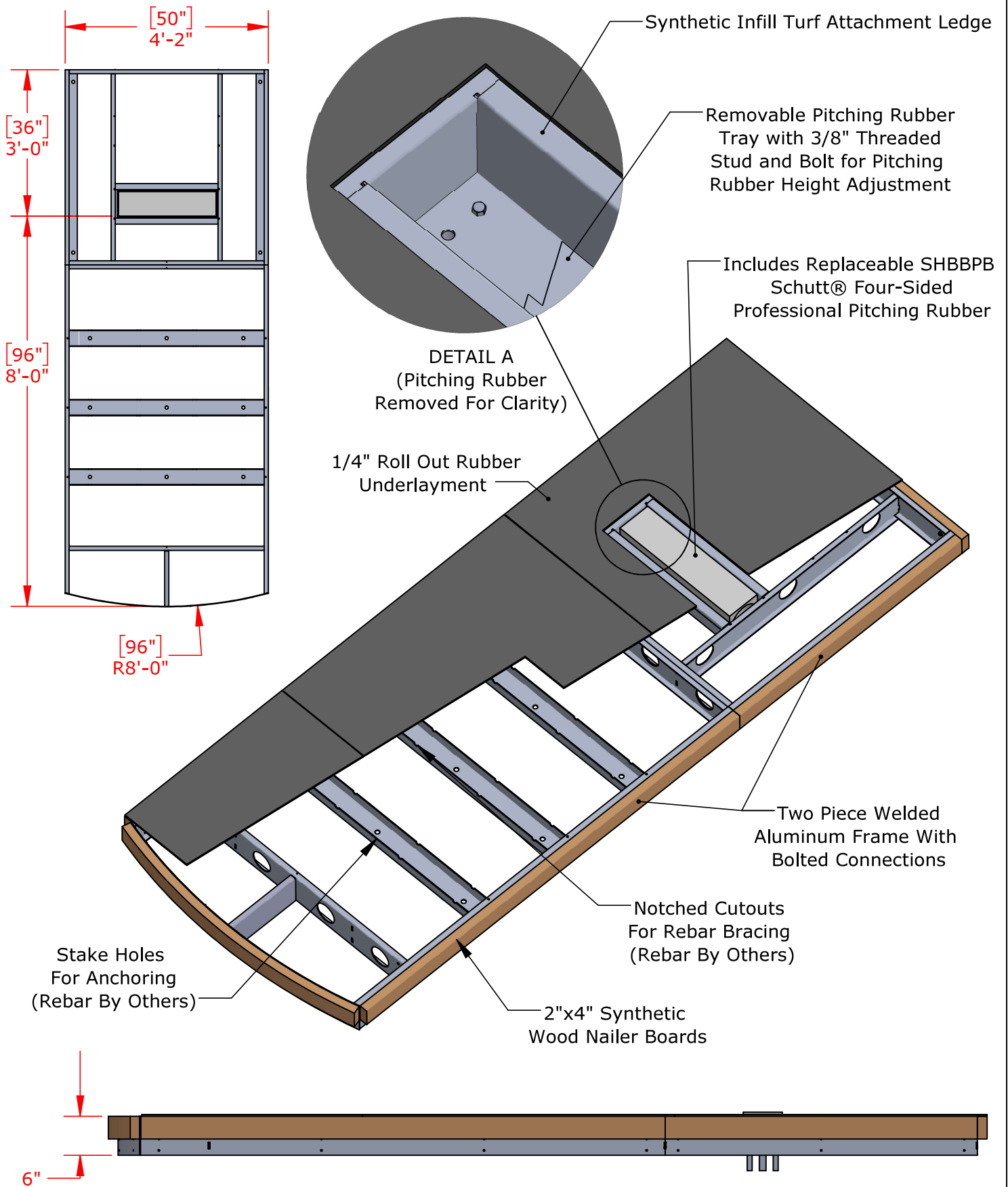
**Install Instructions**

## **Softball Pitching Mound Forming System**

<b>Product No.</b>	<b>Product Description</b>
PMFSS	Softball Pitching Mound Forming System

System Overview.....	ID-00302
System Assembly.....	ID-00303
System Installation.....	ID-00304

Synthetic Turf Provided By And Installed By Others



TITLE:

System Overview

DWG NO:

ID-00302

SHEET 1 OF 1

### Step 1

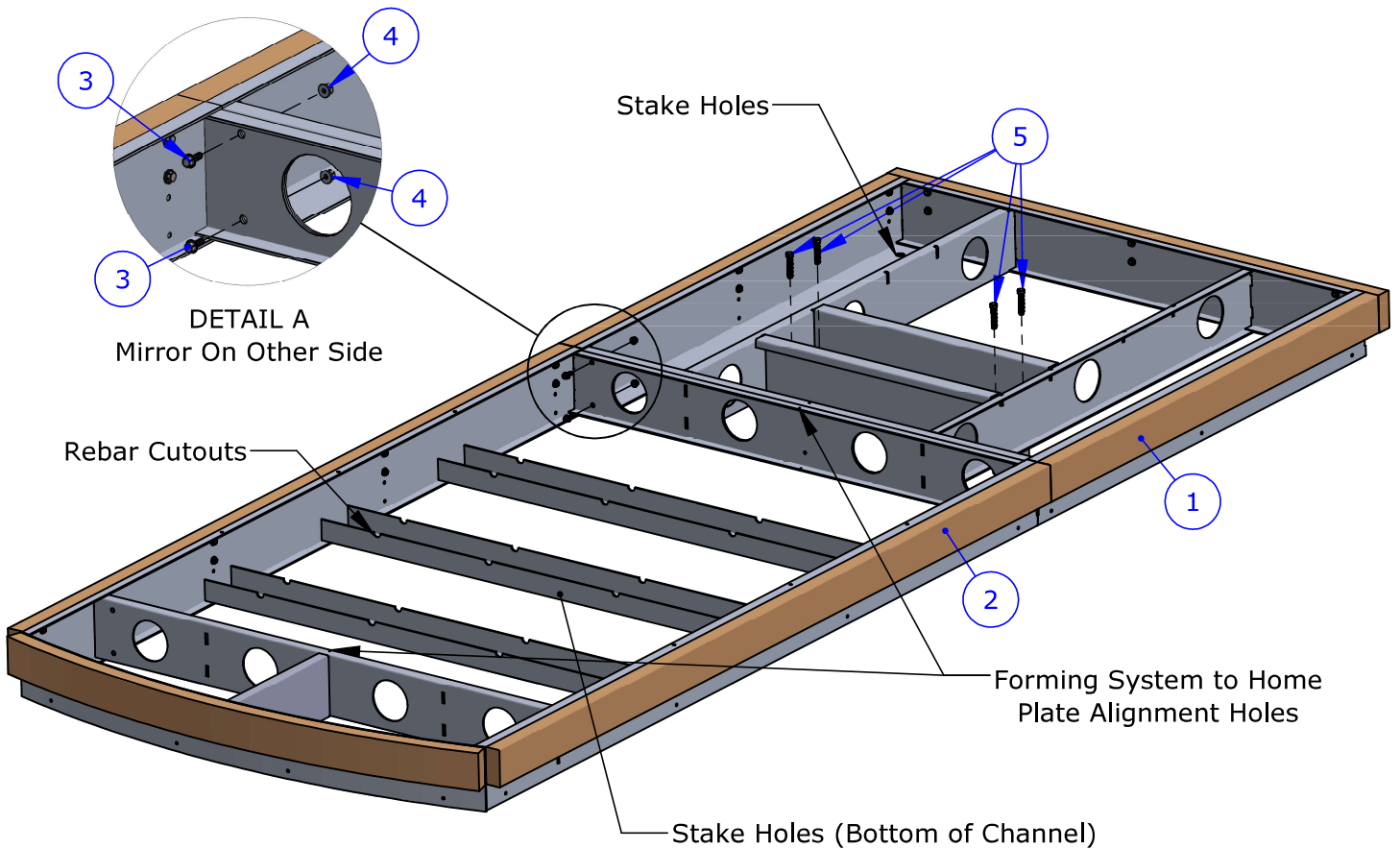
Check project specific drawings to determine field location. The overall forming system height is 6". Align the top surface of the form with the desired grade level of the infill turf (typically top of stone). Excavate or add subbase material as required to ensure finish grade.

### Step 2

Bolt the (2) frame sections together as shown below, and thread in the (4) pitching rubber leveling bolts.

### Step 3

Set the location of the forming system such that the front edge of the pitching rubber is 43' from the apex of home plate. Orient forming system with home plate by aligning centered reference holes in front of and behind pitching rubber recess with a string line coming from the apex of home plate.



### Step 4

Stake the forming system in place by driving #4 rebar through the provided holes. Lay additional rebar across the frame in the provided rebar cutouts if desired.

ITEM NO.	QTY.	DESCRIPTION	ERPPartNumber
1	1	Rear Section with Nailer, Softball Forming System	Undefined
2	1	Front Section with Nailer, Softball Forming System	Undefined
3	4	1/4-20 X.75 Full Thread Serrated Flange Bolt	101-HWH-0001
4	4	1/4-20 S.S. Serrated Hex Nut	107-HXN-0009
5	4	3/8-16 x 2.00" Hex Head Bolt, 304 SS, Fully Threaded	101-HHC-0058

TITLE:

System Assembly

DWG NO:

ID-00303

SHEET 1 OF 1

Note: Forming System can be filled with either concrete or stone aggregate

**Step 1**

Fill with concrete or aggregate. Approximately 1 yard of concrete or aggregate is required per forming system. Keep pitching rubber recess free of fill material by covering/plugging opening and do not cover 2"x4" synthetic wood nailer boards with concrete.

**Step 2**

Once concrete or aggregate has been placed, lay factory precut roll out rubber underlayment on form as shown below.

**Step 3**

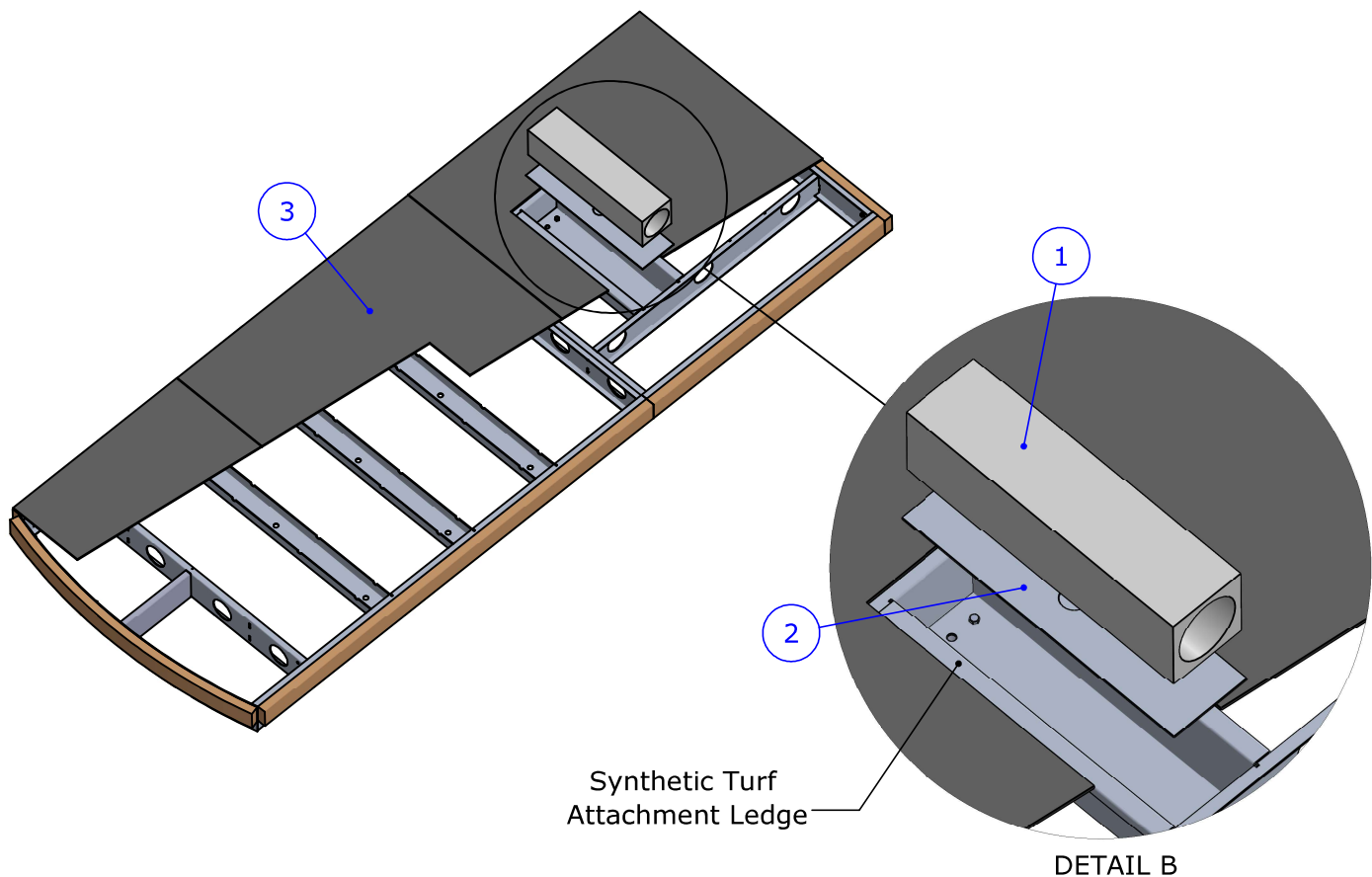
Cut and secure the synthetic infill turf to the provided synthetic turf attachment ledges and 2"x4" synthetic wood nailer boards. Cut and fold turf down into pitching rubber recess and secure. Synthetic turf and attachment methods provided by others.

**Step 4**

Place the pitching rubber into the recess. Adjust the pitching rubber tray height as needed by adjusting leveling bolt heights. The turf that was folded into the pitching rubber recess in Step 3 may need to be cut/shaved to allow the pitching rubber to fit snugly.

**Step 5**

Add infill material around pitching rubber as necessary to achieve finish grade.



ITEM NO.	QTY.	DESCRIPTION	ERPPartNumber
1	1	Schutt Official Size Four Way Professional Pitching Rubber	SHBBPB
2	1	Pitching Rubber Tray, Softball Forming System	Undefined
3	1	Rubber Underlayment, Softball Forming System	Undefined

TITLE: <b>System Installation</b>	DWG NO: <b>ID-00304</b>
	<b>SHEET 1 OF 1</b>