

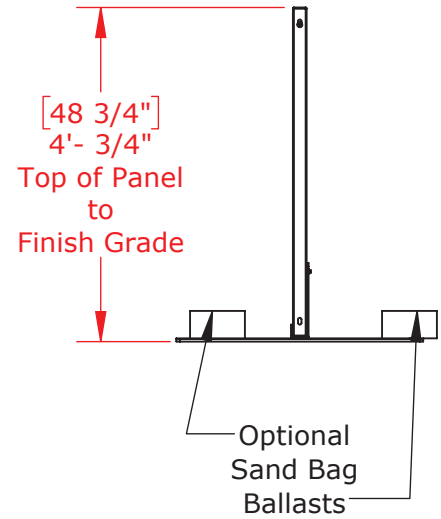
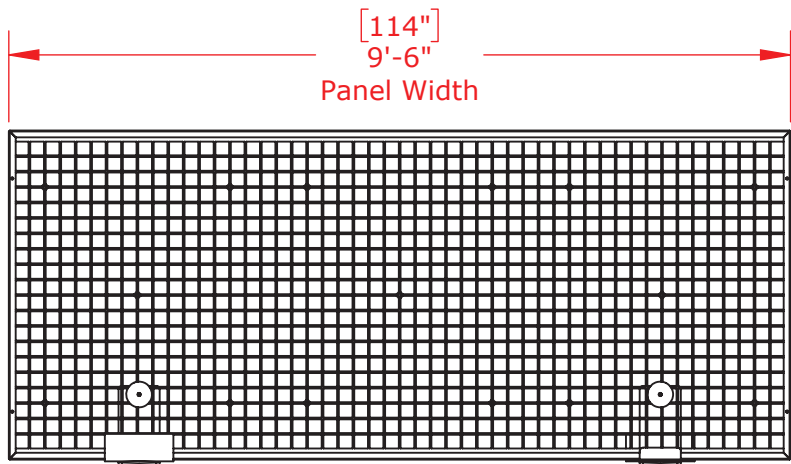
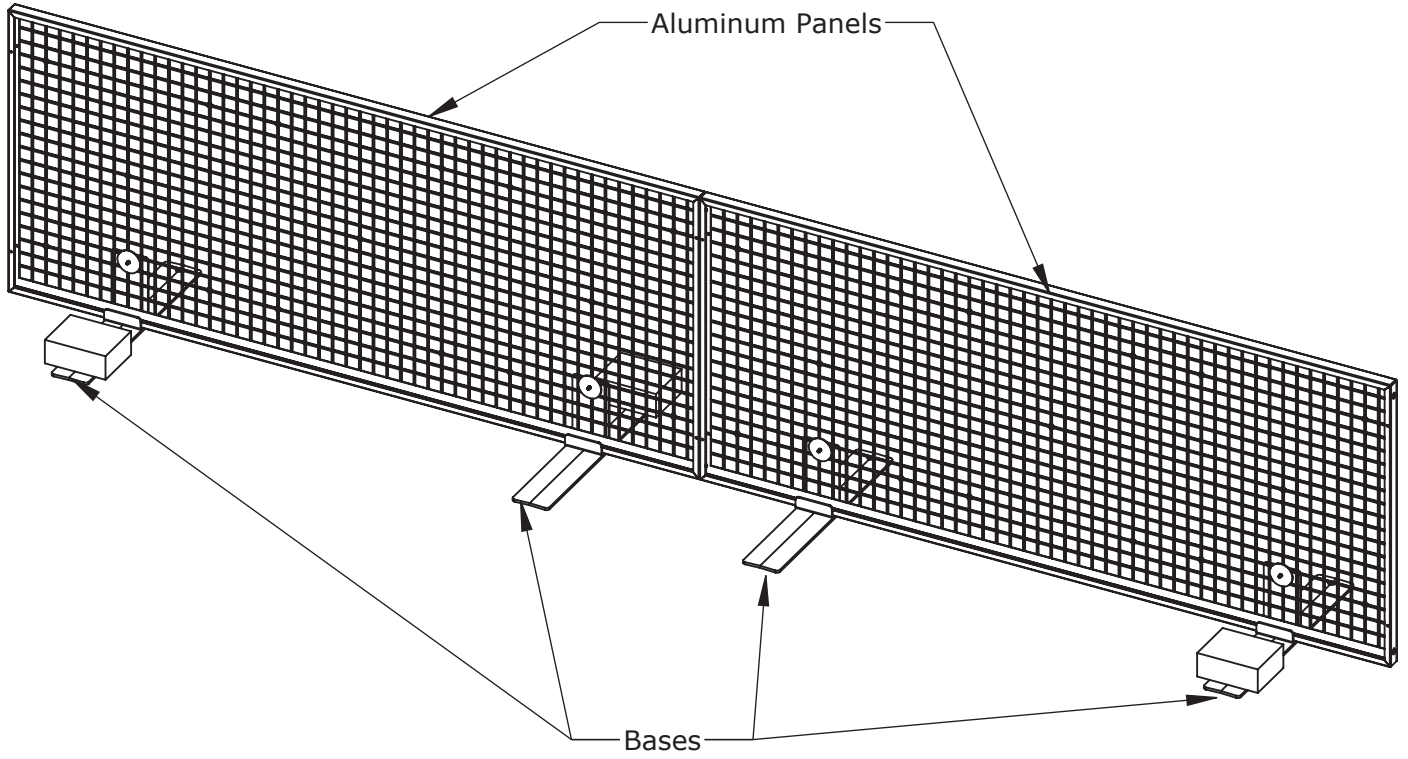


1-888-975-3343

**Install Instructions
Seasonal Fence System**

Product No.	Product Description
SFPT4	Seasonal Fence System, 4'H

System Overview.....	ID-00096
Base to Panel Attachment.....	ID-00097
Panel to Panel Attachment.....	ID-00098
Optional Padding Attachment.....	ID-00278



TITLE:

System Overview

DWG NO:

ID-00096

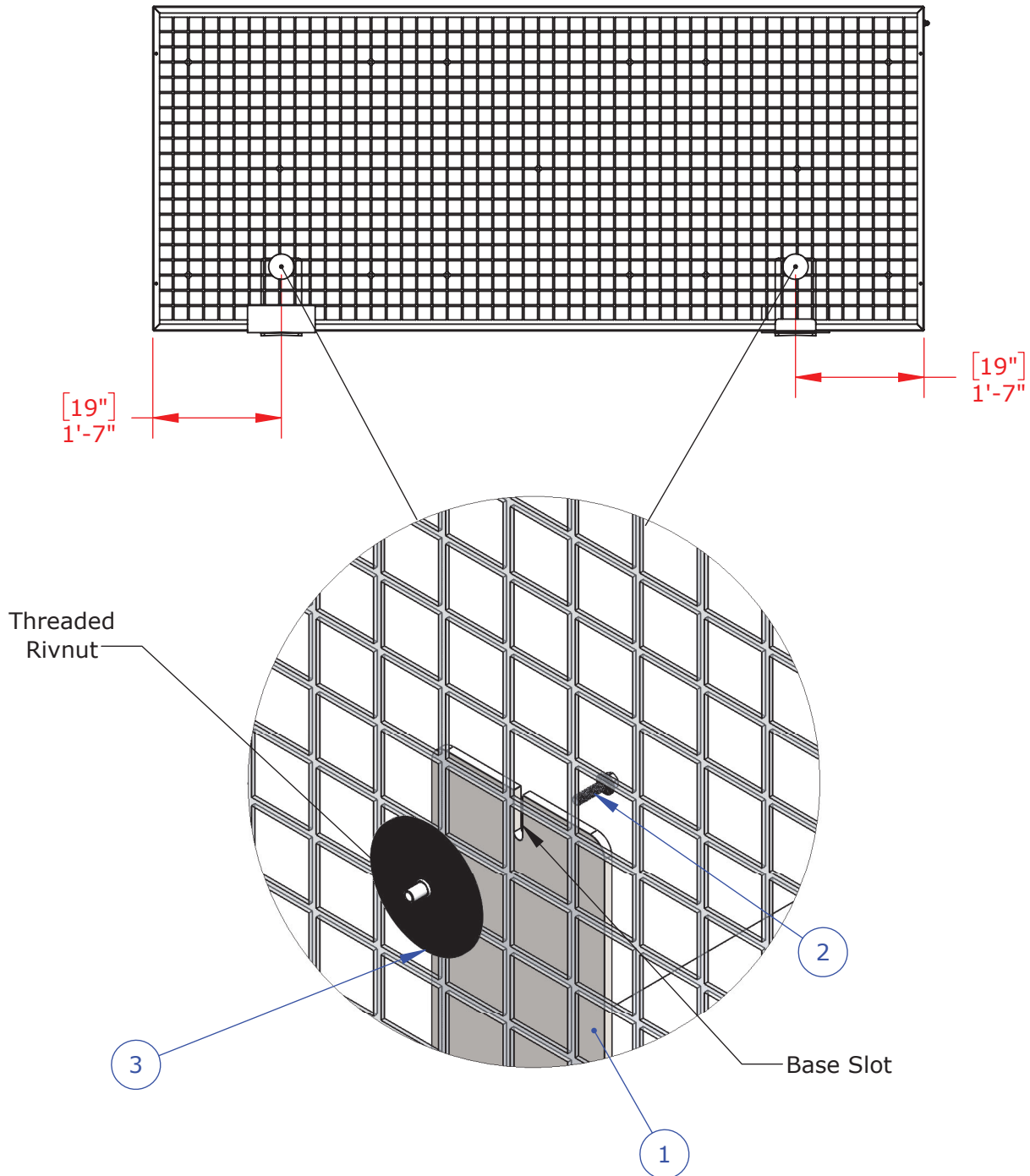
SHEET 1 OF 1

Step 1

Lay out bases to desired configuration according to the single panel shown below. Use (2) bases per panel with end distances as shown.

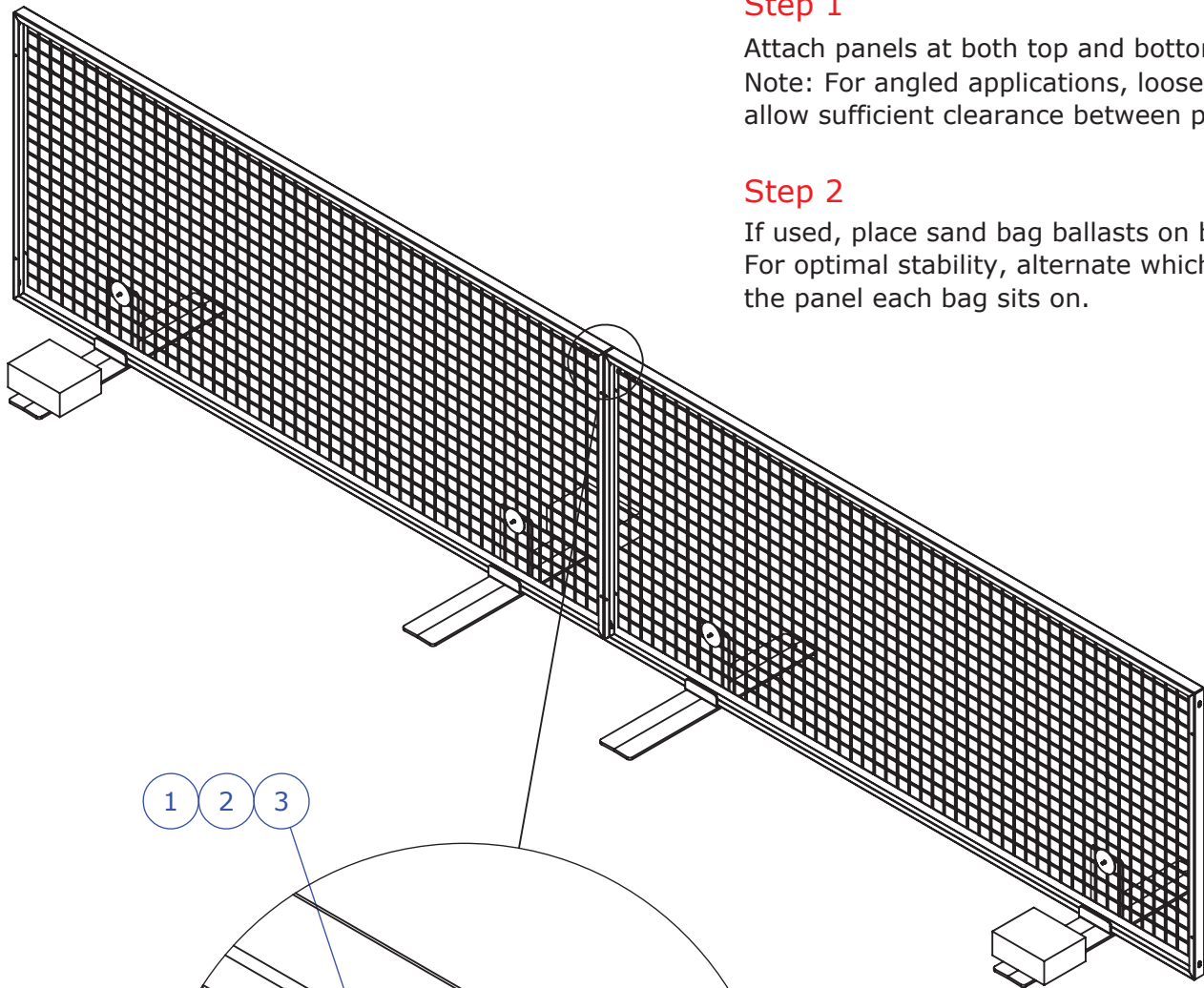
Step 2

Align the threaded rivnut in the washer to the slot in the base. Attach using the serrated flange bolts. The washer should be attached on the front face of the aluminum panel.



ITEM NO.	QTY.	SAP Part Number	DESCRIPTION
1	2	E-0012-S001	Base Assembly, Seasonal, 4' High System
2	2	100-HWH-0001	1/4-20 x 1" Hex Washer Head with serrated flange, Grade 5, Fully Threaded
3	2	Undefined	Backer Plate

TITLE: Base to Panel Attachment	DWG NO: ID-00097
	SHEET 1 OF 1

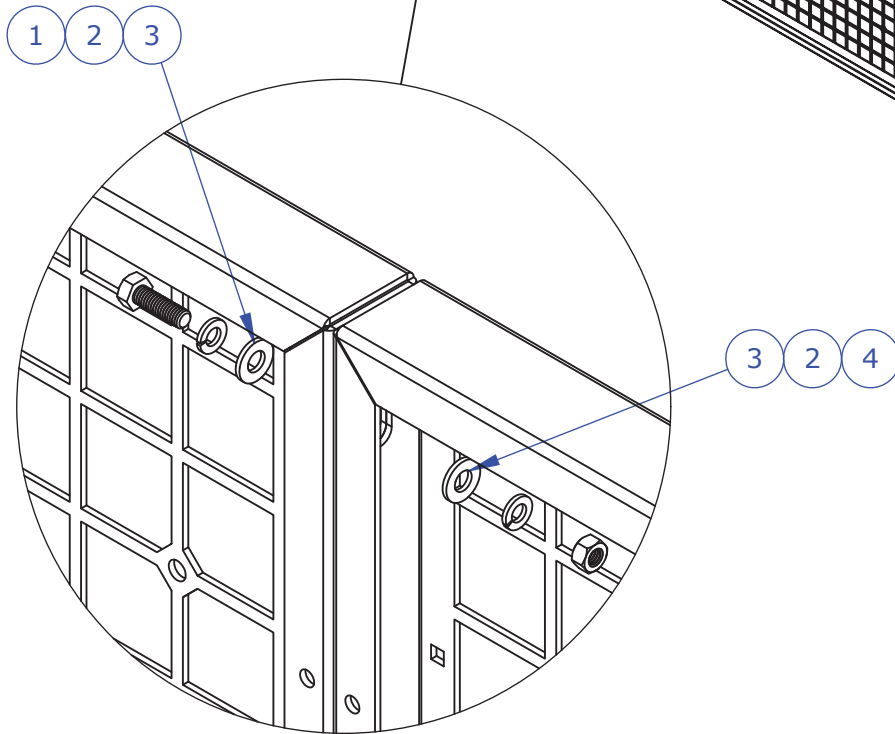


Step 1

Attach panels at both top and bottom.
 Note: For angled applications, loosen bolts to allow sufficient clearance between panels.

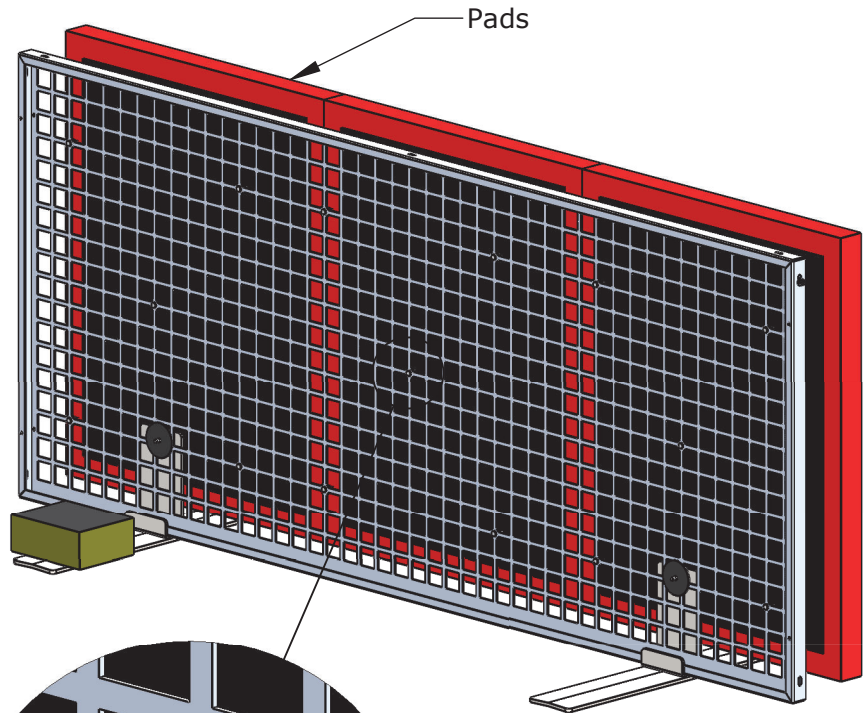
Step 2

If used, place sand bag ballasts on bases.
 For optimal stability, alternate which side of the panel each bag sits on.

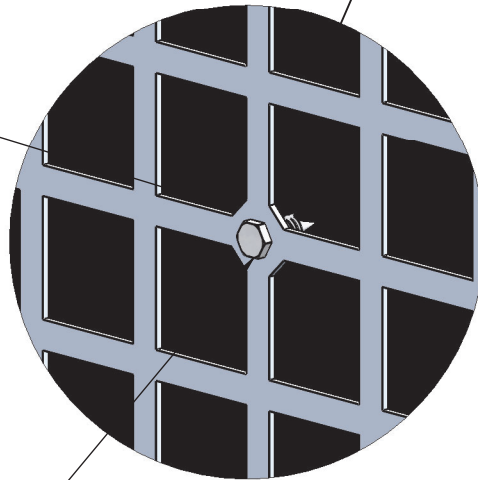


ITEM NO.	QTY.	SAP Part Number	DESCRIPTION
1	2	101-HHC-0048	5/16-18 x 1.00" Hex Head Bolt, 304 SS
2	4	110-SLW-0007	5/16 S.S. LOCK WASHER
3	4	110-FLW-0007	5/16 S.S. FLAT WASHER
4	2	107-HXN-0023	5/16-18 S.S. Hex Nut

TITLE: Panel to Panel Attachment	DWG NO: ID-00098
	SHEET 1 OF 1

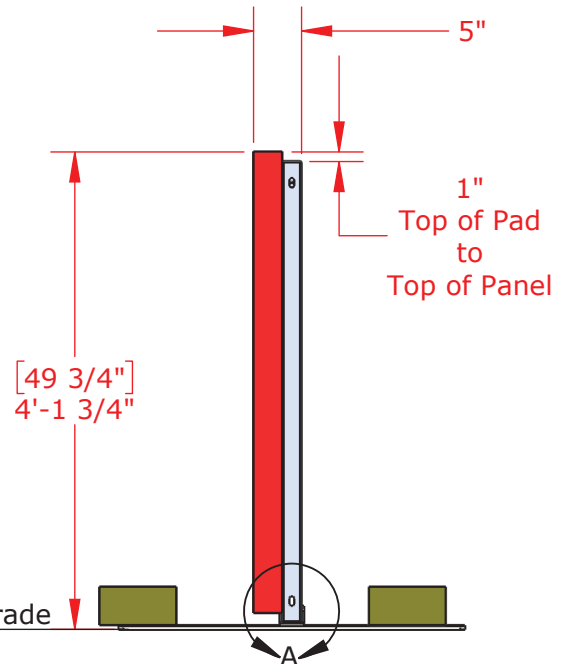
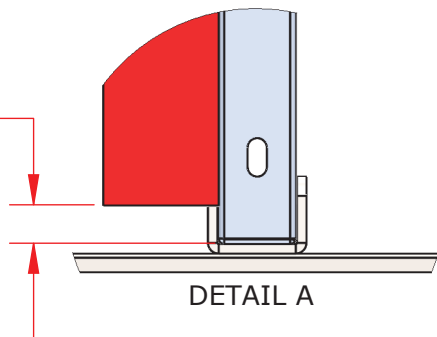


Padding Attachment
Points Built into
Aluminum Panel,
(5) per Pad



1/4" X 1.25" Galvanized
Hex Head Lag Bolts

1"
Bottom of Pad
to
Bottom of Panel



TITLE:

Optional Padding Attachment

DWG NO:

ID-00278

SHEET 1 OF 1