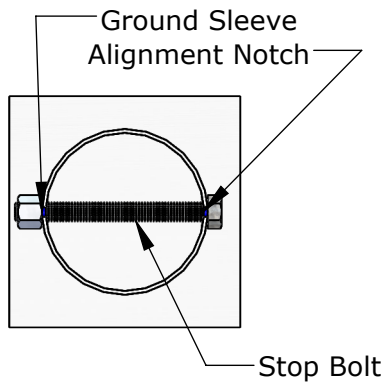


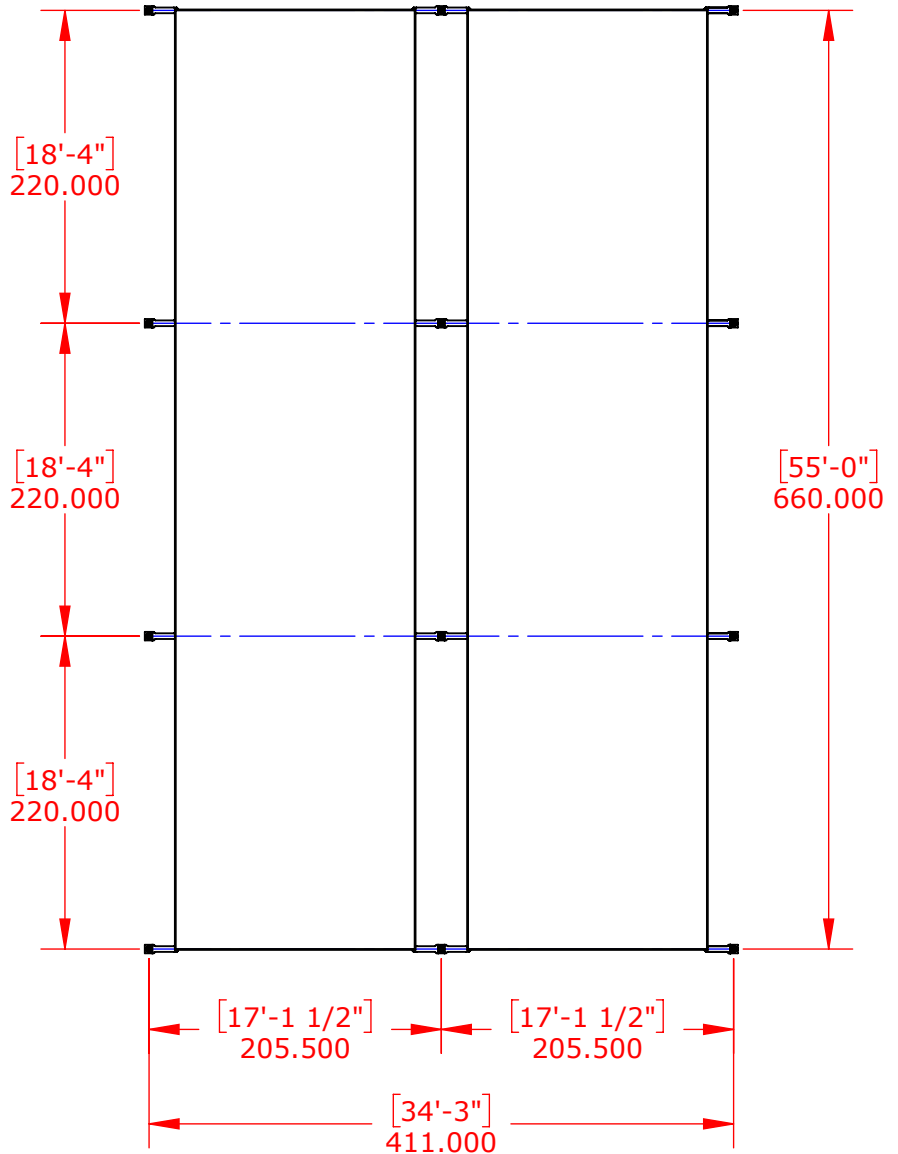
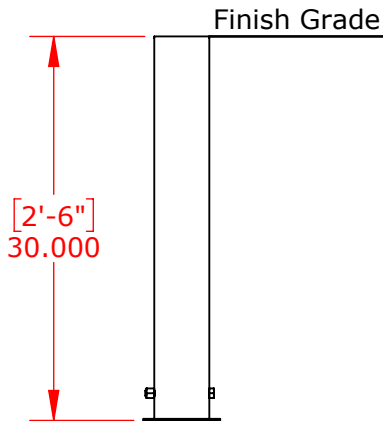
Note: All measurements are center-to-center of ground sleeve

For foundation requirements please refer to contract documents and/or local codes/conditions



Stop bolt/alignment notches must be installed in correct position to allow for proper orientation of upright pole

Legend:



PROPRIETARY AND CONFIDENTIAL

THE INFORMATION CONTAINED IN THIS DRAWING IS THE SOLE PROPERTY OF SPORTSFIELD SPECIALTIES INC. ANY REPRODUCTION IN PART OR AS A WHOLE WITHOUT THE WRITTEN PERMISSION OF SPORTSFIELD SPECIALTIES INC. IS PROHIBITED.

BTOSD Ground Sleeve Overhead Batting Tunnel Double Softball Ground Sleeve Layout

Not To Scale

Sportsfield Specialties Inc 105564.1-221209