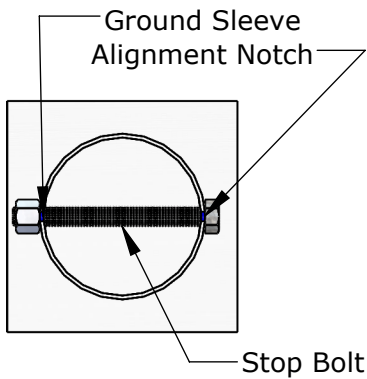


Note: All measurements are center-to-center of ground sleeve

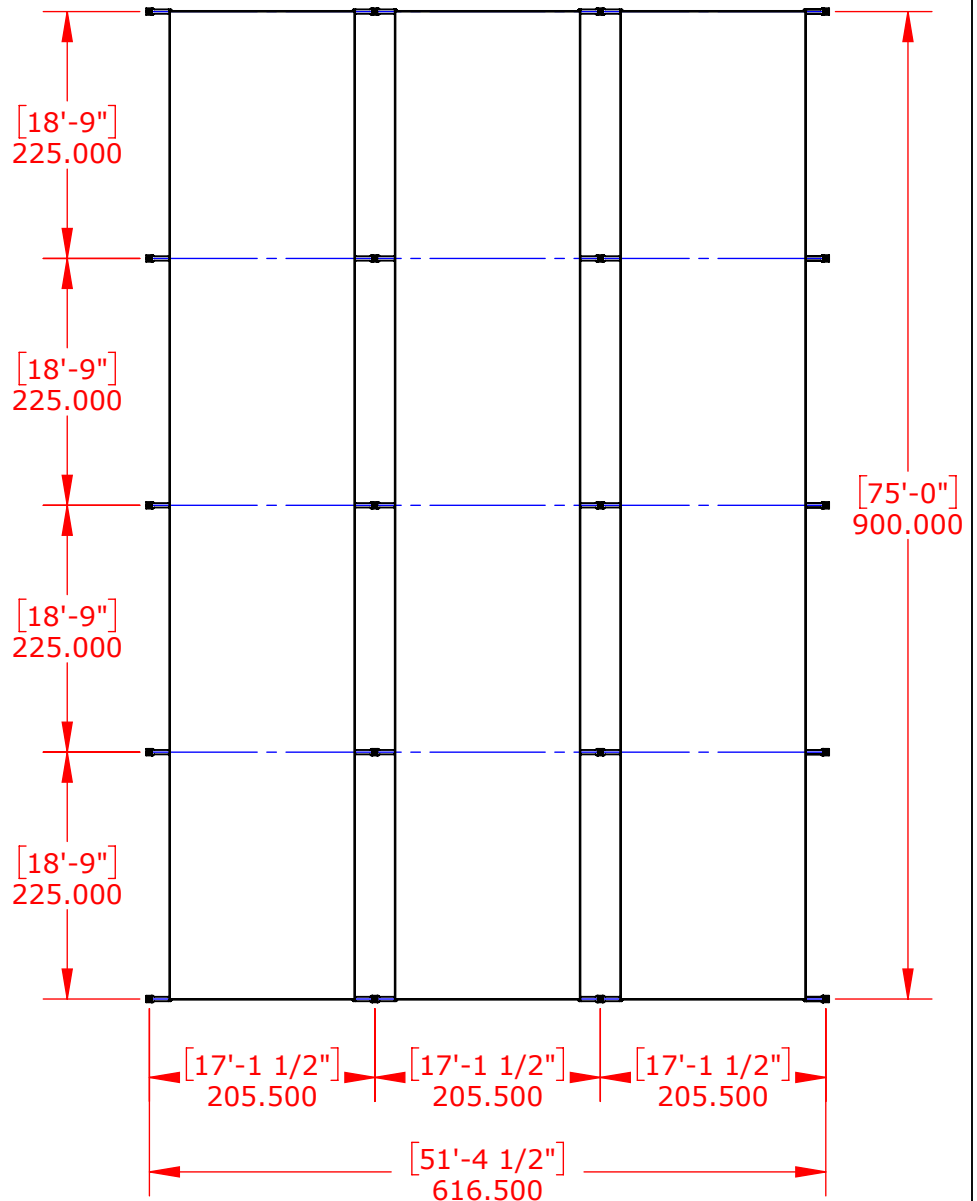
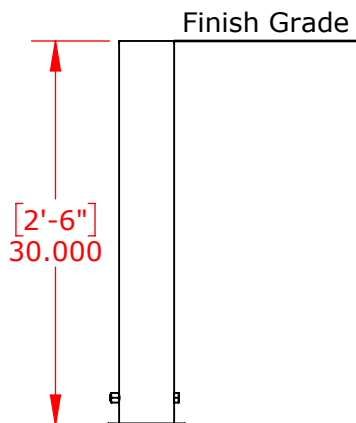
For foundation requirements please refer to contract documents and/or local codes/conditions



Stop bolt/alignment notches must be installed in correct position to allow for proper orientation of upright pole

Legend:

Alignment Notch Direction



PROPRIETARY AND CONFIDENTIAL

THE INFORMATION CONTAINED IN THIS DRAWING IS THE SOLE PROPERTY OF SPORTSFIELD SPECIALTIES INC. ANY REPRODUCTION IN PART OR AS A WHOLE WITHOUT THE WRITTEN PERMISSION OF SPORTSFIELD SPECIALTIES INC. IS PROHIBITED.

BTOBT Ground Sleeve Overhead Batting Tunnel Triple Baseball Ground Sleeve Layout

Not To Scale

Sportsfield Specialties Inc 105563.1-221209