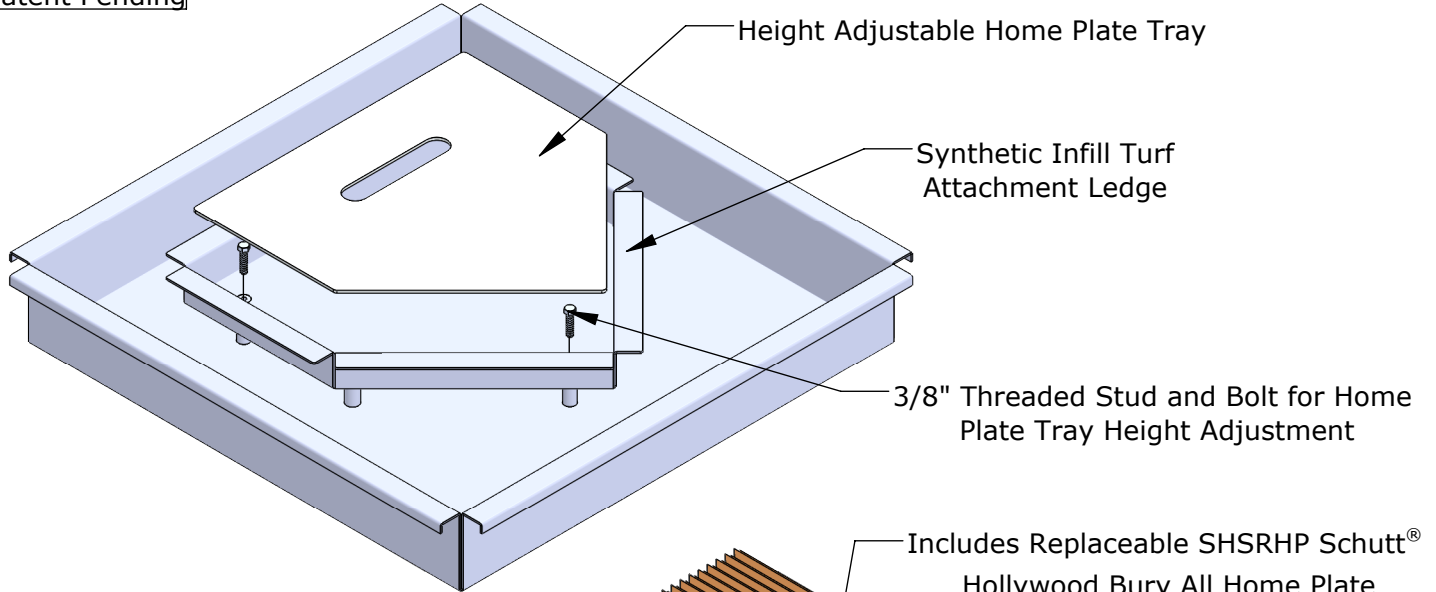
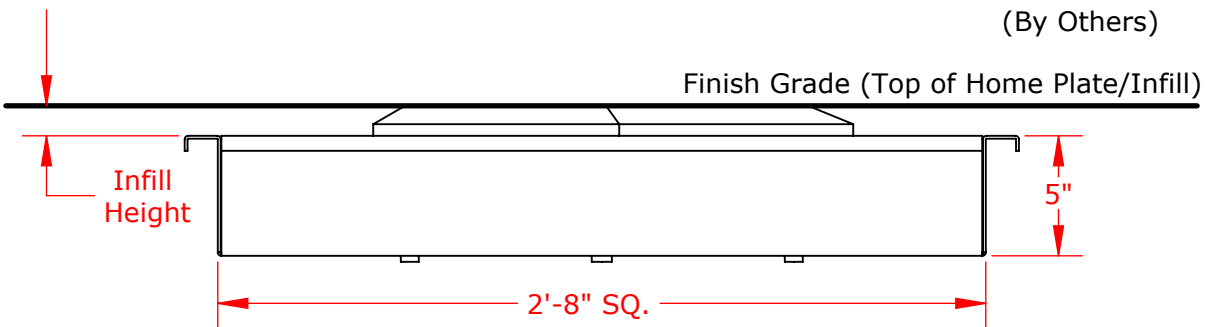
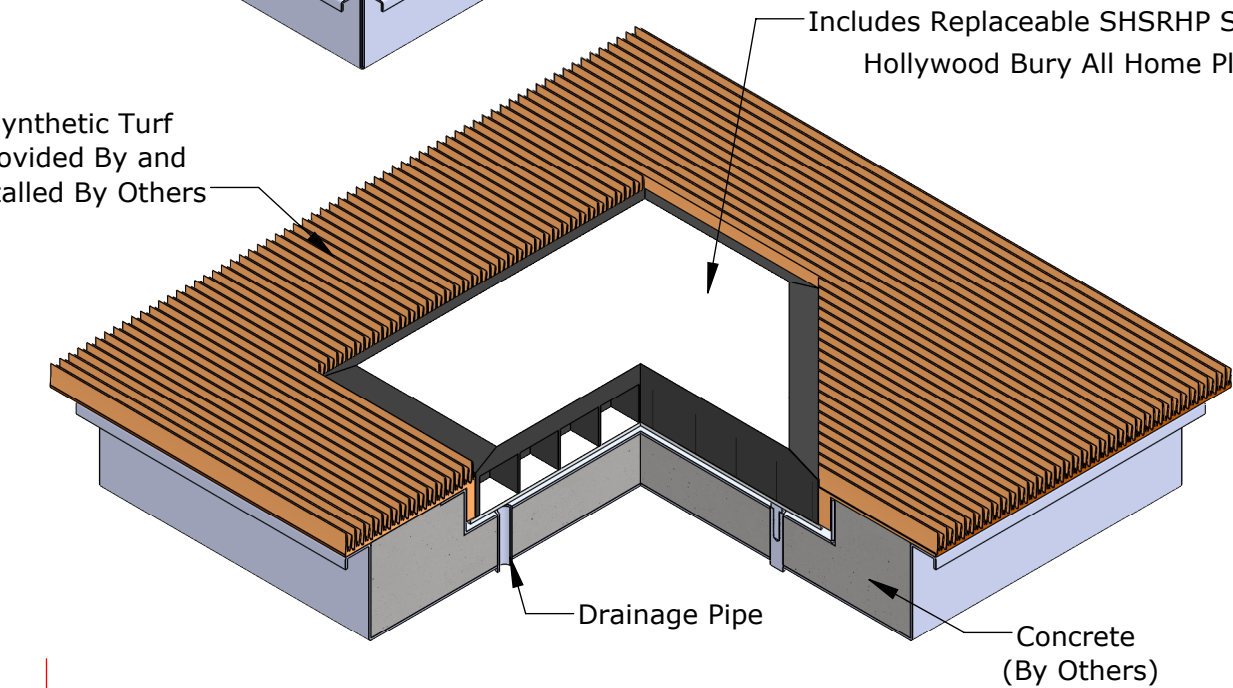


Patent Pending



Synthetic Turf Provided By and Installed By Others



PROPRIETARY AND CONFIDENTIAL

THE INFORMATION CONTAINED IN THIS DRAWING IS THE SOLE PROPERTY OF SPORTSFIELD SPECIALTIES INC. ANY REPRODUCTION IN PART OR AS A WHOLE WITHOUT THE WRITTEN PERMISSION OF SPORTSFIELD SPECIALTIES INC. IS PROHIBITED.

# HPFS Home Plate Forming System

Not To Scale

Sportsfield Specialties Inc 08062020