

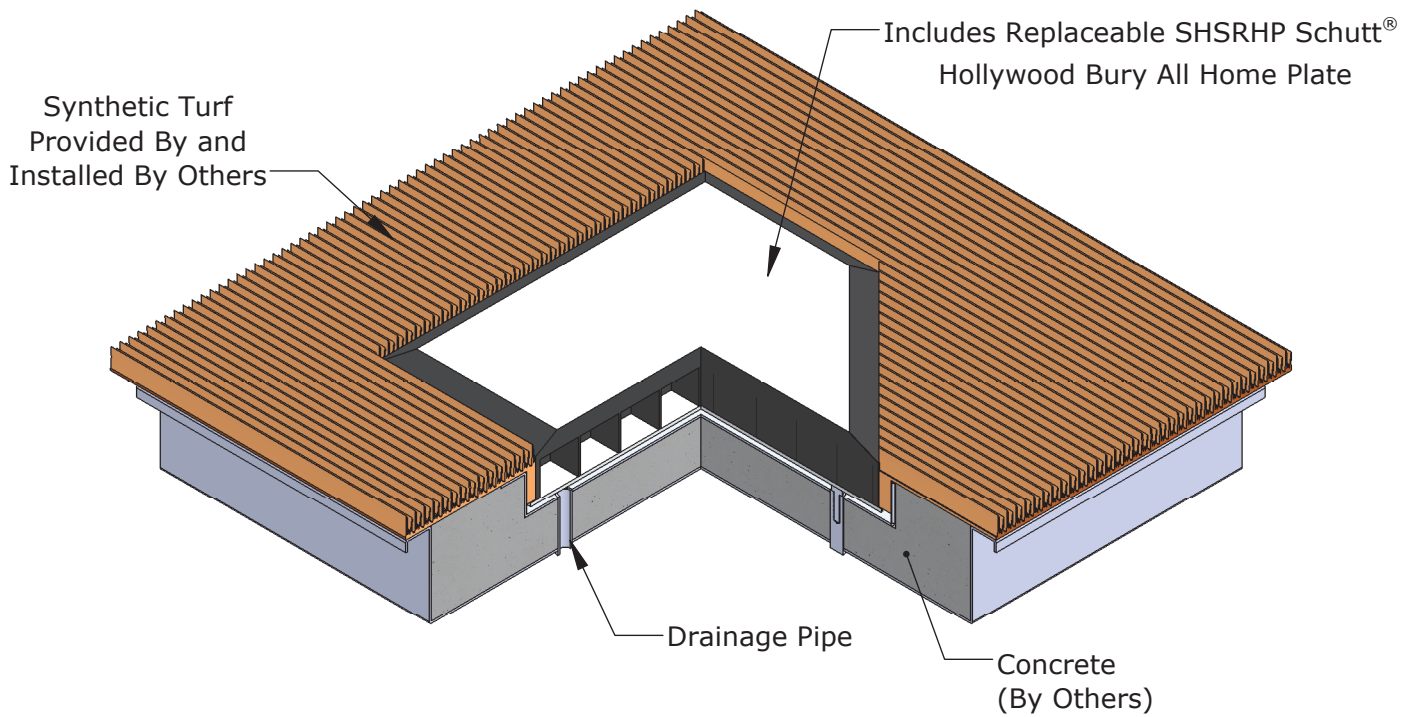
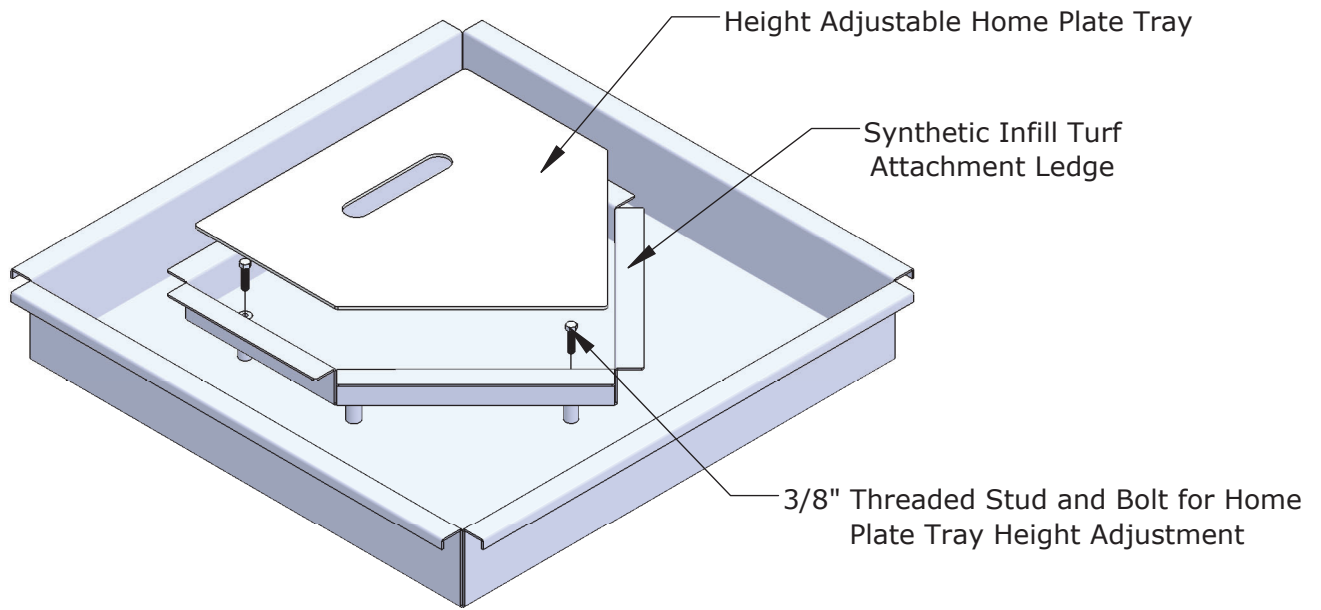


1-888-975-3343

**Install Instructions
Home Plate Forming System**

Product No.	Product Description
HPFS	Home Plate Forming System

System Overview..... ID-00163
System Installation..... ID-00164



TITLE:

System Overview

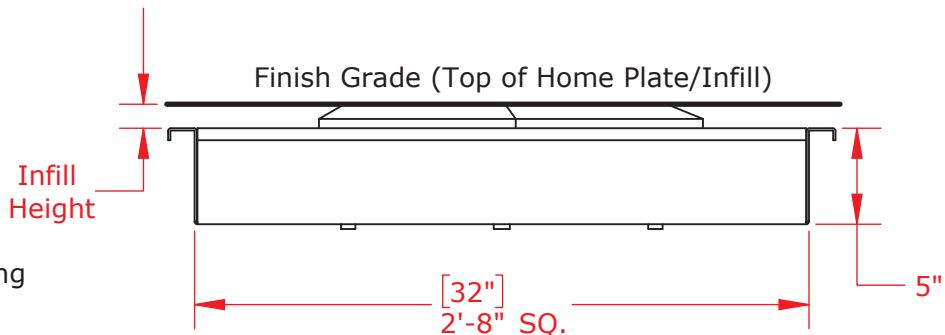
DWG NO:

ID-00163

SHEET 1 OF 1

Step 1

Check project specific drawings to determine field location. Set the location of the form according to the required field orientation. Align the top surface of the synthetic turf attachment ledge with the desired grade level of the infill turf (typically top of stone). Stake the form in place by driving 1/2" rebar through the provided holes in each corner.

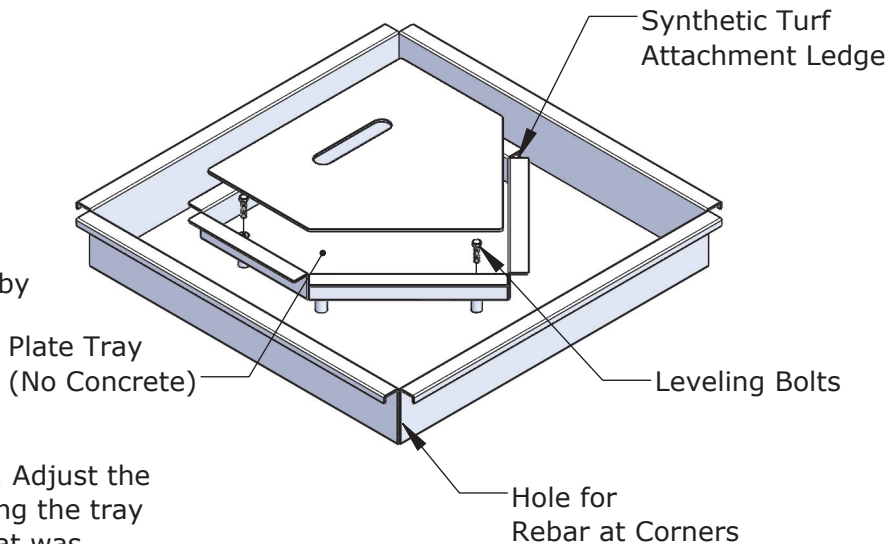


Step 2

Pour concrete into the form, filling up to the top surface of the synthetic turf attachment ledge. Ensure that concrete does not get into the plate tray area.

Step 3

The synthetic infill turf can be cut and secured to the provided infill turf attachment ledge. Tuck the turf edge into the home plate recess. Synthetic turf and attachment method provided by others.

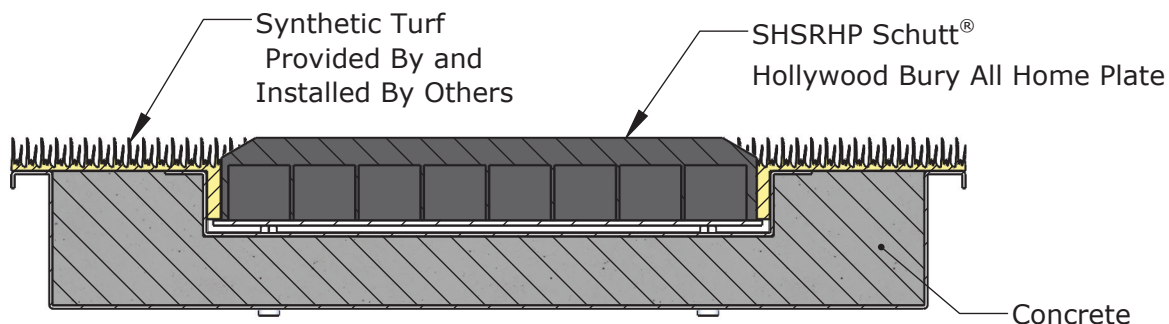


Step 4

Place home plate into the plate recess. Adjust the plate tray height as needed by removing the tray and adjusting bolt heights. The turf that was folded into the plate recess in Step 3 may need to be cut/shaved to allow the plate to fit snugly.

Step 5

Add infill material around home plate as necessary to achieve finish grade.



TITLE: System Installation	DWG NO: ID-00164	SHEET 1 OF 1