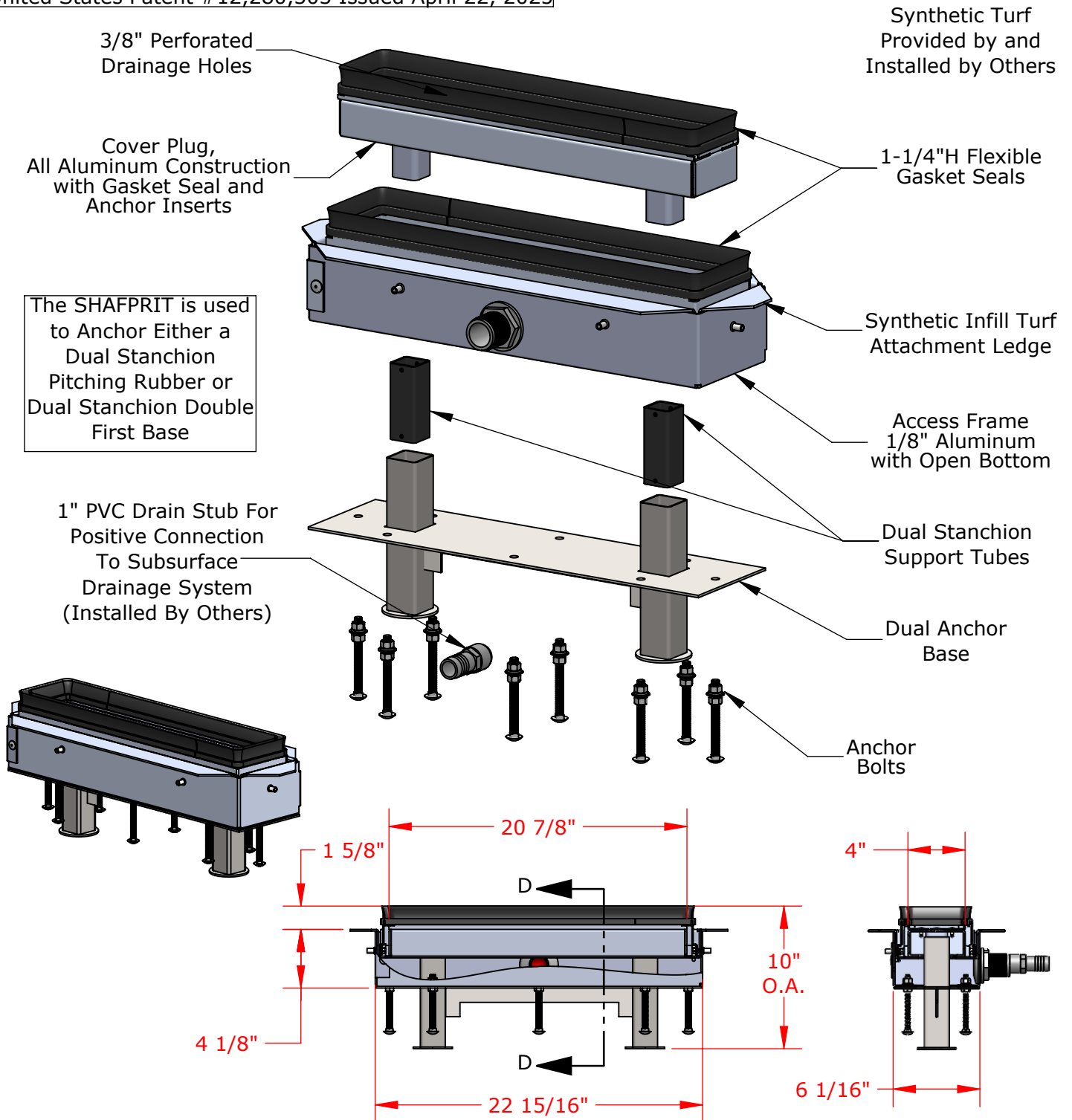


United States Patent #12,280,303 Issued April 22, 2025



**PROPRIETARY AND CONFIDENTIAL**

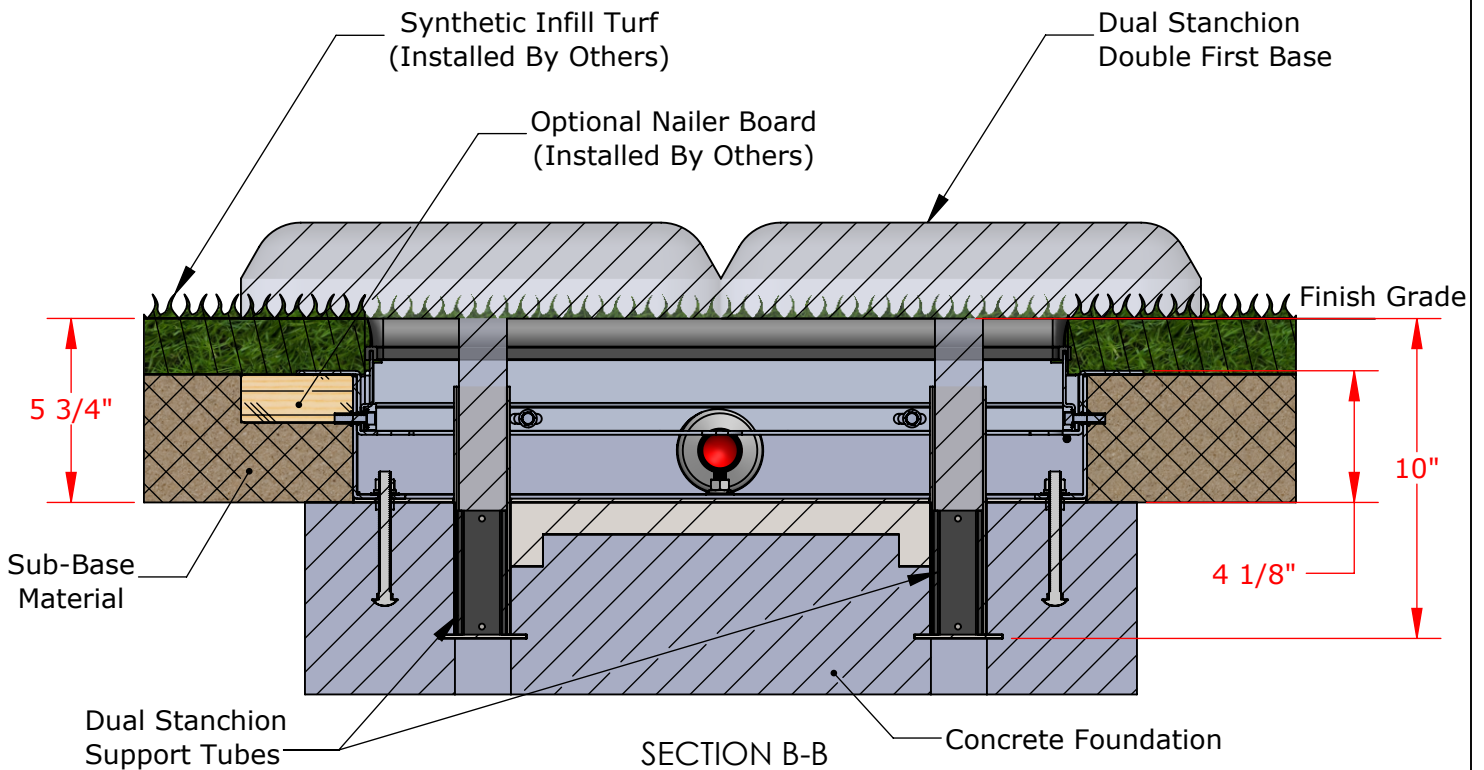
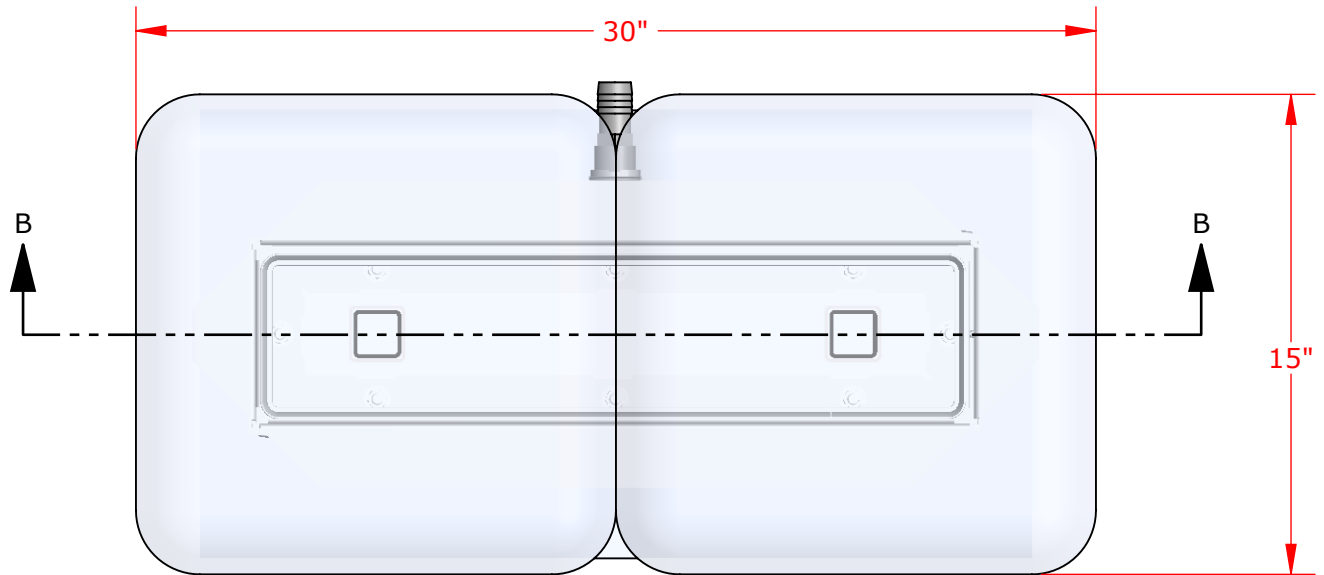
THE INFORMATION CONTAINED IN THIS DRAWING IS THE SOLE PROPERTY OF SPORTSFIELD SPECIALTIES INC. ANY REPRODUCTION IN PART OR AS A WHOLE WITHOUT THE WRITTEN PERMISSION OF SPORTSFIELD SPECIALTIES INC. IS PROHIBITED.

**SHAFPRIT Hollywood Dual Anchor Access Frame with Infill Retainer System for Synthetic Turf Applications**

Not To Scale

Sportsfield Specialties Inc 06112025

United States Patent #12,280,303 Issued April 22, 2025



**PROPRIETARY AND CONFIDENTIAL**

THE INFORMATION CONTAINED IN THIS DRAWING IS THE SOLE PROPERTY OF SPORTSFIELD SPECIALTIES INC. ANY REPRODUCTION IN PART OR AS A WHOLE WITHOUT THE WRITTEN PERMISSION OF SPORTSFIELD SPECIALTIES INC. IS PROHIBITED.

**SHAFPRIT Hollywood Dual Anchor Access Frame with Infill Retainer System for Synthetic Turf Applications**

Not To Scale

Sportsfield Specialties Inc 06112025