



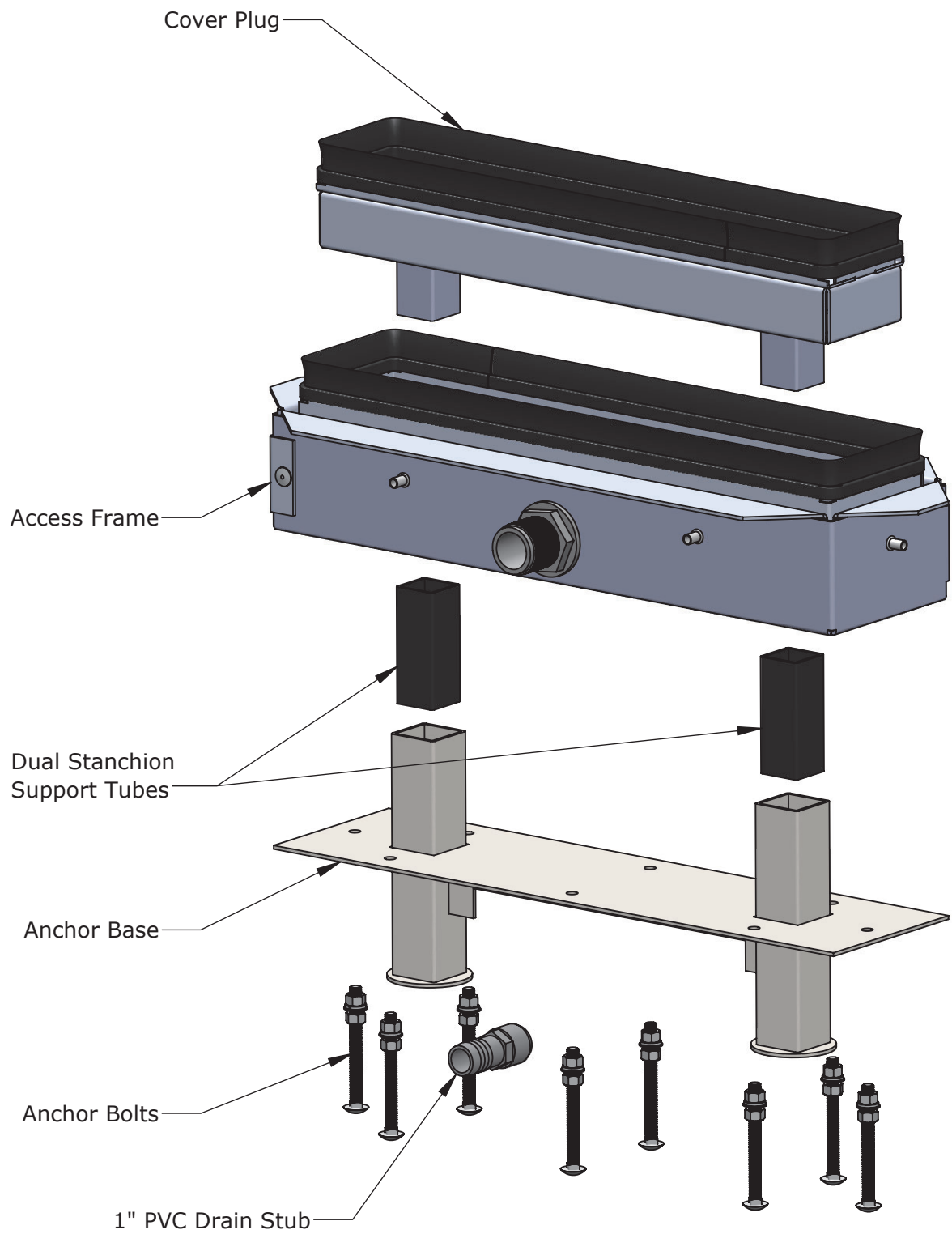
**1-888-975-3343**

## Install Instructions

### Schutt Hollywood Dual Base Anchor Access Frame

Product No.	Product Description
SHAFPRIT	Access Frame Kit, Schutt/Hollywood Dual Anchor Pitching Rubber, Infill Turf

SHAFPRIT System Overview.....	ID-00120
Field Placement.....	ID-00121
Anchor Base Hardware.....	ID-00122
Anchor Base Elevation.....	ID-00123
Access Frame Installation.....	ID-00124



TITLE:  
**SHAFPRIT System Overview**

DWG NO:  
**ID-00120**

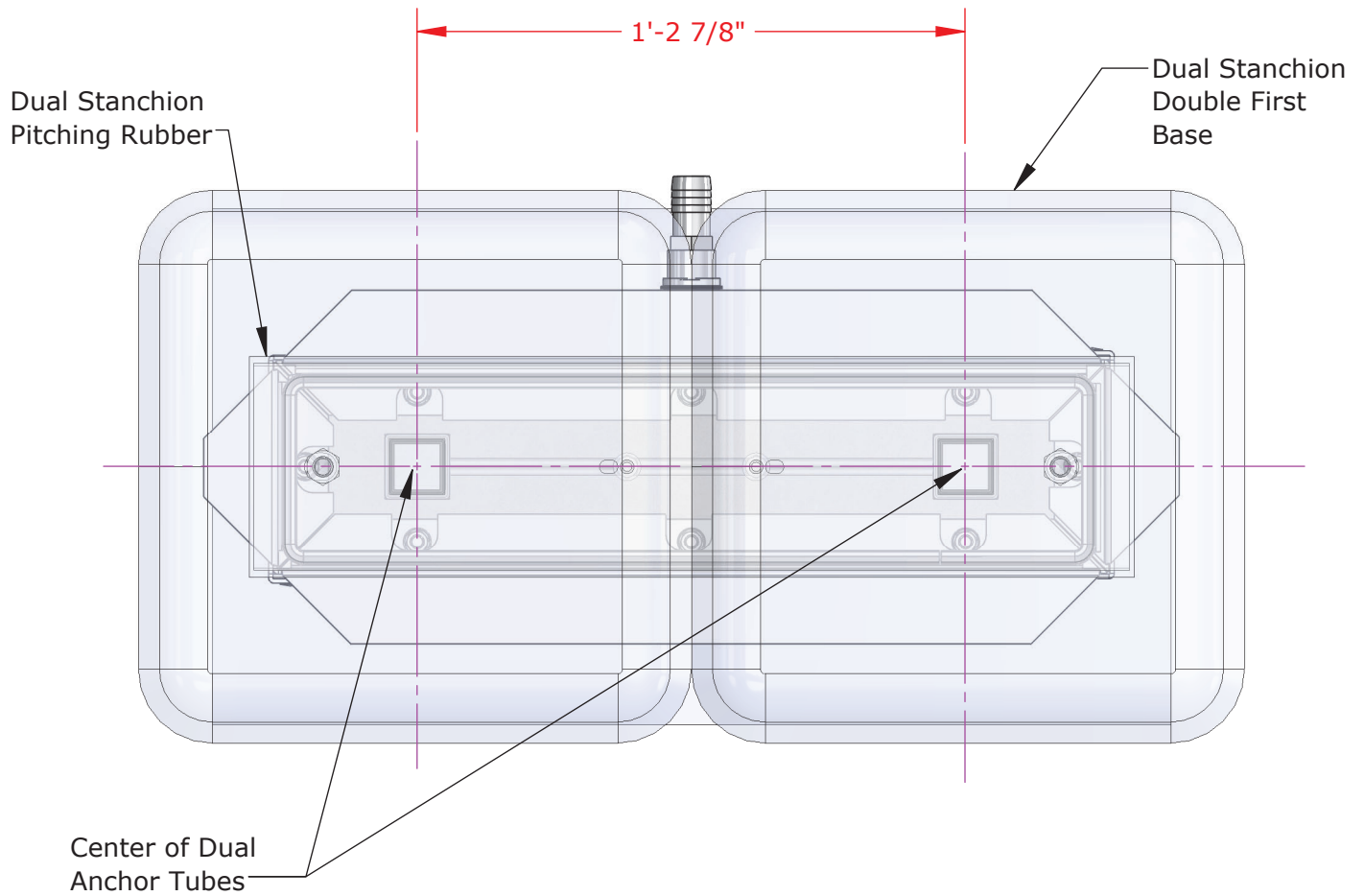
SHEET 1 OF 1

The SHAFPRIT is used to anchor either a dual stanchion pitching rubber or dual stanchion double first base.

Check project specific drawings to determine field locations.

### Step 1

Locate centers of the double first base or pitching rubber dual stanchions in the field.



Stanchions will be centered into the dual anchor tubes.

TITLE:

Field Placement

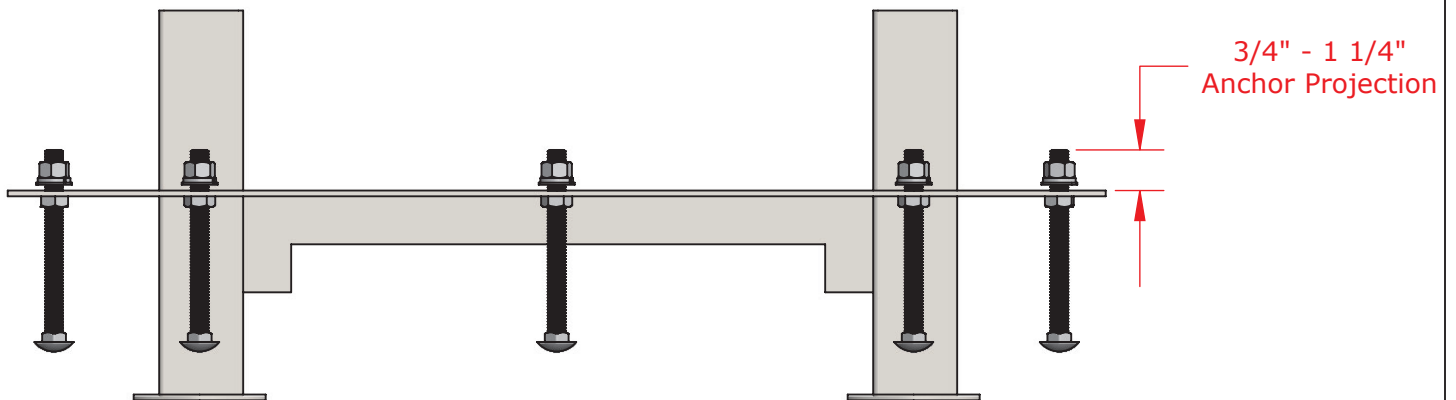
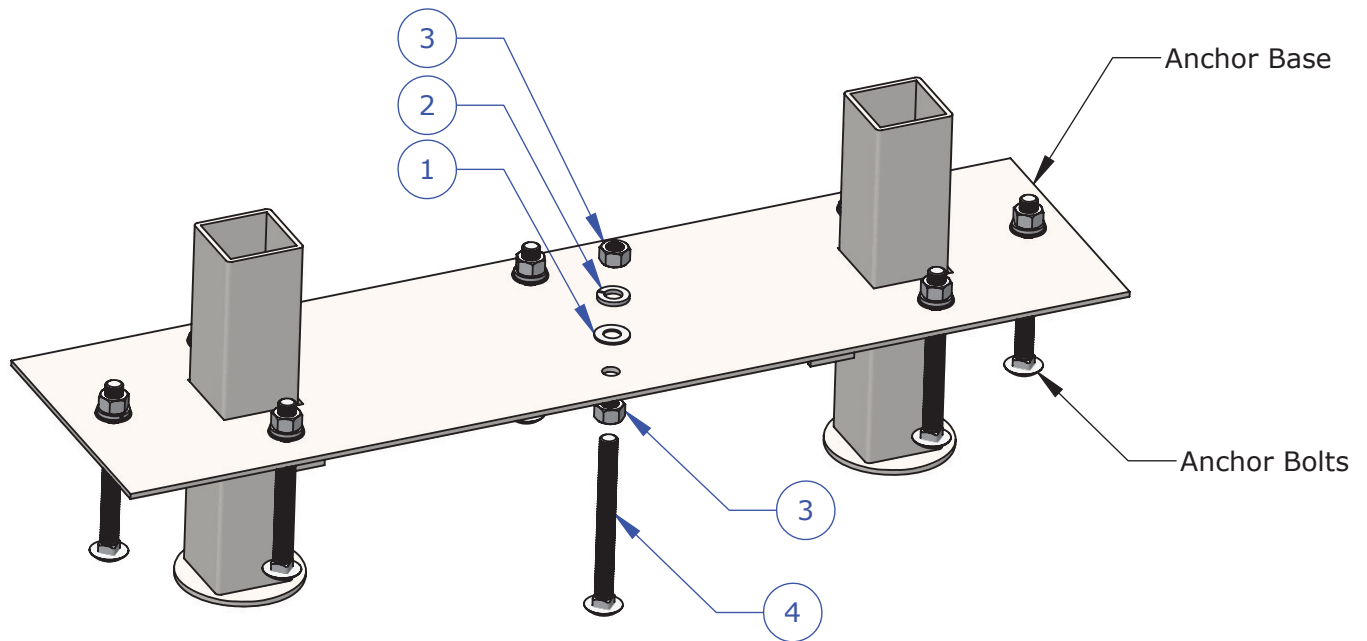
DWG NO:

ID-00121

SHEET 1 OF 1

## Step 1

Prepare anchor base hardware for concrete foundation placement.



ITEM NO.	QTY.	SAP Part Number	DESCRIPTION
1	8	110-FLW-0005	3/8 S.S. FLAT WASHER
2	8	110-SLW-0006	3/8-16 S. S. Lock Washer
3	16	107-HXN-0020	3/8-16 STAINLESS STEEL HEX NUT
4	8	101-CAB-0004	3/8-16 x 4.00" L, Carriage Bolt, SS

TITLE:

Anchor Base Hardware

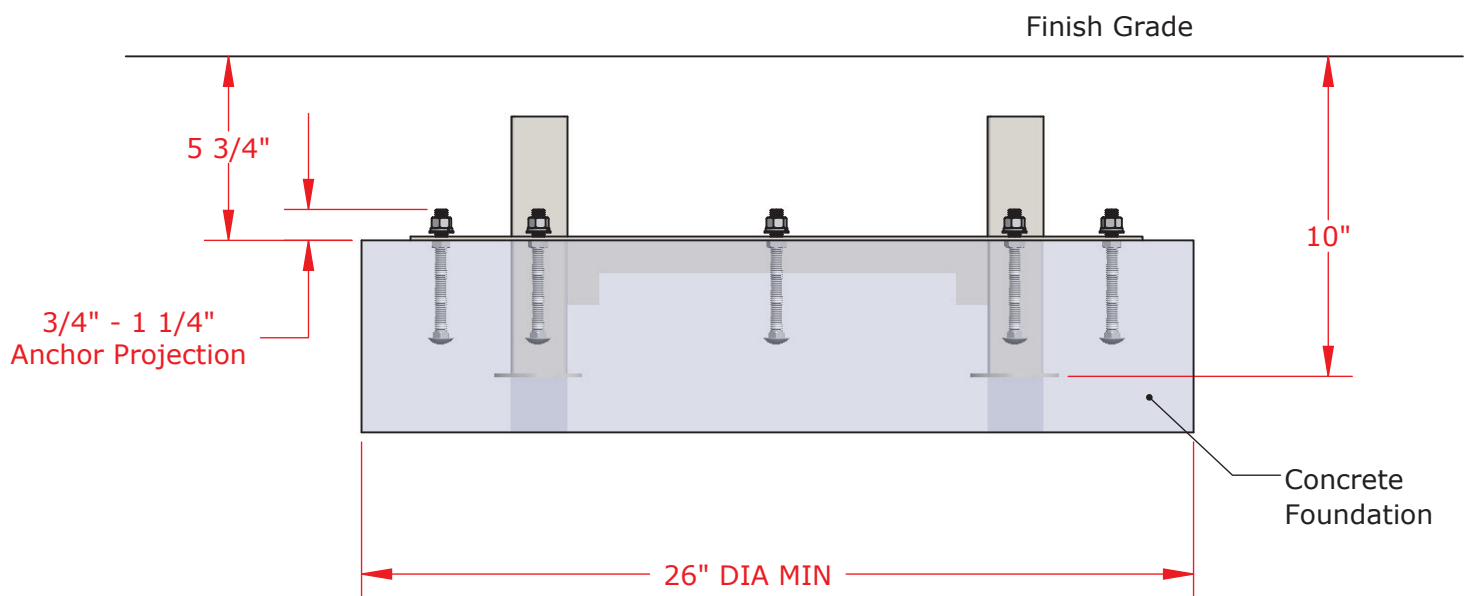
DWG NO:

ID-00122

SHEET 1 OF 1

### Step 1

At each single location dig hole a minimum of 26" DIA and 10" Deep.



### Step 2

Pour concrete foundation up to an elevation of 5 3/4" below finish grade and set anchor base assembly as shown into the wet concrete so that the base plate is at the 5 3/4" level.

TITLE:

Anchor Base Elevation

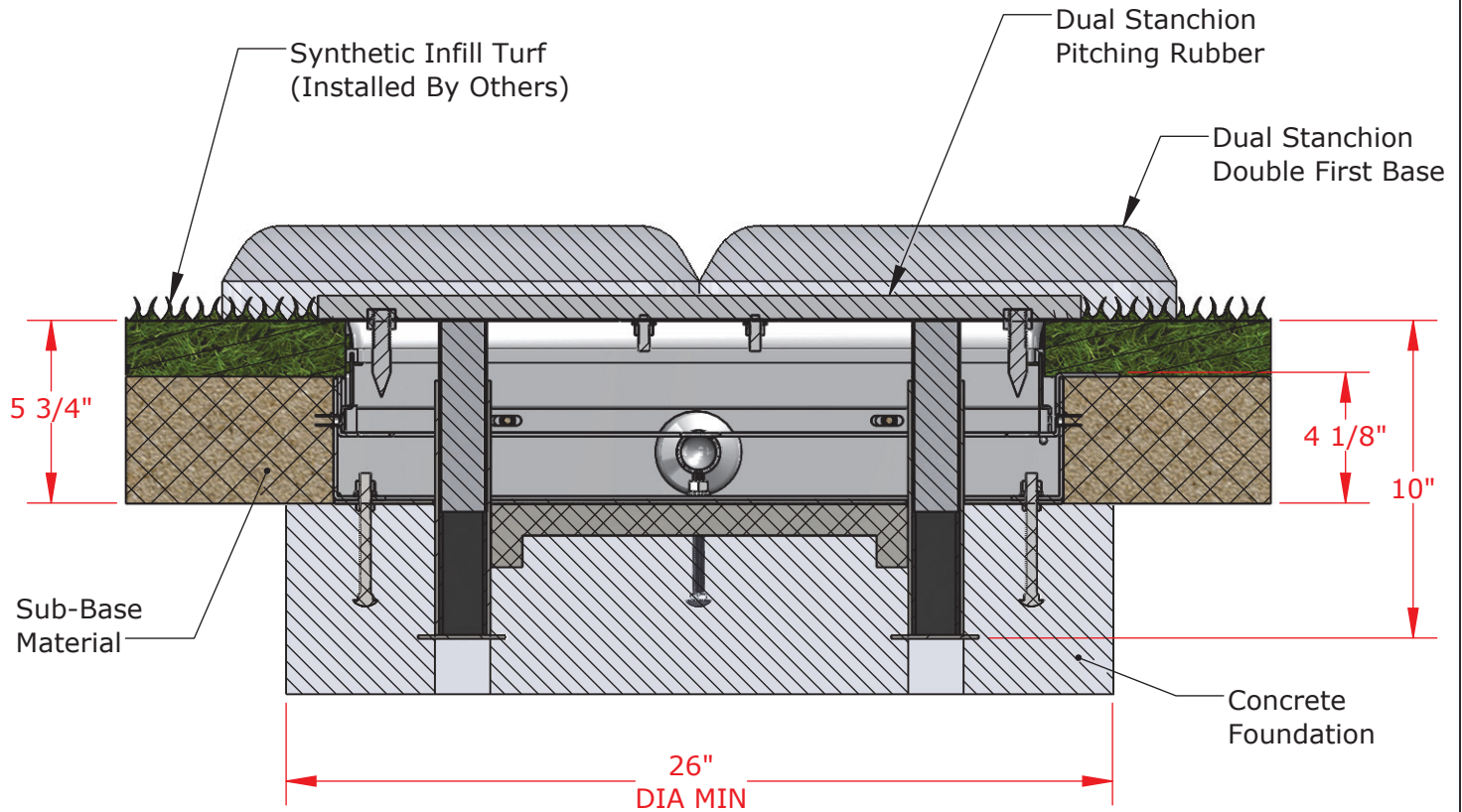
DWG NO:

ID-00123

SHEET 1 OF 1

### Step 1

Once concrete has cured, remove nuts from anchor bolts. After installing the access frame onto the anchor bolts, replace the nuts that were removed.



### Step 2

The synthetic infill turf can be cut and secured to the provided infill turf attachment ledge and cover plug. Synthetic turf and attachment method provided by others.

### Step 3

The dual stanchion support tubes should be inserted into the dual anchor tubes to support pitching rubber or double first base. Test fit pitching rubber or double first base and adjust infill height as needed.

### Step 4

Insert cover plug when pitching rubber or double first base is not in use.

TITLE:

Access Frame Installation

DWG NO:

ID-00124

SHEET 1 OF 1