

| Part #   | Size       |
|----------|------------|
| ST58EMK  | 5'W x 8'L  |
| ST510EMK | 5'W x 10'L |
| ST512EMK | 5'W x 12'L |

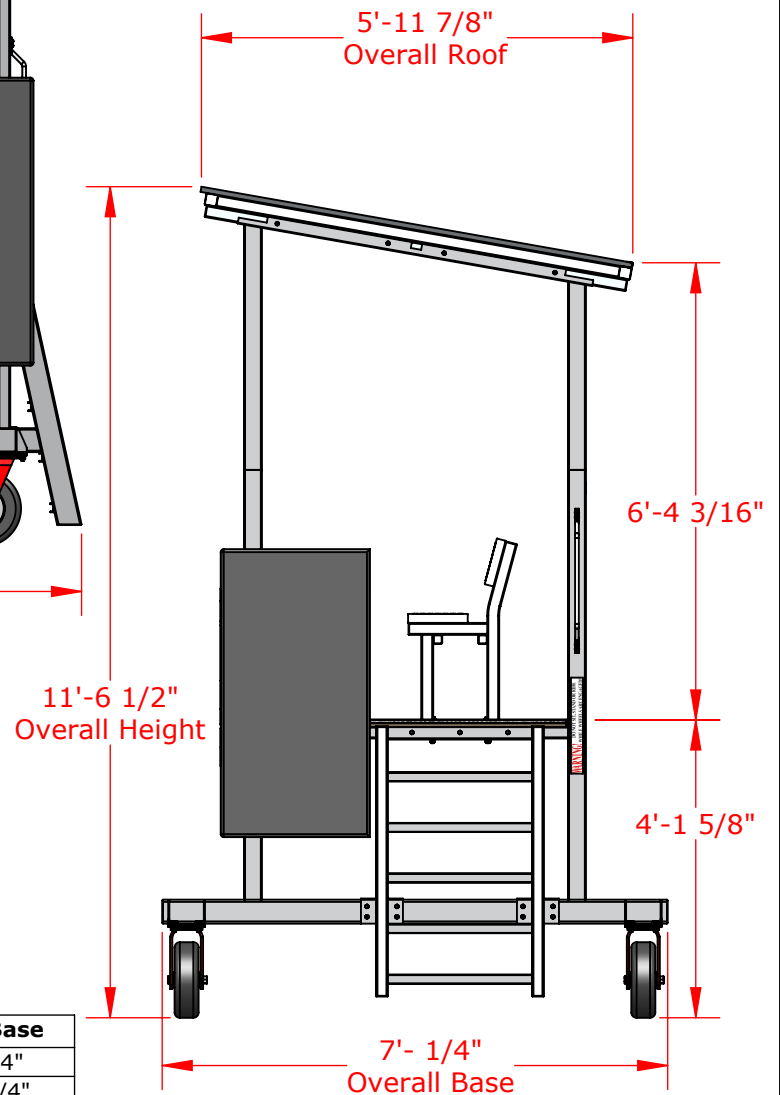
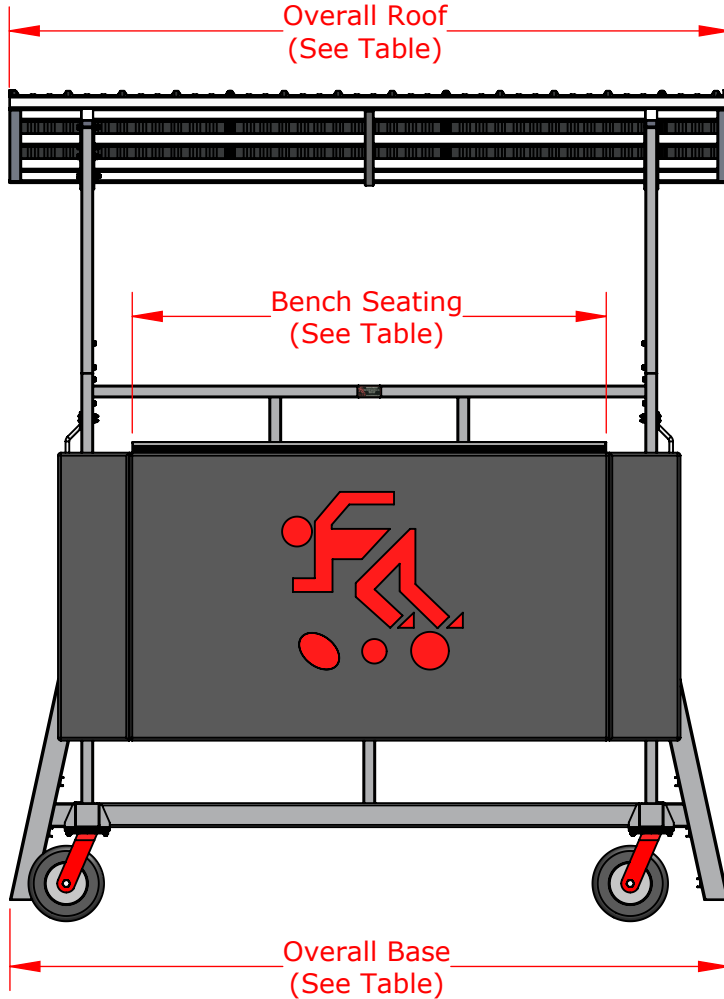
**PROPRIETARY AND CONFIDENTIAL**

THE INFORMATION CONTAINED IN THIS DRAWING IS THE SOLE PROPERTY OF SPORTSFIELD SPECIALTIES INC. ANY REPRODUCTION IN PART OR AS A WHOLE WITHOUT THE WRITTEN PERMISSION OF SPORTSFIELD SPECIALTIES INC. IS PROHIBITED.

# Scorer's Table with Elevated Mobility Kit

Not To Scale

Sportsfield Specialties Inc 02162024



| Part #   | Overall Roof | Bench Seating | Overall Base |
|----------|--------------|---------------|--------------|
| ST58EMK  | 10'-0"       | 6'-7"         | 9'-11 3/4"   |
| ST510EMK | 12'-0"       | 8'-8"         | 11'-11 3/4"  |
| ST512EMK | 14'-0"       | 10'-8"        | 13'-11 3/4"  |

**PROPRIETARY AND CONFIDENTIAL**

THE INFORMATION CONTAINED IN THIS DRAWING IS THE SOLE PROPERTY OF SPORTSFIELD SPECIALTIES INC. ANY REPRODUCTION IN PART OR AS A WHOLE WITHOUT THE WRITTEN PERMISSION OF SPORTSFIELD SPECIALTIES INC. IS PROHIBITED.

# Scorer's Table with Elevated Mobility Kit

Not To Scale

Sportsfield Specialties Inc 02162024