

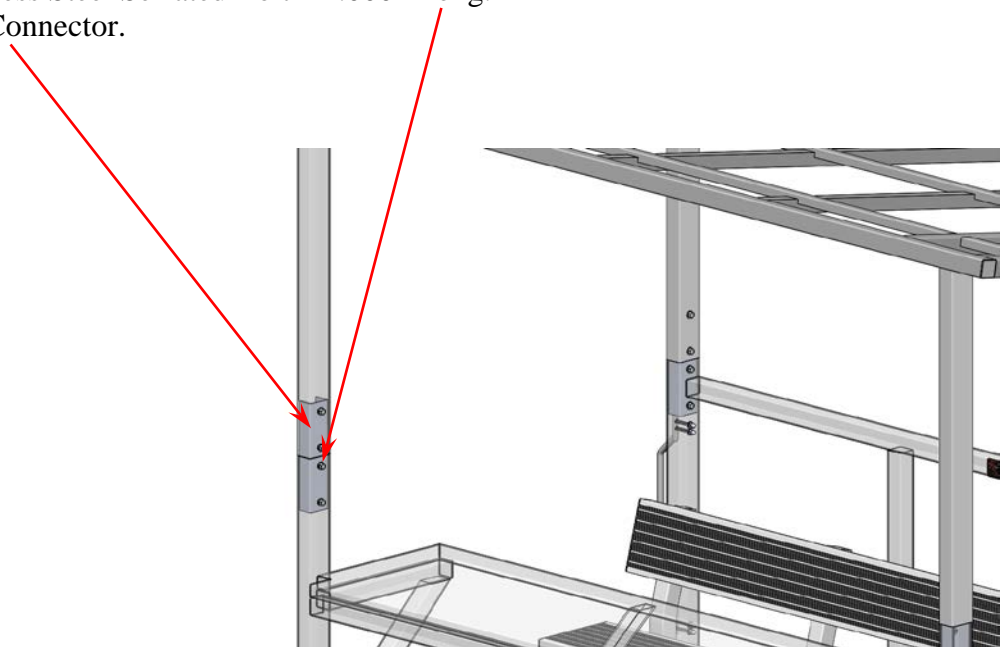
Hardware bagging instructions for CCST0510-EMK, 10' Elevated Scorer's Table

The following hardware is for (1) table:

- "Bag "1": (16) 3/8-16 Stainless Steel Serrated Bolt x 1.000" Long.
- "Bag "2": (4) CCST-Roof-Connector
- "Bag "3": (6) 3/8-16 Stainless Steel Hex Bolt x 3.000" Long
- "Bag "4": (22) 3/8-16 Stainless Steel Hex Nut.
- "Bag "5": (22) 3/8-16 Stainless Steel Flat Washer.
- "Bag "6": (22) 3/8-16 Stainless Steel Lock Washer.
- "Bag "7": (16) 3/8-16 Stainless Steel Hex Bolt x 5.000" Long.
- "Bag "8": (1) Black Zip Ties (package of 100). Ties Vinyl awning to roof structure.

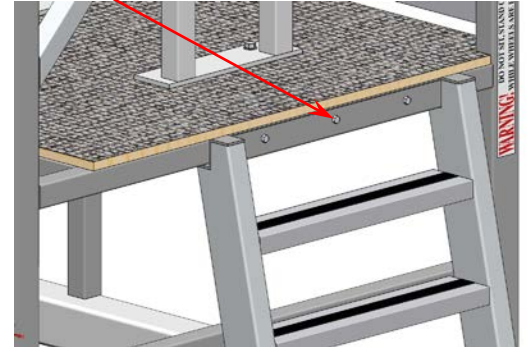
Assembly of Roof

- (16) 3/8-16 Stainless Steel Serrated Bolt x 1.000" Long.
- (4) CCST-Roof-Connector.

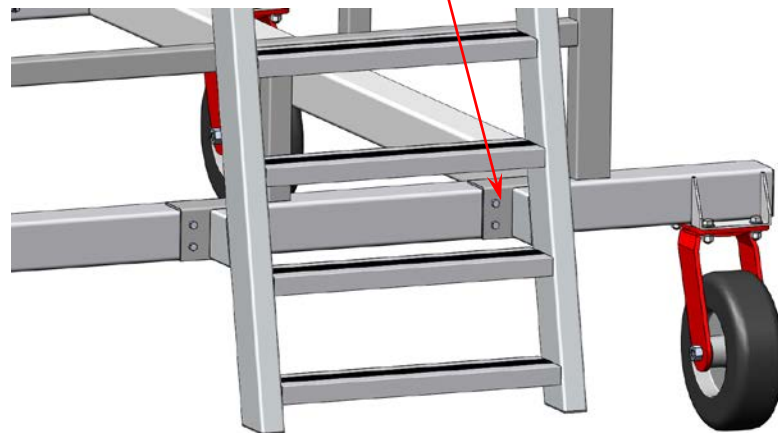


Assembly of Steps

- (6) 3/8-16 Stainless Steel Hex Bolt x 3.000" Long.
- (6) 3/8-16 Stainless Steel Hex Nut.
- (6) 3/8-16 Stainless Steel Flat Washer.
- (6) 3/8-16 Stainless Steel Lock Washer.



- (16) 3/8-16 Stainless Steel Hex Bolt x 5.000" Long.
- (16) 3/8-16 Stainless Steel Hex Nut.
- (16) 3/8-16 Stainless Steel Flat Washer.
- (16) 3/8-16 Stainless Steel Lock Washer.



Stock order#

Sales order#

Frame Color:

Awning and Pad Color: