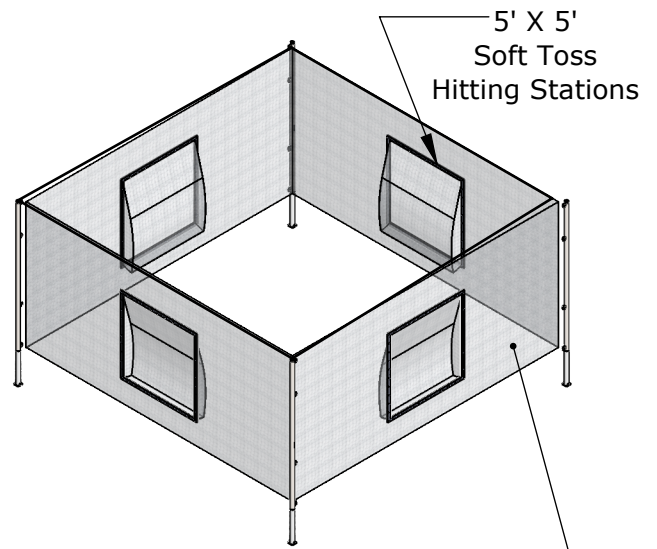
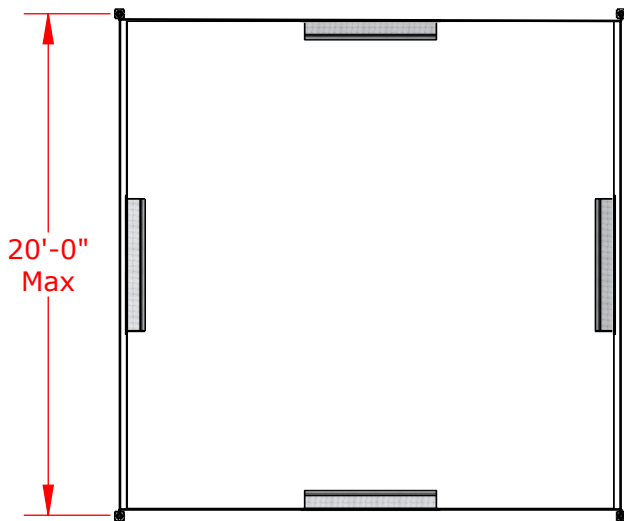
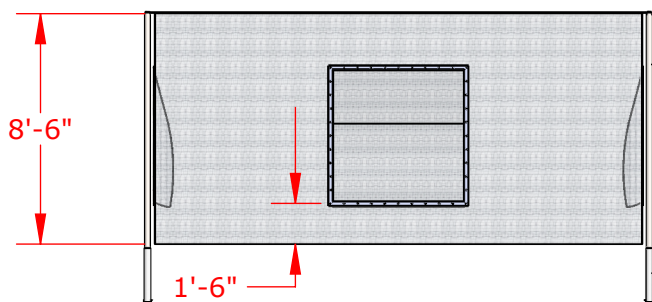


Sportsfield Specialties, Inc. strongly recommends the removal of all nets prior to exposure to winter weather, including snow and/or ice storms. Whenever possible, the nets should also be lowered prior to any extreme wind events. Removal/Lowering of the nets will mitigate any unforeseen damage to the poles, nets and/or attachment hardware. Storing nets in a dry, pest free location will help extend the life of the nets. Sportsfield Specialties, Inc. will not be held liable or assume responsibility for any damage to the nets, poles and/or corresponding attachment hardware if the nets are not removed/lowered prior to the above described wind and/or weather events.



#36 1-3/4" Square Mesh
Netting with Sewn Rope
Binding on Perimeter Edges



HSS 2.375" OD x 0.218" Wall Pole,
Standard Black Powder Coated Finish

24" Ground Sleeve
(2.425" ID, 2.625" OD
Aluminum Tube)

**Foundation Requirements
Based on Local Codes and
Soil Conditions**

PROPRIETARY AND CONFIDENTIAL

THE INFORMATION CONTAINED IN THIS DRAWING IS THE SOLE PROPERTY OF SPORTSFIELD SPECIALTIES INC. ANY REPRODUCTION IN PART OR AS A WHOLE WITHOUT THE WRITTEN PERMISSION OF SPORTSFIELD SPECIALTIES INC. IS PROHIBITED.

**STNS4 Standalone Quad
Soft Toss Netting System**

Not To Scale

Sportsfield Specialties Inc 03242021