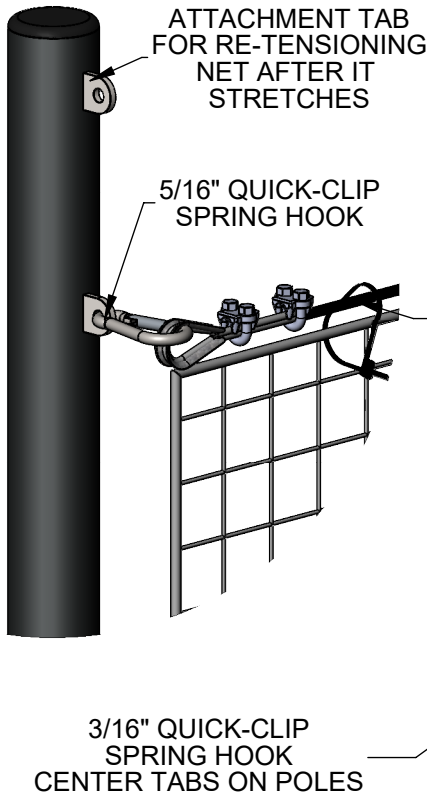


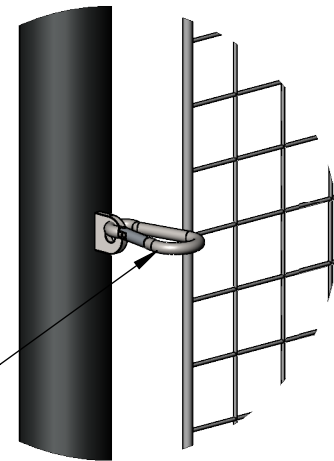
TOP OF POLE



Sportsfield Specialties, Inc. strongly recommends the removal of all nets prior to exposure to winter weather, including snow and/or ice storms. Whenever possible, the nets should also be lowered prior to any extreme wind events. Removal/Lowering of the nets will mitigate any unforeseen damage to the poles, nets and/or attachment hardware. Storing nets in a dry, pest free location will help extend the life of the nets. Sportsfield Specialties, Inc. will not be held liable or assume responsibility for any damage to the nets, poles and/or corresponding attachment hardware if the nets are not removed/lowered prior to the above described wind and/or weather events.

Standard Black Powder Coated Finish

1/8" GALVANIZED WIRE ROPE BLACK VINYL COATED TO 3/16" ASSEMBLY



MIDDLE OF POLE

1-3/4" SQUARE MESH NET WITH SEWN ROPE BINDING ON PERIMETER EDGES

2.375" O.D. (2" SCH 80) ALUMINUM POLE

LOWER ATTACHMENT TAB

24" GROUND SLEEVE

3/16" GALVANIZED WIRE ROPE BLACK VINYL COATED TO 1/4" ASSEMBLY

BOTTOM OF POLE

| STANDARD PART NUMBER | DESCRIPTION | EXPECTED NET SAG |
|-----------------------|------------------------------------|------------------|
| BSS28 (TFBSS208P) | 8'H SYSTEM | ±9"-12" |
| BSS210 (TFBSS210P) | 10'H SYSTEM | ±9"-12" |
| BSS-CUSTOM (TFBSS2_P) | CUSTOM HEIGHTS AVAILABLE UP TO 10' | |

Foundation requirements based on local codes and soil conditions

PROPRIETARY AND CONFIDENTIAL

THE INFORMATION CONTAINED IN THIS DRAWING IS THE SOLE PROPERTY OF SPORTSFIELD SPECIALTIES INC. ANY REPRODUCTION IN PART OR AS A WHOLE WITHOUT THE WRITTEN PERMISSION OF SPORTSFIELD SPECIALTIES INC. IS PROHIBITED.

2" Straight Pole Ball Safety Netting System

Not To Scale

Sportsfield Specialties Inc 105604.1-221212