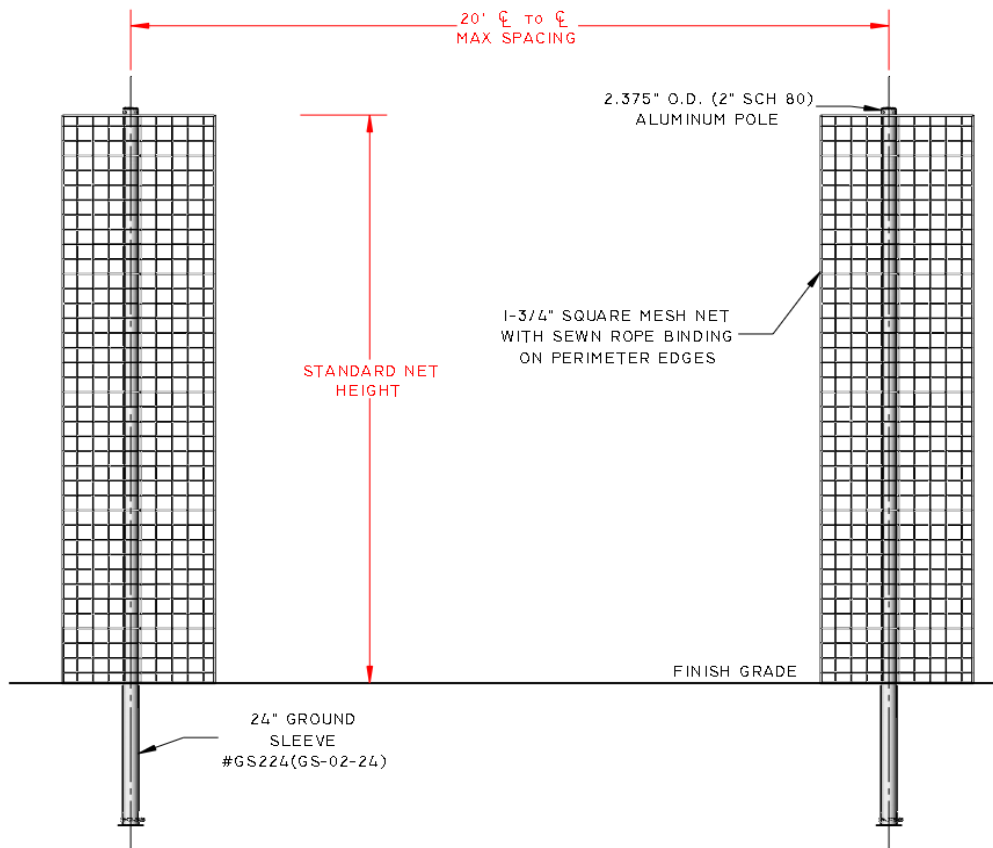




## Ball Safety System with 2" Diameter Poles Installation Instructions

### BSS28 (TFBSS208P) 8' Ball Safety System BSS210 (TFBSS210P) 10' Ball Safety System

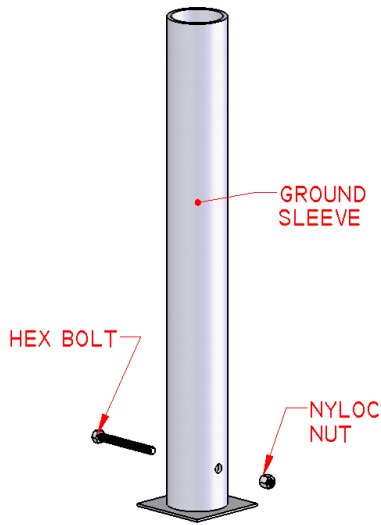
A Ball Safety System (BSS) consists of one or more nets held up by hardware at various pole locations such that the net is at a desired height. A BSS run is a run of a single net; thus, the length of a run is the length of net provided.



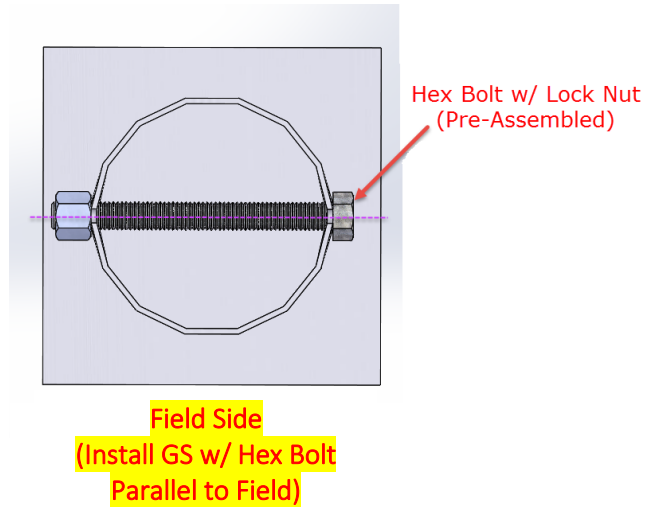
**Figure 1 - Single Run of a Ball Safety System**

# GROUND SLEEVE INSTALL

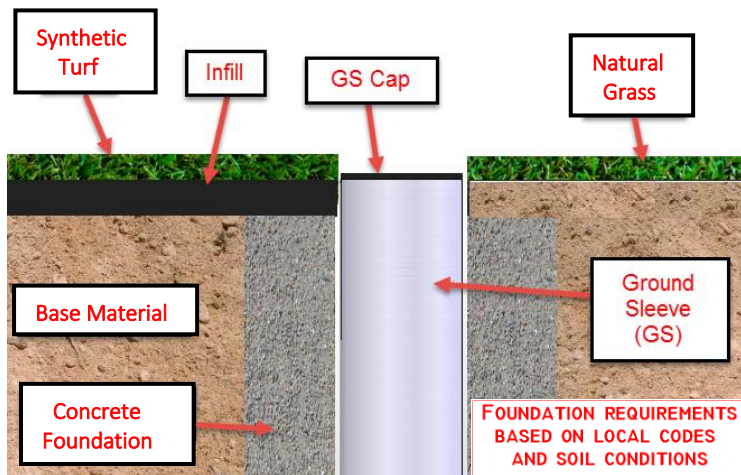
The 2" diameter pole BSS are inserted into a 2"x24" ground sleeve. Each ground sleeve comes with 3/8" x 3-1/2" long hex bolt and 3/8" nyloc nut as shown in *Figure 2*.



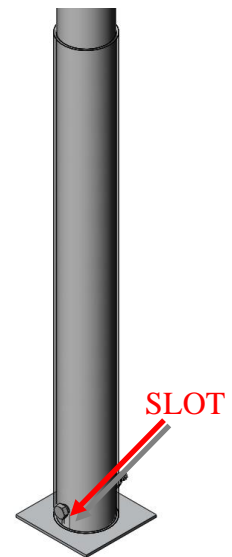
**Figure 2 - Ground Sleeve**



**Figure 3 - Ground Sleeve Orientation (Top View)**



**Figure 4 - Ground Sleeve Depth Reference (Section View)**



**Figure 5 - Pole Inside Ground Sleeve Ref.**

1. Mark the locations of the ground sleeve on the field.

**IMPORTANT:** The distance between each pole should not exceed twenty (20) feet to minimize net sag.

2. Excavate for footings and place concrete forms. Footing requirements will vary depending on applicable codes and site soil conditions.
3. Center the ground sleeves in the concrete forms with rebar cages (if applicable) and secure them in a plumb position. The top of the ground sleeve should be flush with the finished grade as shown in *Figure 4*.

**IMPORTANT:** The hex bolt should run parallel to the length of the net so that it will line up accordingly with the slot at the bottom of the pole in *Figure 3*.

4. Cover the sleeves with plastic caps (provided) to keep debris out during concrete placement.
5. Pour concrete foundation and allow concrete to fully cure and backfill.
6. Repeat procedures for all ground sleeves.

**Note:** Once all ground sleeves are set, a final field measurement can be taken and provided to Sportsfield Specialties for fabrication of net.  
Measurements can be taken by measuring center of ground sleeve to center of ground sleeve.

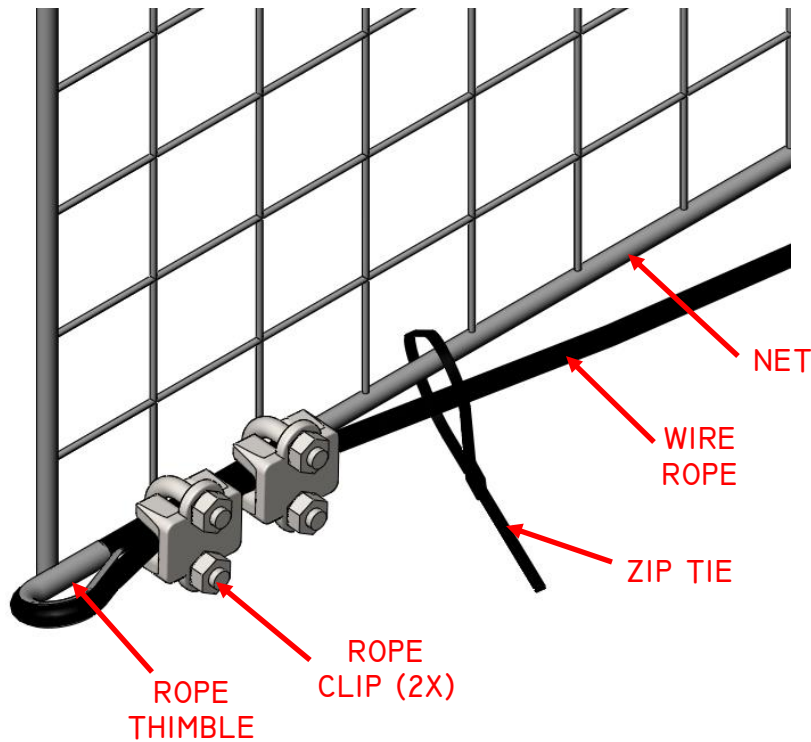
# **NET PREPARATION**

Each run of a ball safety system has one (1) net and each net has the following hardware.

**Table 1 – Net Hardware**

Bag Item	Part Number	Description		Qty	Units
MISC. (extras included)	CT8120B (113-6JU15)	8" Black Zip Ties (Send in Bulk)	-	Variable	ea.
	PURCHP-0751	7x19 GAC, 1/8" Coated to 3/16" dia. w/ Black Vinyl	-	Variable	ft.
	PURCHP-0641 (113-TSD0125)	1/8" Thimble Standard Duty Galv.	-	2 Per Run	ea.
	PURCHP-0462 (115-30441)	1/8" Wire Rope Clip Drop Forged HD Galv.	-	4 Per Run	ea.
	PURCHP-0048 (113-VGACB187/250- 0050)	7x19 GAC, 3/16" Coated to 1/4" dia. w/ Black Vinyl	-	Variable	ft.
	E-0007-HD15 (HD-RUN)	Horizontal Cable Clips & Thimbles	-	1 Set Per Run	ea.

*Figure 5* illustrates the use of the net hardware.



**Figure 5 - Wire Rope to Bottom of Net Assembly**

## Wire Cable Clamping Do's and Dont's



1. Gather the galvanized vinyl coated wire rope that is seen above in *Table 1*.
2. **Cut cable to desired length. Remove 16” of vinyl coating from each end.**
3. At one end of the wire rope, make a loop to tightly fit around the rope thimble as seen below in *Figure 7*.



**Figure 7 – Thimble, Rope and Rope Clips Assembly**

4. Maintain the loop by clamping the wire rope with the two rope clips tightly so that the thimble does not fall out, orient clips as shown in *Figure 7*.

**IMPORTANT:** Tighten Rope Clip Nuts, alternating between Nuts at Least Six Times on Each Rope Clip (Required Torque for 1/8” Rope Clips = 4.5 ft-lbs.)

**IMPORTANT:** Use the 1/4”(PURCHP-0048) cable for the bottom of the netting and the 3/16”(PURCHP-0751) cable for the top.

5. Weave the cable through the square mesh of the net approximately every 6”-8” for the full length of the net.
6. Repeat steps 2, 3 and 4 for the other end of the wire rope.

7. At the bottom of the netting only, using zip ties, fasten the wire cable to the net binding as seen below in **Figure 8**. There are enough zip ties to fasten them approximately every foot along the net. The wire cable should run the entire length of the net and be pulled taut.
8. Once the net has the wire rope zip tied to the bottom binding of the net, the net is ready for attachment to the poles which will be done after the top is attached.



**Figure 8 - Wire Rope to Bottom of Net Assembly**

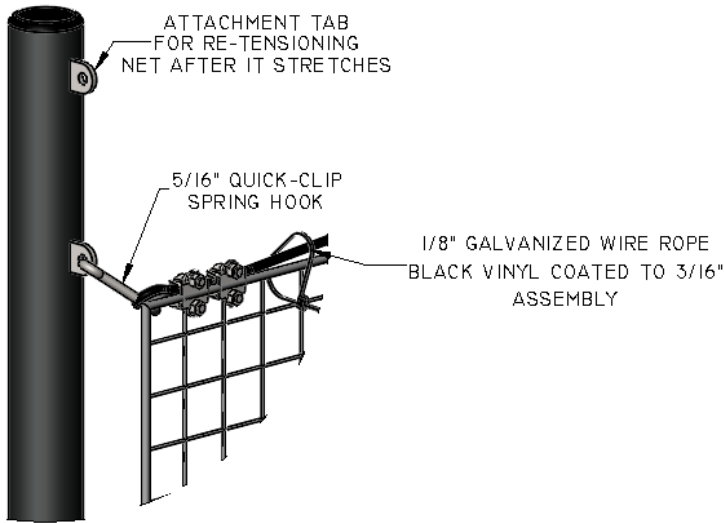
## **POLE HARDWARE**

Although the number of poles vary depending on the size of the field, the quantity and type of hardware for each pole location is the same. The following table lists the hardware required at each pole location.

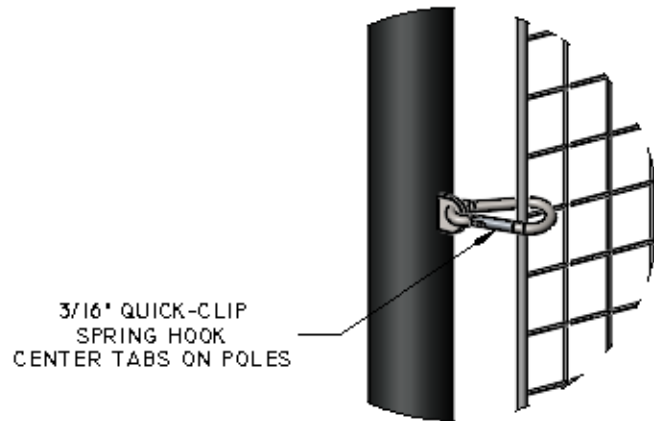
**Table 2 - Pole Hardware**

Quantity	Part Number	Description
2	PURCHP-0009 (113-209860)	5/16" Spring Hook
2	PURCHP-0097 (114-116-304-SPHK2450-187N)	3/16" Spring Hook

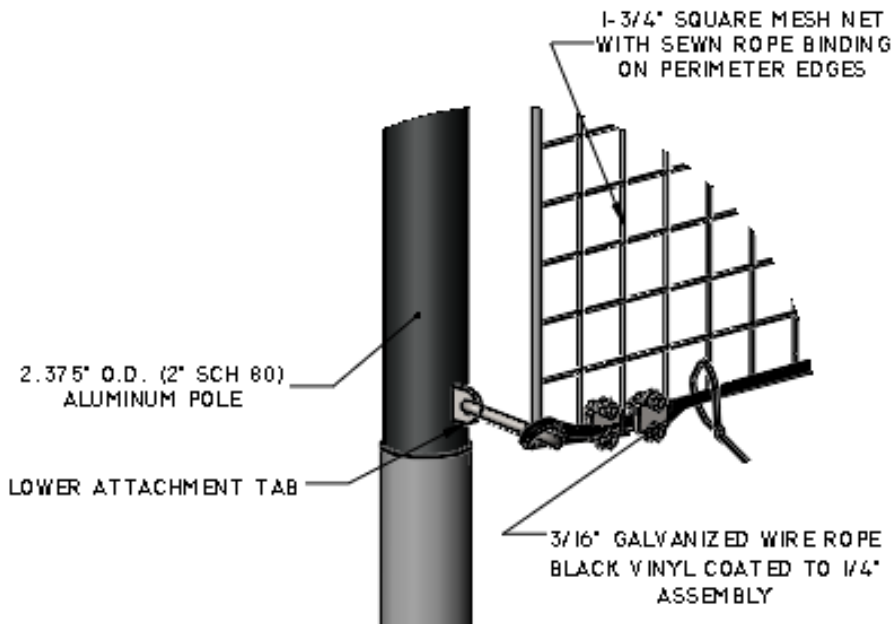
**“END” POLE LOCATION**



**Detail A**

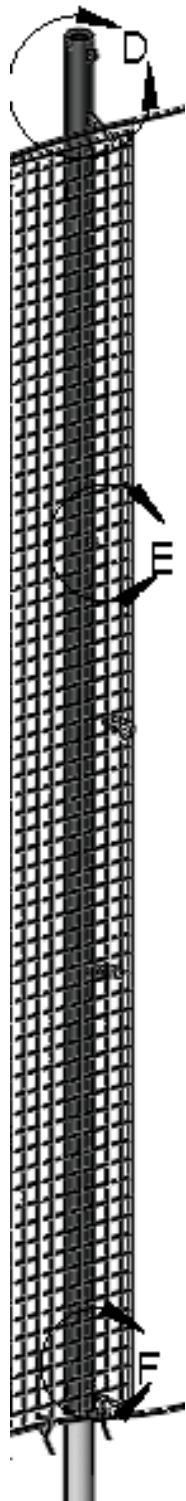


**Detail B**

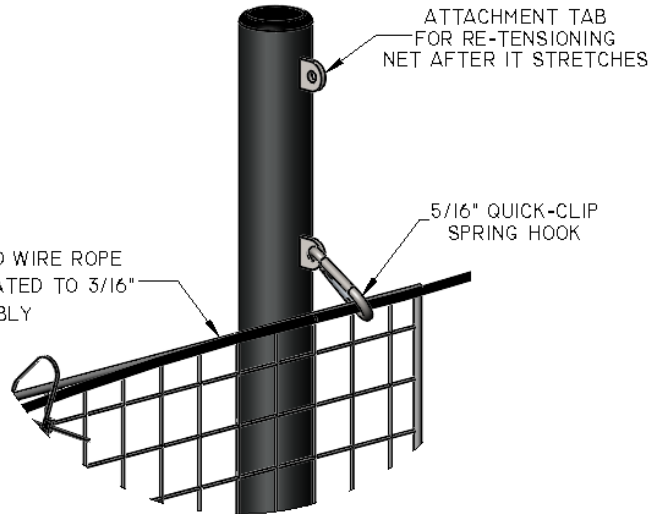


**Detail C**

**“INNER” POLE LOCATION**



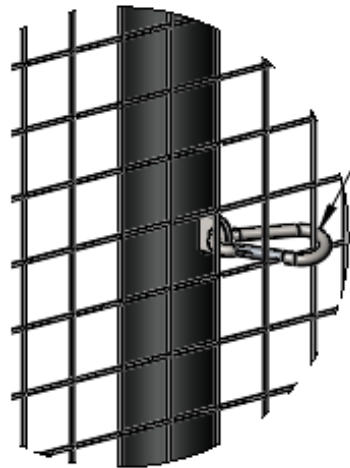
1/8" GALVANIZED WIRE ROPE  
BLACK VINYL COATED TO 3/16"  
ASSEMBLY



ATTACHMENT TAB  
FOR RE-TENSIONING  
NET AFTER IT STRETCHES

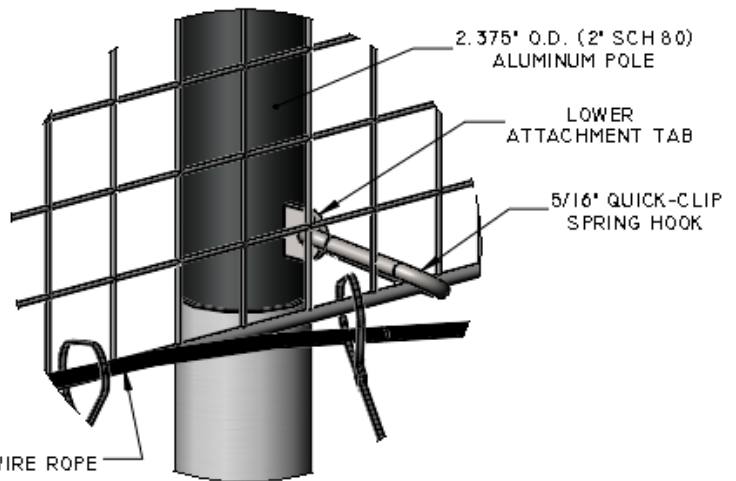
5/16" QUICK-CLIP  
SPRING HOOK

**Detail D**



3/16" QUICK-CLIP  
SPRING HOOK  
CENTER TABS ON POLES

**Detail E**



2.375" O.D. (2" SCH 80)  
ALUMINUM POLE

LOWER  
ATTACHMENT TAB

5/16" QUICK-CLIP  
SPRING HOOK

3/16" GALVANIZED WIRE ROPE  
BLACK VINYL COATED TO 1/4"  
ASSEMBLY

**Detail F**

### Top Cable:

1. To properly size the top cable, loop one end of the 1/8" cable around a thimble and secure with wire rope clips in the same manner as was done for the bottom cable **Figure 7 on page 6**.

**IMPORTANT:** Tighten Rope Clip Nuts, alternating between nuts at least Six Times on Each Rope Clip (Required Torque for 3/16" Rope Clips = 7.5 ft.-lbs.)

**IMPORTANT:** Use the 1/4"(PURCHP-0048) cable for the bottom of the netting and the 3/16"(PURCHP-0751) cable for the top.

2. Temporarily clip the looped end of the top cable to the bottom end pole. **See figure 9**



**Figure 9 – Sizing Top Cable**

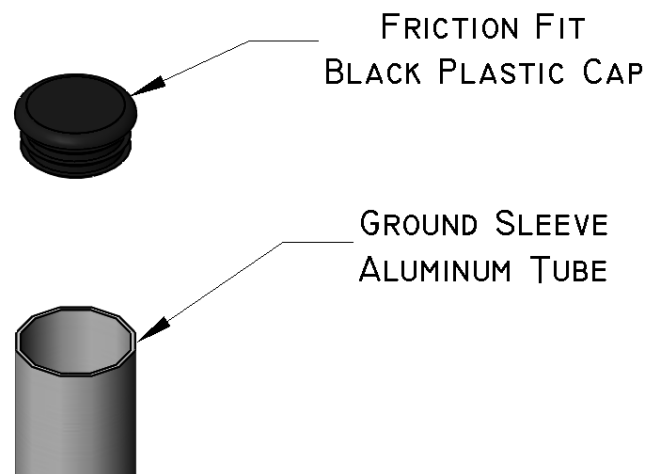
3. Pull the cable to the bottom spring clip on the opposite pole at the end of the run, snap a thimble around the bottom spring clip, pull the cable taut and install the rope clips. **Figure 9**
4. Now remove the 1/8" top cable run from the bottom tab & weave it through the top row of netting squares at 6"-8" intervals for the full length of the net run.
5. Attach the ends of the cable & corner of the netting to the 5/16" spring hooks at the top of the end poles, allow the remaining net to sag naturally across all interior poles.
6. Attach a 5/16" spring hook around the top net binding & top cable at the **center pole**, select the netting square that is the most centered on the pole with the net draped naturally, then clip to the second tab from the top of the pole.
7. Repeat step 6 at all remaining poles, always working from center(s) created during the net hanging process.
8. Attach the bottom cable to the spring clips at the two end poles followed by the interior poles. **See Detail F (pg 9)**.
9. At each end pole attach the 3/16" spring hooks to each pole tab vertically as shown in **Detail B (pg 8)**. Maintain the spring hook locations by clipping the spring hook around the binding of the net.
10. Installing the net at the "inner" pole location is the same as at the "end" pole location. However, at the bottom of the pole, there will be no loop in the wire rope. Simply clip the 5/16" spring hook around wire rope and net binding as seen in **Detail F (pg 9)**, and on the poles install the 3/16" spring clips so that it catches 2 strands of the net per **Detail E (pg 9)**

11. Once the netting is installed, hang provided laminated warning signs at each end of every run of netting using (4) Zip Ties on each sign.

## **MAINTENANCE AND DISASSEMBLY OF SYSTEM**

Sportsfield Specialties, Inc. strongly recommends the removal of all nets prior to exposure to winter weather, including snow and/or ice storms. Whenever possible, the nets should also be lowered prior to any extreme wind events. Removal/Lowering of the nets will mitigate any unforeseen damage to the poles, nets and/or attachment hardware. Storing nets in a dry, pest free location will help extend the life of the nets. Sportsfield Specialties, Inc. will not be held liable or assume responsibility for any damage to the nets, poles and/or corresponding attachment hardware if the nets are not removed/lowered prior to the above described wind and/or weather events. Pole removal is recommended but is optional.

1. Simply unclip the spring hooks from the net.
2. Without removing the wire rope assembly (wire rope, thimble, rope clips, and zip ties) from the net, roll up the net.
3. Remove the poles from the ground sleeves.
4. Insert the ground sleeve cap into the hole left behind by the removal of the pole from the ground sleeve.



**Figure 10 - Ground Sleeve Cap Insertion**

5. If desired, remove all pole hardware and store in single container.
6. Store the net, poles, and hardware in a dry pest free location.

## **REPLACEMENT PARTS**

Contact Sportsfield Specialties Customer Service at 1-888-975-3343 for replacement hardware.



Sportsfield Specialties, Inc.

P.O. Box 231

41155 State Highway 10

Delhi, N.Y. 13753

Phone: 888-975-3343

Fax: 607-746-8911

Website: [www.sportsfieldspecialties.com](http://www.sportsfieldspecialties.com)