



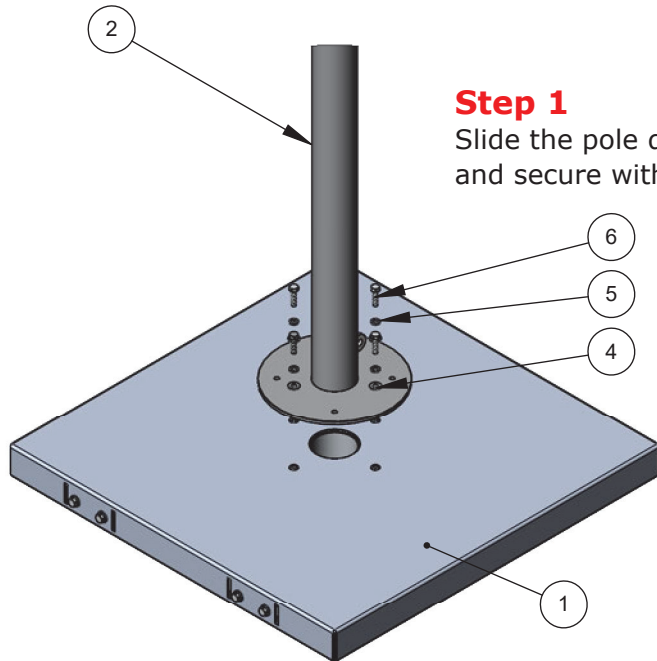
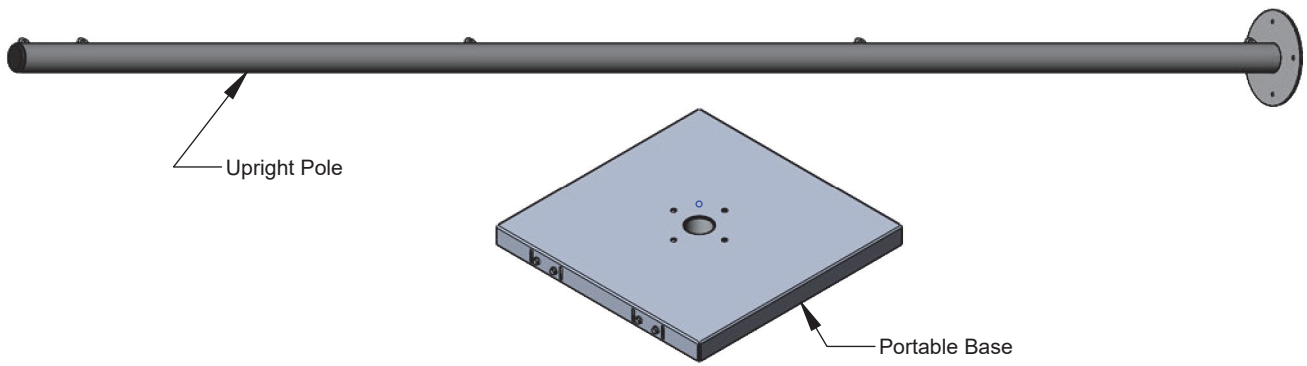
1-888-975-3343

Install Instructions

Ball Safety System with 2" Diameter, Portable Poles

Product No.	Product Description
BSS28PT	8' Portable Ball Safety Netting System Includes 2" Schedule 40 Aluminum
BSS210PT	10' Portable Ball Safety Netting System Includes 2" Schedule 80 Aluminum
BSSPTWK	8' and 10' Portable Ball Safety Netting System Base Plate Transport Wheel Kit

Portable Pole Assembly.....	ID-00413
Ball Safety System Net Preparation.....	ID-00422
Ball Safety System, Hanging the Net.....	ID-00410
Portable Ball Safety System Wheel Kit (Optional).....	ID-00423
Maintenance and Disassembly of Ball Safety System.....	ID-00405



Step 1

Slide the pole down into the base and secure with supplied hardware.

Step 2

Fill provided sand bags (sand provided by others) and place on the pole base.



ITEM NO.	Quantity	Part Number	DESCRIPTION
1	1	E-0307-S003	Portable Base W/ Sleeve
2	1	E-0307-S002	Straight 2" (2.375 O.D.) SCH 80 Aluminum Pole for 10' Portable
3	2		Vinyl Sand Bag
4	4	110-FLW-0002	1/4" S.S. FLAT WASHER
5	4	110-SLW-0002	1/4 SS LOCK WASHER
6	4	101-HHC-0021	1/4-20 x 1.00" hex head bolt, 304 SS

TITLE:

Portable Pole Assembly

DWG NO:

ID-00413

SHEET 1 OF 1

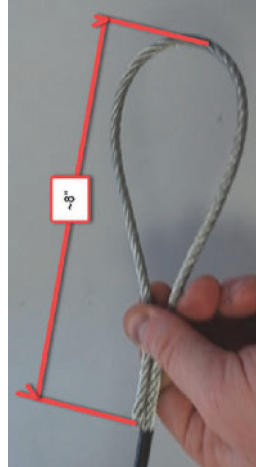
Step 1

Obtain the vinyl coated wire rope. The cable should be cut down to the length of net run plus 16 inches.

Step 2

Strip ~16" of vinyl coating from both ends of the wire rope. Loop the cable at one end holding it with an ~8" loop as shown.

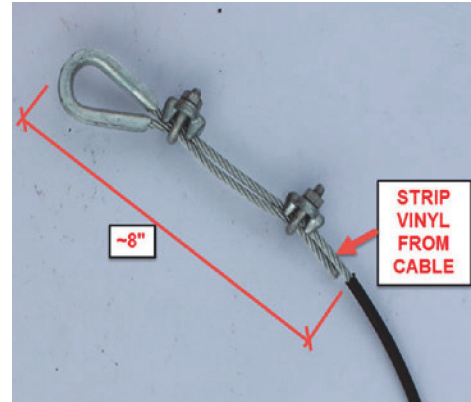
IMPORTANT: An impact drill is recommended for this task, alternate a minimum of 6-8 times while tightening. Required torque for 1/8" rope clips = 3 ft-lbs and for 3/16" rope clips = 4.5 ft-lbs.



Step 4

Secure with rope clips as shown.

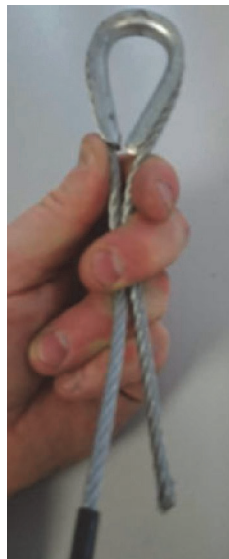
IMPORTANT: If rope clips are not installed as shown, the cable may unattach from the thimble and separate from the pole under tension from wind or any other force.



NOTE: Install Saddles on Live End of Wire Rope.

Step 3

Insert the thimble into the interior of the cable loop, bending the cable into the thimble channel.



Step 5

Unfold and layout a run of netting at the base of the poles. Starting at the bottom corner, weave the free end of the wire rope through the square mesh at the bottom of the net every 6-8" the full length of the netting.

Step 6

Zip tie the net binding to the wire rope every 12-18".

Step 7

Repeat steps 1 through 6 for the opposite end pole.

Step 8

For 2" Semi-Permanent Ball Safety Systems only, repeat all steps for top cable attachment.

ITEM NO.	Quantity	Part Number	DESCRIPTION
1	Variable	CT8120B	8" Black Zip Ties
2	Variable	PURCHP-0751	7x19 GAC, 1/8" Coated to 3/16" dia. w/ Black Vinyl
3	2 Per Run	PURCHP-0641	1/8" Thimble Standard Duty Galv.
4	4 Per Run	PURCHP-0462	1/8" Wire Rope Clip Drop Forged HD Galv.
5	Variable	PURCHP-0048	7x19 GAC, 3/16" Coated to 1/4" dia. w/ Black Vinyl
6	4	PURCHP-0569	3/16" Wire Rope Clip, Drop Forged HD Galv.
7	2	PURCHP-0010	1/4" Thimble Heavy Duty, Galv.

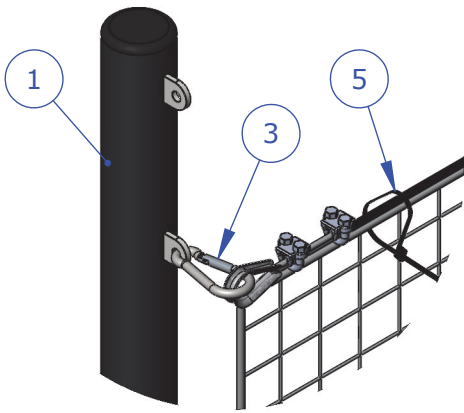
TITLE:

Ball Safety System Net Preparation

DWG NO:

ID-00422

SHEET 1 OF 1



Step 1

Attach a 5/16" spring hook around the top net binding at each end pole. Clip the spring hook to the second tab down from the top of the pole and to the thimble. Allow the net to hang naturally across all interior poles.

Step 2

Find the center of the net. At the center pole, or the pole closest to the center of the net run, attach the net binding and cable to the second tab down from the top of the pole, using a 5/16" spring hook.

Step 3

Repeat at all interior poles, moving out from the center point and attaching at every other pole so the net is distributed evenly as it is being hung.

Step 4

Clip a 5/16" spring hook to the bottom tab at the base of the first end pole.

Step 5

Attach the net binding and the thimble end of the bottom cable to the spring hook at the bottom of the pole.

Step 6

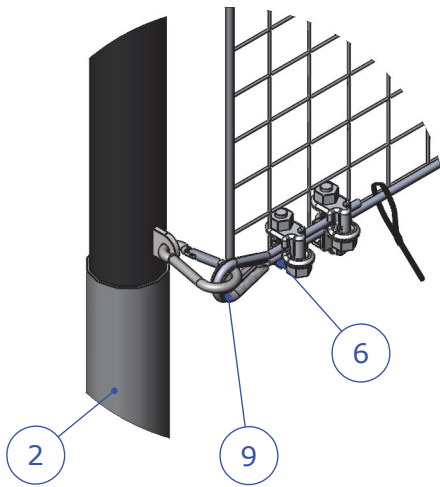
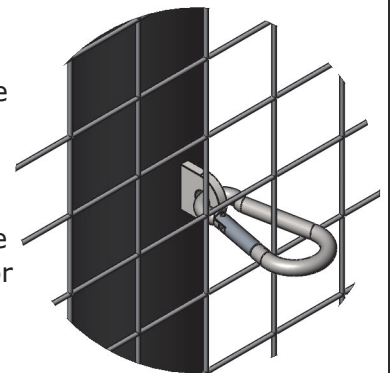
Repeat steps 4 and 5 at the second end pole.

Step 7

At the interior poles, attach the bottom cable and net binding to the bottom pole tab using the 5/16" spring hooks.

Step 8

Using the 3/16" spring hooks, attach the net binding, if applicable, at each interior vertical tab location on the poles.

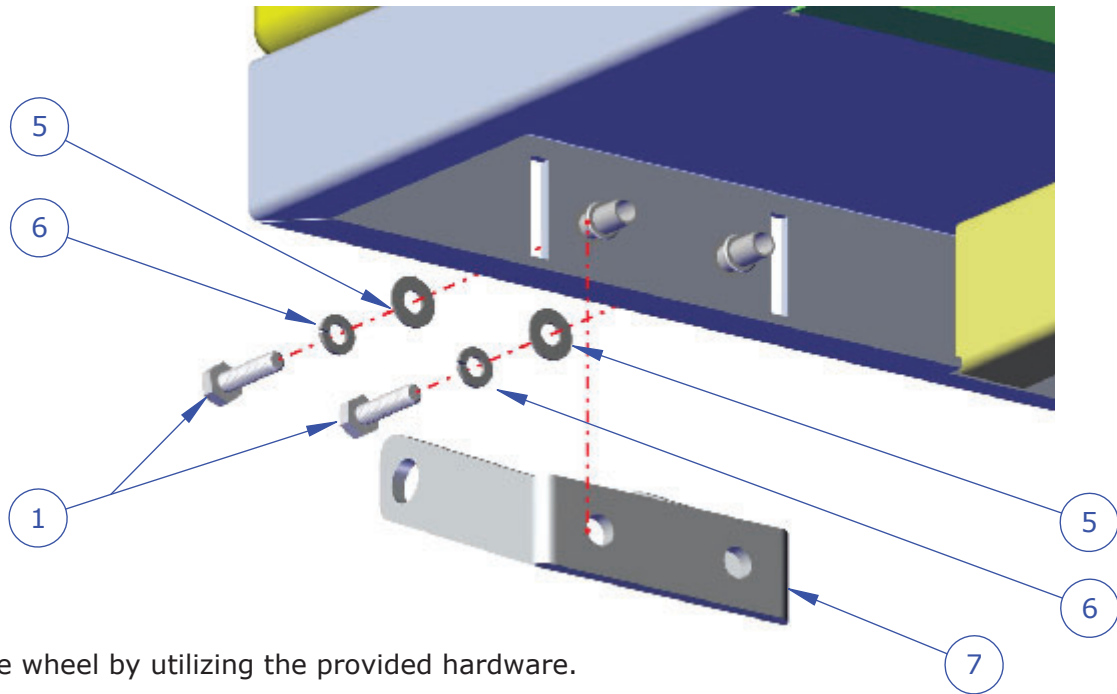


ITEM NO.	Quantity	Part Number	DESCRIPTION
1	2	E-0007-S003	Straight Pole, Ball Safety, BSS210, 2" Sch 80 (2.375" OD x .218 Wall), Aluminum, Black, 12'-8" L
2	2	GS224	2.425" ID x 24" Ground Sleeve
3	11	PURCHP-0009	5/16" Spring Hook
5	4	CT8120B	Black Cable Tie
6	2	PURCHP-0569	3/16" Wire Rope Clip, Drop Forged HD Galv
7	1	PURCHP-0010	1/4" S.S. Wire Rope Thimble
10	1	PURCHP-0751	1/8" coated to 3/16" Dia., 7x19 GAC w/Black Vinyl Coating, 1000' spool
11	1 Each	PURCHP-0641	1/8" Thimble Standard Duty, Galv., Peak Part #: 115-TSD0125
12	1	PURCHP-0048	3/16" coated to 1/4" Dia. x 1000', 7x19 GAC w/ Black Vinyl, Breaking Strength 4200lbs.,WLL 840lb

TITLE:	Ball Safety System, Hanging the Net	DWG NO:	ID-00410
			SHEET 1 OF 1

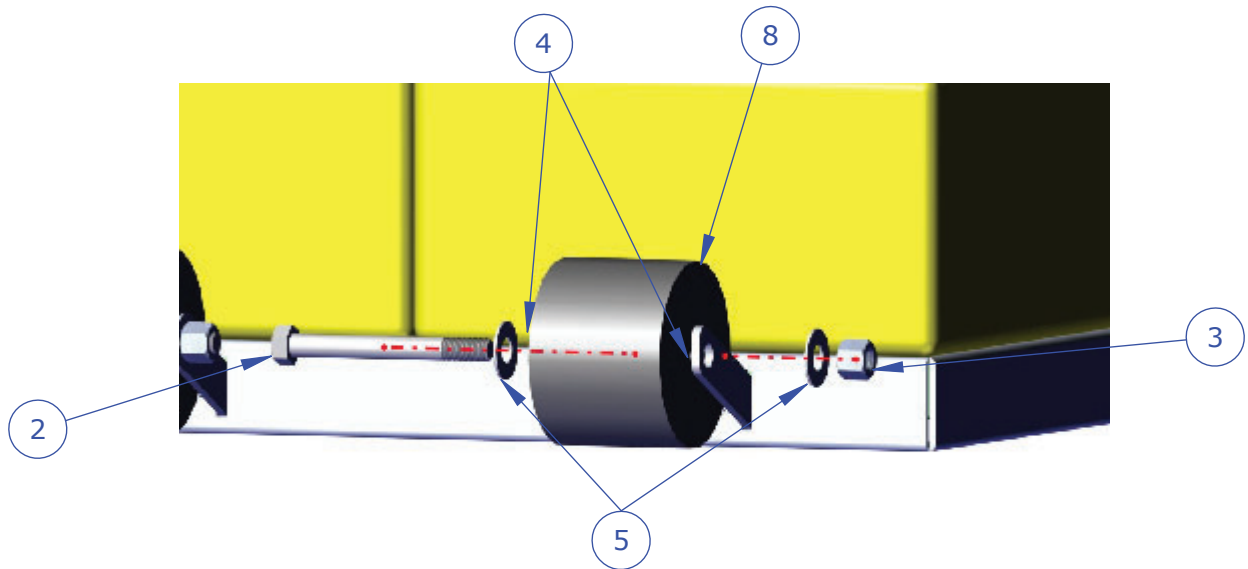
Step 1

Slide the wheel bracket through the base from the inside. Secure with the supplied hardware.



Step 2

Install the wheel by utilizing the provided hardware.



ITEM NO.	QUANTITY	PART NUMBER	DESCRIPTION
1	4	101-HHC-0021	1/4-20 x 1.00" Hex Head Bolt
2	2	101-HHC-0008	1/2-13 x 4.50" Hex Head Bolt, 304 SS
3	2	107-HXN-0002	1/2-13 Nylock Hex Nut, 316 SS
4	4	110-FLW-0002	1/4" S.S. FLAT WASHER
5	8	110-FLW-0001	1/2-13 Flat Washer SS
6	4	110-SLW-0002	1/4" split lock washer SS
7	2	Undefined	Wheel Mount
8	2	Undefined	Wheel

TITLE: Portable Ball Safety System Wheel Kit (Optional)	DWG NO: ID-00423
	SHEET 1 OF 1

NOTE: FOR NETTING SYSTEMS WITH STORMGUARD HARDWARE: StormGuard® pins that fail must be immediately replaced by following *StormGuard® Hardware Replacement* instructions or the system taken down. Failure to do so may result in damage to the netting and/or the poles.

NOTE: If your netting system has vertical cables, the tension of all vertical cables should be checked a minimum of twice a year. Systems that remain up 12 months a year or are in high wind exposures may require additional and/or more frequent inspections. Excess slack in any of these cables should be eliminated by re-tensioning the cables as in *Vertical Cable Tensioning* instructions.

TO REMOVE THE NETS

Step 1

Unclip the spring hooks from the net.

Step 2

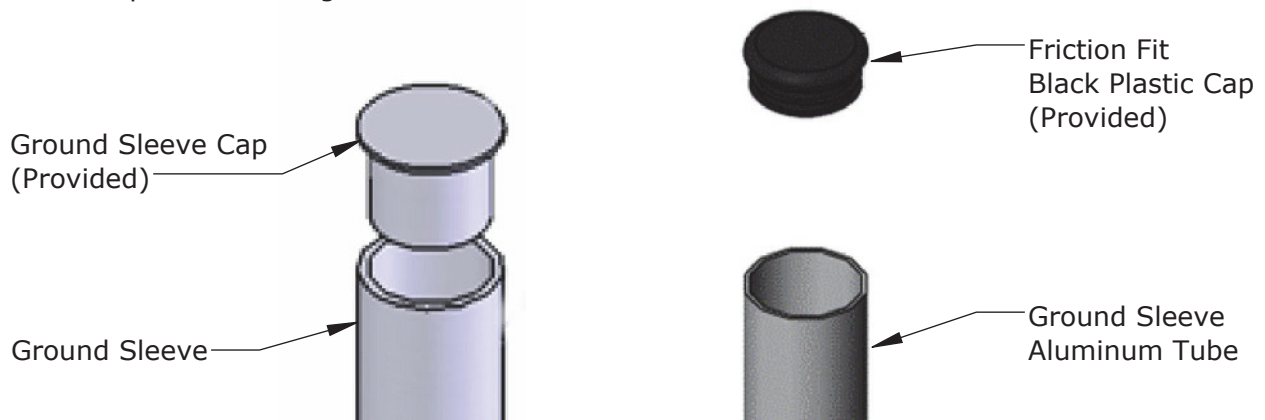
Without removing the wire rope assembly (wire rope, thimble, rope clips, and zip ties) from the net, roll up the net.

Step 3

Remove the poles from the ground sleeves, if desired.

Step 4

If poles are removed, insert the ground sleeve cap, if applicable, into the hole left behind by the removal of the pole from the ground sleeve.



Step 5

If desired, remove all pole hardware and store in a single container.

Step 6

Store the net, poles, and hardware in a dry environment

Sportsfield Specialities, Inc. strongly recommends the removal of all nets prior to exposure to winter weather, including snow and/or ice storms. Whenever possible, the nets should also be lowered prior to any extreme wind events. The StormGuard® system, if applicable, will prevent pole failure in the above scenarios, but removal/lowering of the nets will mitigate any unforeseen damage to the nets and/or attachment hardware. Storing nets in a dry, pest free location will help extend the life of the nets. Sportsfield Specialities, Inc. will not be held liable or assume responsibility for any damage to the nets, poles and/or corresponding attachment hardware if the nets are not removed/lowered prior to the above described wind and/or weather events.

Sportsfield Specialities Inc. netting system poles are designed to strength, not deflection. As a result, some defelection will occur during installation and should be considered normal. Deflection may also be evident in calm conditions, particularly on the outer most poles of a given netting system.

TITLE: **Maintenance and Disassembly
of Ball Safety System**

DWG NO:

ID-00405

SHEET 1 OF 1