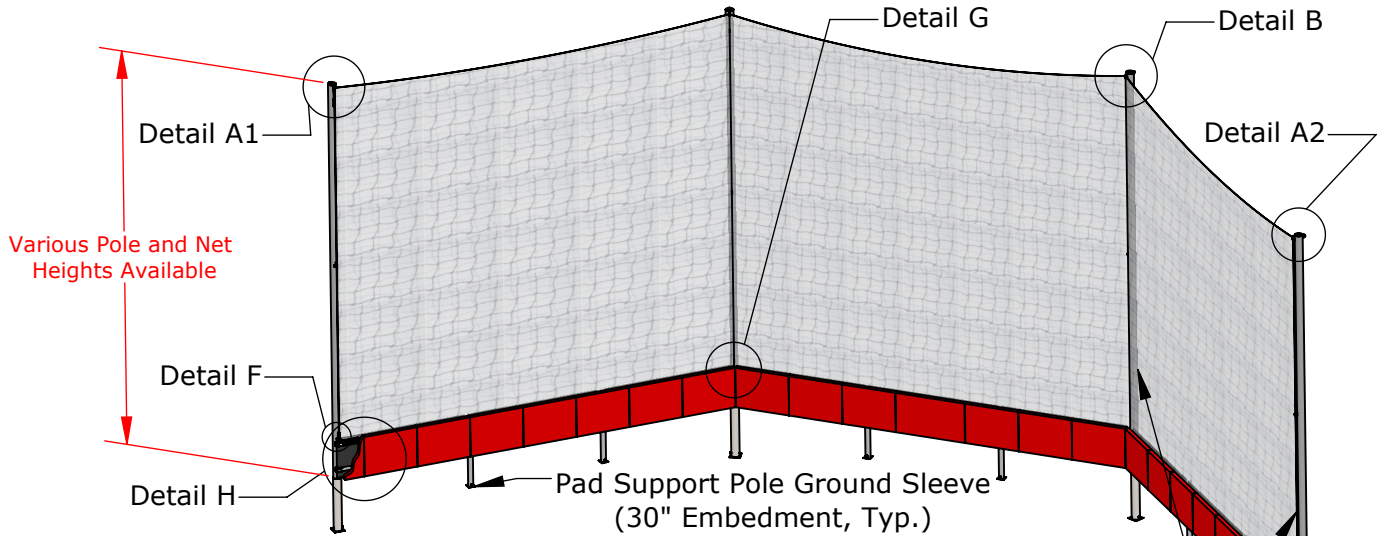
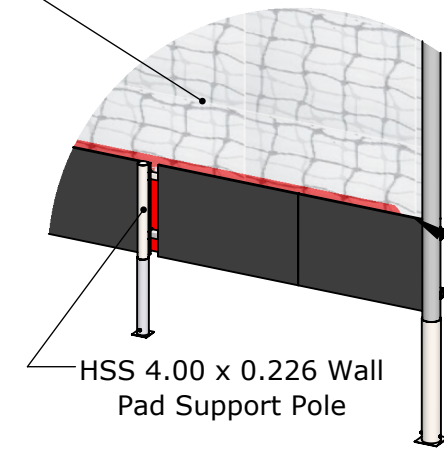


Standard Black Powder Coated Finish

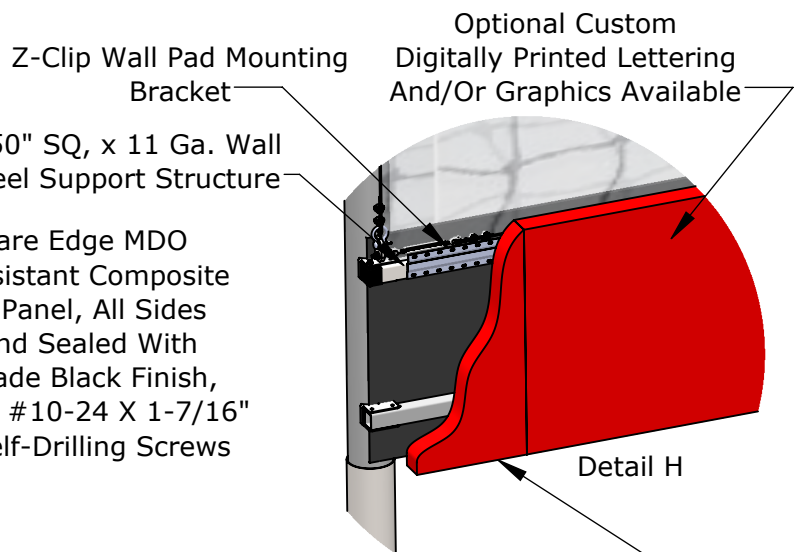


Black Ultra Cross® Knotless Dyneema® Netting
or
Black #36 Nylon Netting,
1-3/4" Square Mesh with Rope Bound Perimeter

HSS Steel
Termination and Intermediate Poles,
Direct Embedment or Ground Sleeve
(Embedment Varies)



REAR VIEW



Part #	Net Material	Standard Wall Pad Heights
TNPP36WPB	#36 Nylon	24", 30", 36", 42", 48", 54", 60"
TNPPUCWPB	Ultra Cross	

BaseZone® Wall Pad,
19 oz. Premium Outdoor Vinyl, High UV Resistance,
Various Standard Colors Available

SSI tension netting system poles are designed to strength, not deflection. As a result some deflection will occur during installation and should be considered normal. Deflection may also be evident in calm conditions, particularly on the outer most poles of a given tension netting system.

**Foundation Requirements
Based on Local Codes and
Soil Conditions**

PROPRIETARY AND CONFIDENTIAL

THE INFORMATION CONTAINED IN THIS DRAWING IS THE SOLE PROPERTY OF SPORTSFIELD SPECIALTIES INC. ANY REPRODUCTION IN PART OR AS A WHOLE WITHOUT THE WRITTEN PERMISSION OF SPORTSFIELD SPECIALTIES INC. IS PROHIBITED.

**Pole to Pole Tension Backstop Netting System
With Integrated Wall Pad**

Not To Scale

Sportsfield Specialties Inc 11172025