



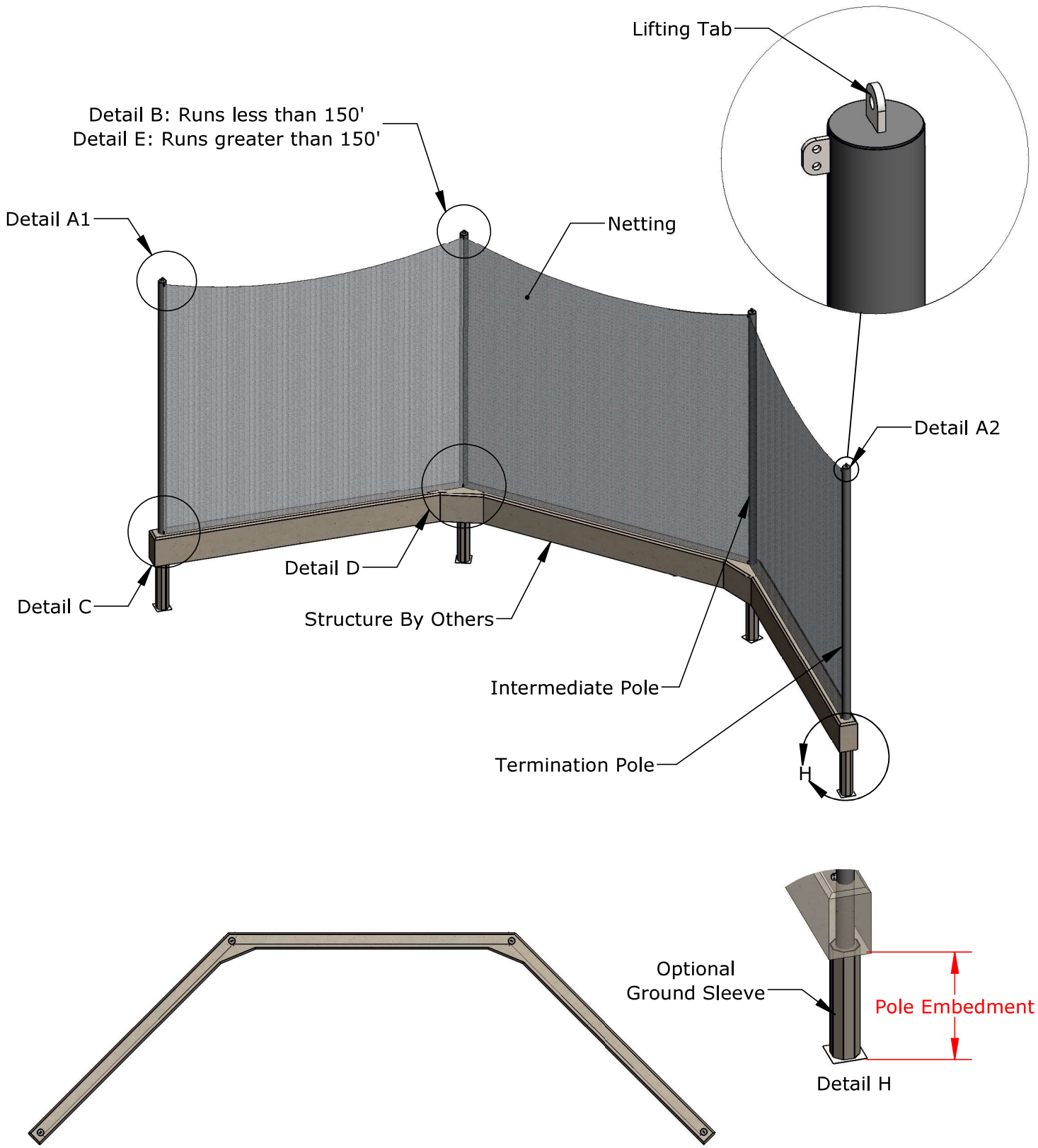
1-888-975-3343

Install Instructions

Pole to Pole Tension Netting System

Product No.	Product Description
TNPP36	Pole to Pole Tension Netting System, #36 Nylon
TNPPUC	Pole to Pole Tension Netting System, UltraCross

System Overview.....	ID-00251
Pole Installation.....	ID-00252
Splice Pole Assembly.....	ID-00158
Heat Shrink Tubing Application.....	ID-00145
Cable Attachment.....	ID-00253
Netting Attachment.....	ID-00254
Pole to Pole Tension Netting System Detail A1 Cut Sheet.....	Reference
Pole to Pole Tension Netting System Detail A2 Cut Sheet.....	Reference
Pole to Pole Tension Netting System Detail B Cut Sheet.....	Reference
Pole to Pole Tension Netting System Detail C Cut Sheet.....	Reference
Pole to Pole Tension Netting System Detail D Cut Sheet.....	Reference
Pole to Pole Tension Netting System Detail E Cut Sheet.....	Reference



All Custom Tension Netting System Sizes and Layouts Require Design and Professional Engineering

SSI Tension Netting System Poles are Designed to Strength, Not Deflection. As a Result Some Deflection Will Occur During Installation and Should Be Considered Normal. Deflection May Also Be Evident in Calm Conditions, Particularly on the Outer Most Poles of a Given Tension Netting System.

Foundation Requirements Based on Local Codes and Soil Conditions

TITLE:
System Overview

DWG NO:
ID-00251

SHEET 1 OF 1

Step 1

Use the provided system pole layout to mark the locations of all poles and ground sleeves (if applicable) on the field. Be sure to match the center distance to the desired system. Refer to stamped design drawings, project specifications and/or local building codes for exact foundation dimensions, as local soil conditions will vary.

Step 2

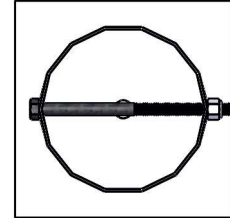
Excavate holes for all foundations.

Ground Sleeve Installation (if applicable)

Step 1

Center the ground sleeve in the form and secure it in a plum and level position. The top of the ground sleeve should be set level with finish grade.

For ground sleeves containing a stop bolt, orient the ground sleeve such that the stop bolt will be perpendicular to the netting tab on the pole. For ground sleeves without a stop bolt, the orientation can be disregarded.



Stop Bolt to be Oriented Perpendicular to Netting Tab

Step 2

Pour concrete foundation to the top of the sleeve. Allow concrete to adequately cure.

Step 3

Set the pole in the ground sleeve with the proper tab orientation. Fill the ground sleeve void with non-shrink grout. Grout provided by others.

Step 4

Caulk all around the top of ground sleeve, covering any exposed edges of sleeve. Use backer rod as required to prevent the caulk from falling into ground sleeve. Backer rod provided by others.

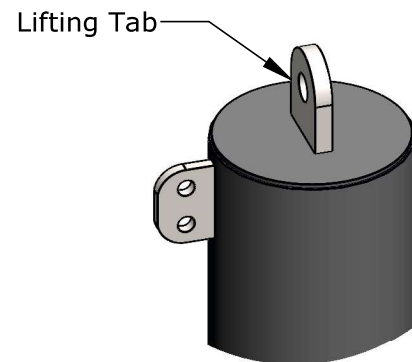
Direct Embedment/Pole Installation

Step 1

Use the lifting tab to raise the poles into position, making sure that the pole is plumb and centered in the form.

Step 2

Lower pole into ground sleeve or concrete form. Position pole such that the tabs face outwards towards the field in the appropriate orientation. For plate mounted systems, fasten the base plate and pole using provided hardware.



TITLE:

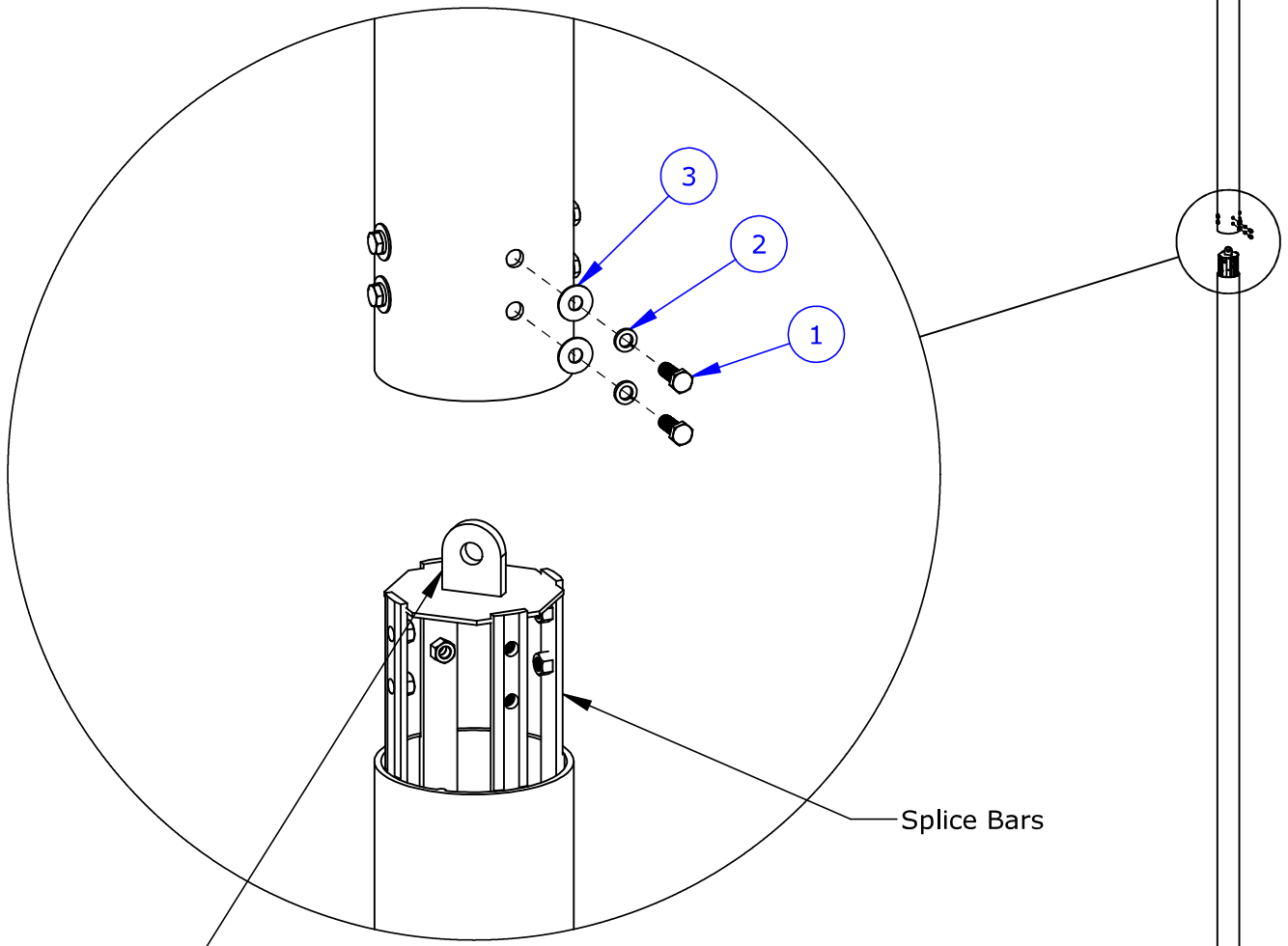
Pole Installation

DWG NO:

ID-00252

SHEET 1 OF 1

NOTE: Only applicable to systems with spliced poles



Slide top pole onto bottom pole using lifting tabs, aligning the holes in the top pole with the holes in the splice bars of the bottom pole. Bolt poles together using shown connection hardware. Tighten all bolts to 500 ft/lbs, maintaining alignment of pole sections.

ITEM NO.	QTY	DESCRIPTION
1	8	Hex Bolt
2	8	Lock Washer
3	8	Flat Washer

TITLE: <h2 style="text-align: center;">Splice Pole Assembly</h2>	DWG NO: <h2 style="text-align: center;">ID-00158</h2>
SHEET 1 OF 1	

Heat shrink tubing is provided at turnbuckle locations to prevent paint damage on poles and/or netting tears in high winds

Step 1

Slide the heat shrink tubing over the turnbuckle and wire rope clips **PRIOR** to completing any cable assembly.

Step 2

After all cables are tensioned, center the heat shrink tubing over the turnbuckle and wire rope clips.

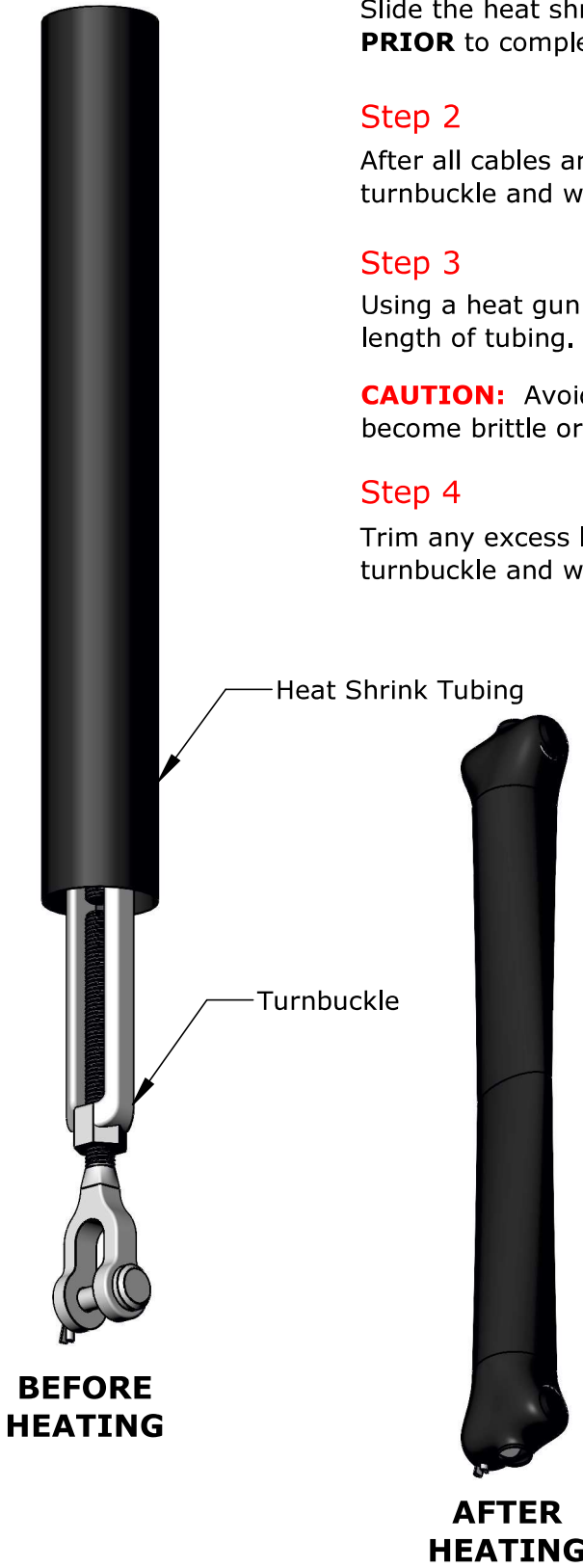
Step 3

Using a heat gun or suitable heat source, evenly apply heat over the entire length of tubing.

CAUTION: Avoid overheating the heat shrink tubing or it may become brittle or charred.

Step 4

Trim any excess length of heat shrink tubing beyond the end of the turnbuckle and wire rope clips.



Turnbuckle Size	Heat Shrink Tubing Required
3/8" Turnbuckle	PURCHP-0884: 1-1/2" OD Tubing
1/2" Turnbuckle	PURCHP-0885: 2" OD Tubing

TITLE:
Heat Shrink Tubing Application

DWG NO:
ID-00145
SHEET 1 OF 1

For the steps below, refer to Pole to Pole Tension Netting System Details A through E.

NOTE: Listed cable sizes are standard. If your system has cables that differ in size, use the larger cable at the top of the system and the smaller cable as the bottom horizontal cable and vertical cables.

Step 1

Lay out the cables to ensure the proper lengths are present for each run. Cut the cable as necessary based on each run, adding a 6" turn back at each end of the cable.

Step 2

Start the top horizontal tension cables (5/16" DIA) by assembling a 5/8" x 12" turnbuckle to an eye bolt at one end (See Detail A Page 1). The cable will pass through the poles at which the cable run does not terminate (See Detail B). At the poles where the cable run terminates, attach the cable with turn back and rope clips directly to the eye bolt (See Detail A Page 2). For systems longer than 150', segment the cable run by terminating on one side and assembling a new turnbuckle on the opposite side to start a new cable run (See Detail E).

Step 3

The horizontal cables can be finished with the bottom (1/4" DIA) cable. This cable is assembled the same way as the top tension cables. Start the cable by attaching to an eye bolt at one end (See Detail C Page 1). At the poles where the cable run terminates, attach the cable with turn back and rope clips directly to the eye bolt (See Detail C Page 2). For systems longer than 150', segment the cable run by terminating on one side and assembling a new turnbuckle on the opposite side to start a new cable run (See Detail E).

Step 4

Thread the vertical cables (1/4" DIA) through the guide tubes on the poles, if present. Fasten the vertical cables the same way as the horizontal cables, with a 1/2" x 9" turnbuckle at the top of the pole (See Detail A) and a 1/2" shackle at the bottom of the pole (See Details C and D).

Step 5

Once all of the cables have been mounted on the poles, use the turnbuckles to tension the horizontal and vertical cables. Be sure not to overtighten turnbuckles and cause the poles to deflect.

TITLE: Cable Attachment	DWG NO: ID-00253	
		SHEET 1 OF 1

NOTE: To ensure desired netting tension, stretch nets on the ground prior to installation.

Your net will arrive 2 feet longer and 1 foot taller than the actual field dimensions and only will be poly rope bound on the left and top perimeters.

Setting Net Position

Step 1

Zip tie the net and sewn border rope to the vertical cable starting from the top left corner (A) and working downward (B).

Step 2

Zip tie the net and sewn border rope to the horizontal cable starting from the top left corner (A) and working rightward to the next vertical cable (C).

Step 3

Zip tie the net to the vertical cable starting from the top right corner (C) and working downward (D).

Step 4

Stretch the net downward until taut. Zip tie the net to the horizontal cable starting from the bottom right corner (D) and working leftward (B). Zip tie around the full mesh square. Use the same row of mesh squares across the entire horizontal cable to keep the net square.

Step 5

Repeat Steps 1-4 for each panel of the net.

Step 6

Trim the excess netting on all sides, staying in the same row of net mesh squares throughout. Leave a full net mesh square around the perimeter.

Securing the Net

Step 1

Starting at the bottom, weave 1/4" poly rope adjacent and parallel to the bottom horizontal cable through every 3-4 net mesh squares, staying in the same row of net mesh squares throughout. Repeat this process for each vertical cable.

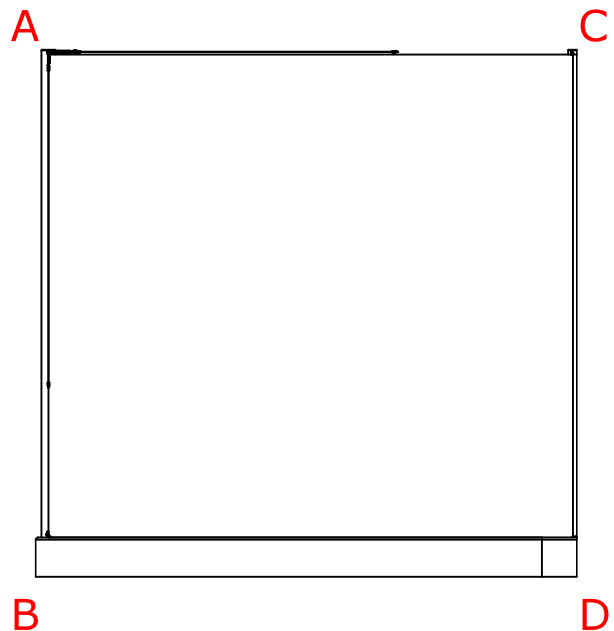
Step 2

Lash the net with 1/8" twine around the entire net perimeter, including woven 1/4" poly rope and all vertical cables. Wrap around the poly rope and galvanized cable, tying a clinch knot every 3-5 squares. See installation video:

www.sportsfield.com/products/ball-safety-netting-systems/tension-netting-systems#instructional-videos

Step 3

Zip tie one "Do Not Stand Next to Netting" sign on each panel of the net. Orient the sign properly to face spectators.



Failure to follow the recommended netting installation will void the manufacturer's warranty.

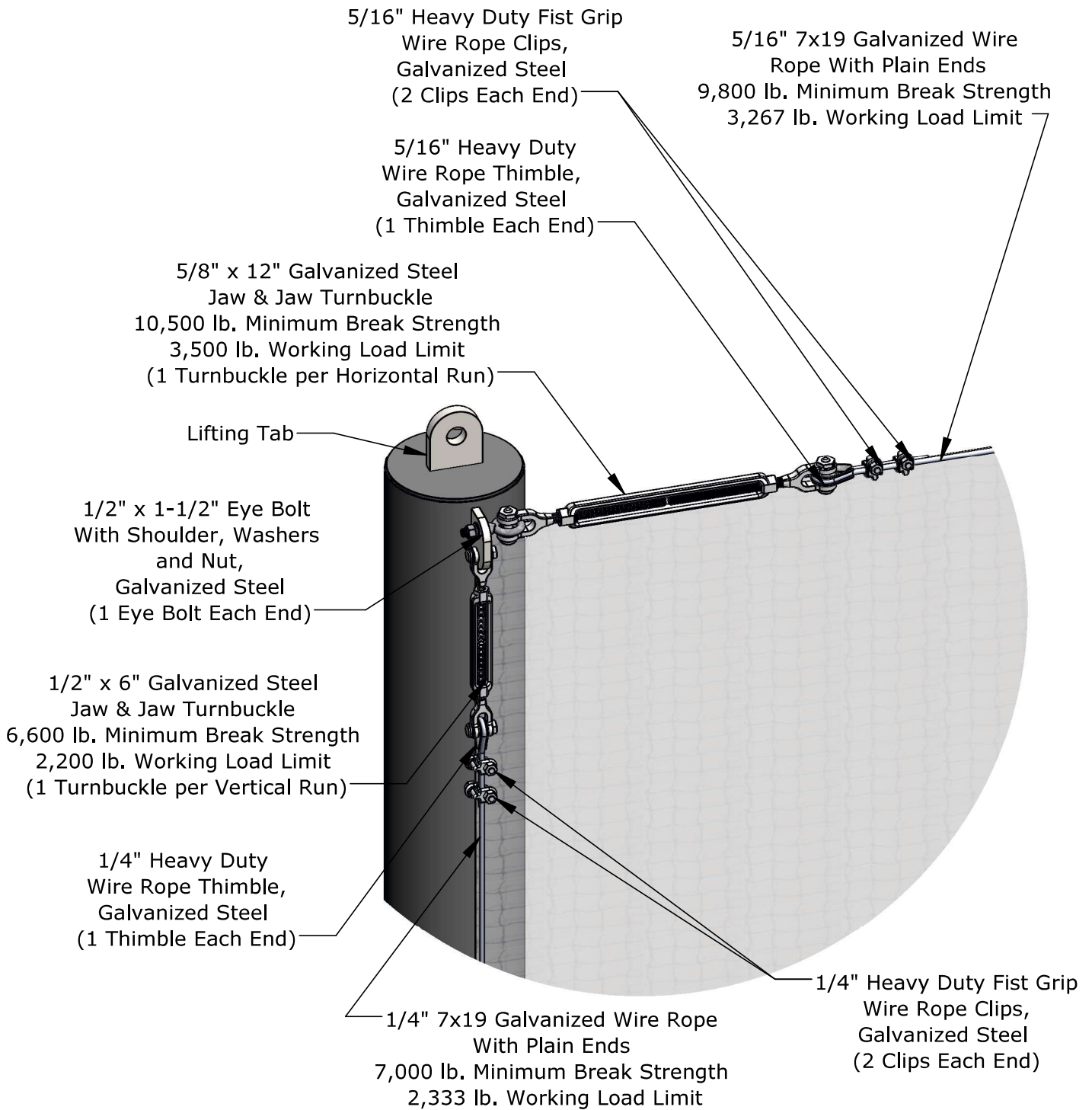
TITLE:

Netting Attachment

DWG NO:

ID-00254

SHEET 1 OF 1



***Applicable to Both Backstop Systems and Integrated Wall Pad Backstop Systems**

PROPRIETARY AND CONFIDENTIAL

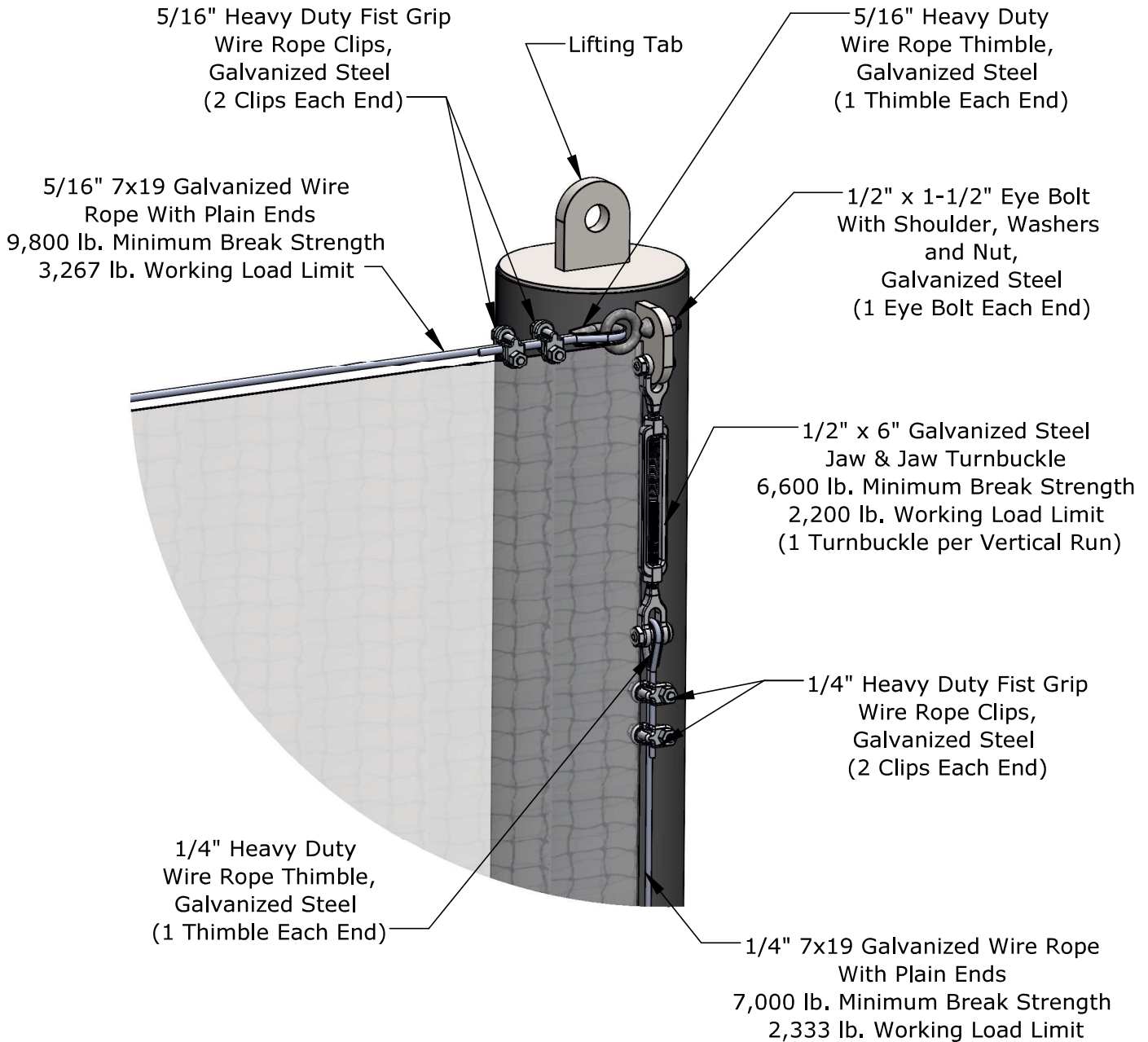
THE INFORMATION CONTAINED IN THIS DRAWING IS THE SOLE PROPERTY OF SPORTSFIELD SPECIALTIES INC. ANY REPRODUCTION IN PART OR AS A WHOLE WITHOUT THE WRITTEN PERMISSION OF SPORTSFIELD SPECIALTIES INC. IS PROHIBITED.

Pole to Pole Tension Netting System

Detail A1: Top Termination Pole Connections

Not To Scale

Sportsfield Specialties Inc 07072022



***Applicable to Both Backstop Systems and Integrated Wall Pad Backstop Systems**

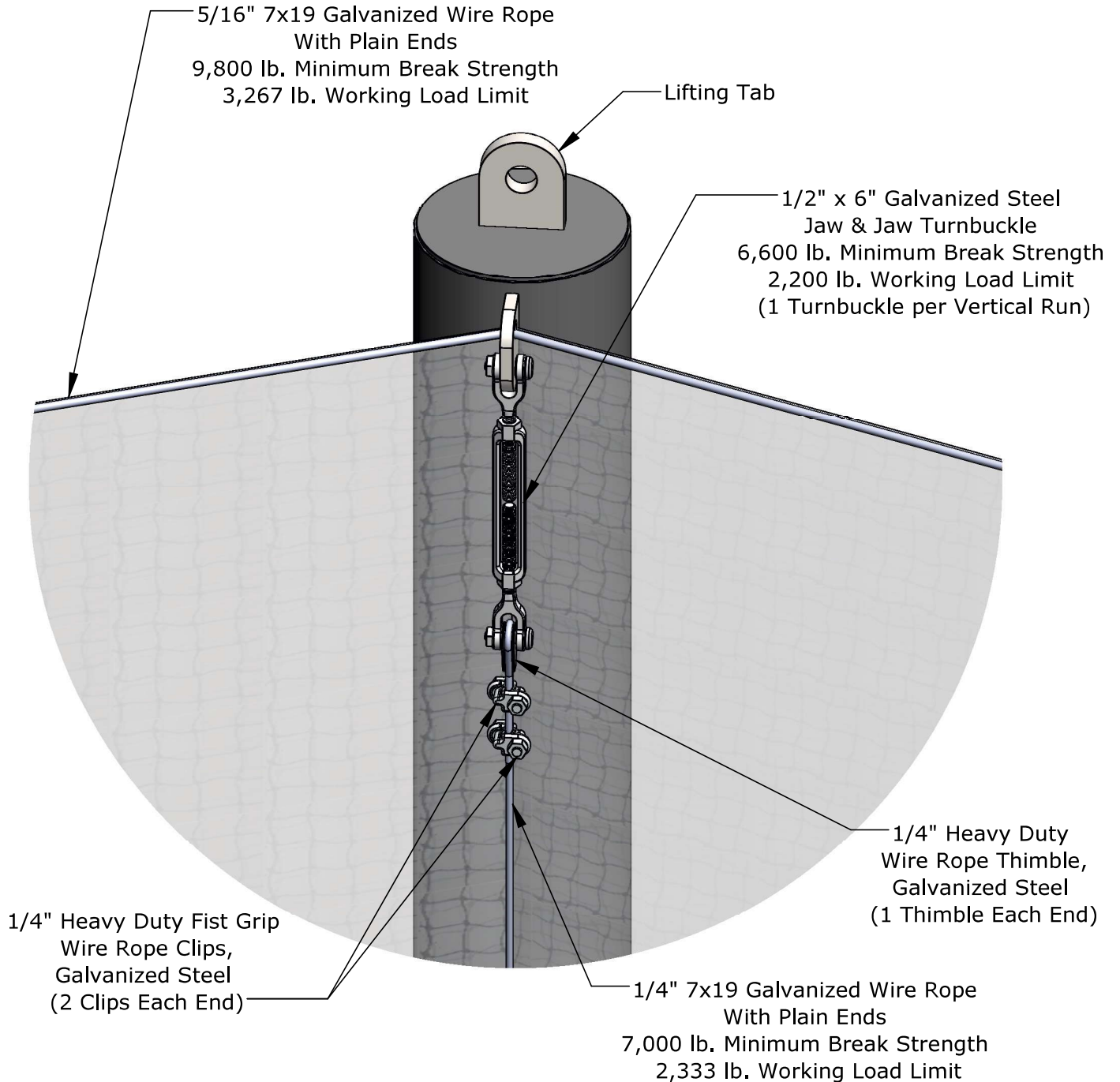
PROPRIETARY AND CONFIDENTIAL

THE INFORMATION CONTAINED IN THIS DRAWING IS THE SOLE PROPERTY OF SPORTSFIELD SPECIALTIES INC. ANY REPRODUCTION IN PART OR AS A WHOLE WITHOUT THE WRITTEN PERMISSION OF SPORTSFIELD SPECIALTIES INC. IS PROHIBITED.

**Pole to Pole Tension Netting System
Detail A2: Top Termination Pole Connections**

Not To Scale

Sportsfield Specialties Inc 07072022



***Applicable to Both Backstop Systems and Integrated Wall Pad Backstop Systems**

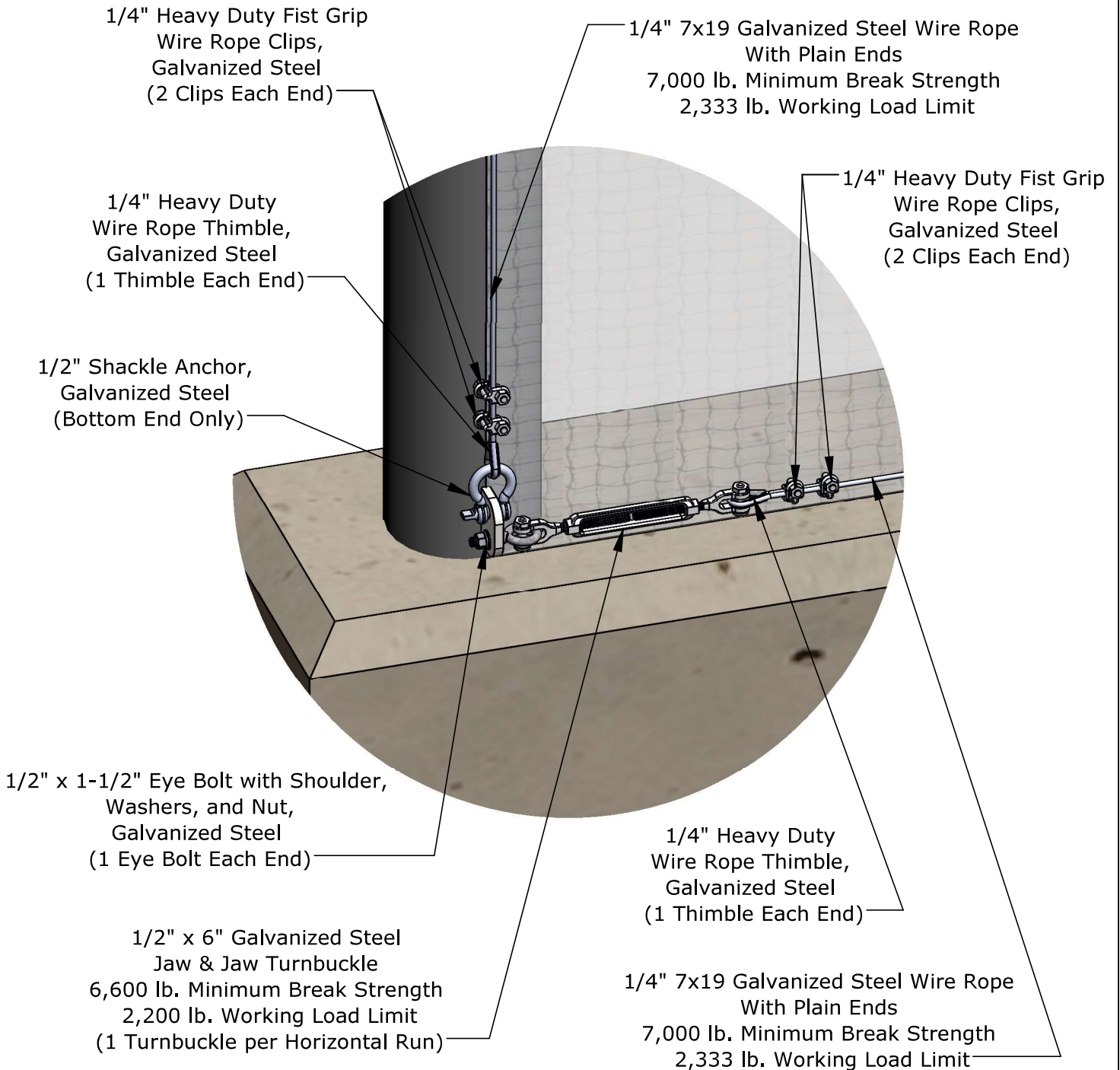
PROPRIETARY AND CONFIDENTIAL

THE INFORMATION CONTAINED IN THIS DRAWING IS THE SOLE PROPERTY OF SPORTSFIELD SPECIALTIES INC. ANY REPRODUCTION IN PART OR AS A WHOLE WITHOUT THE WRITTEN PERMISSION OF SPORTSFIELD SPECIALTIES INC. IS PROHIBITED.

Pole to Pole Tension Netting System Detail B: Top Intermediate Pole Connections

Not To Scale

Sportsfield Specialties Inc 07072022



***Applicable to Backstop Systems Only**

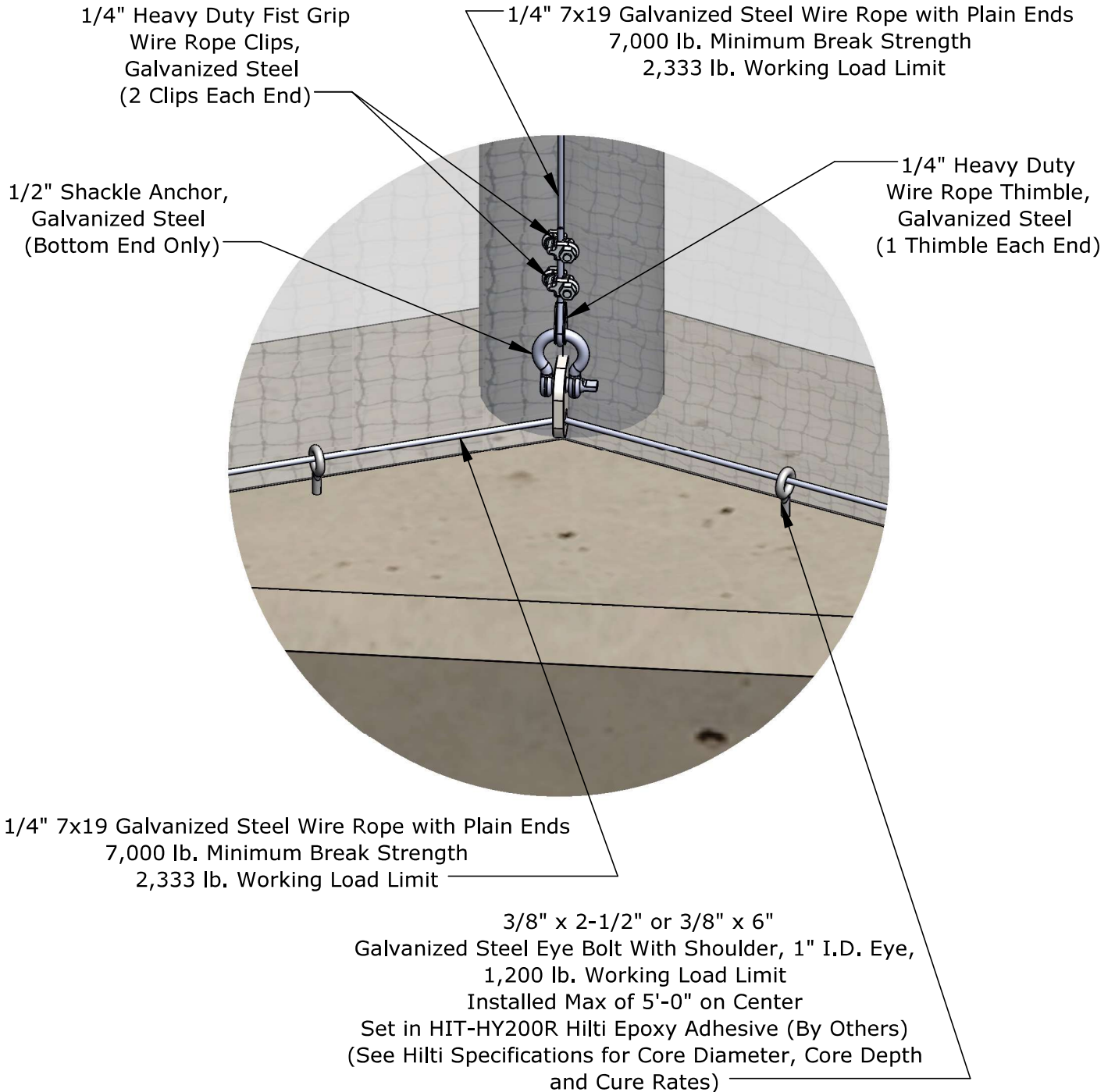
PROPRIETARY AND CONFIDENTIAL

THE INFORMATION CONTAINED IN THIS DRAWING IS THE SOLE PROPERTY OF SPORTSFIELD SPECIALTIES INC. ANY REPRODUCTION IN PART OR AS A WHOLE WITHOUT THE WRITTEN PERMISSION OF SPORTSFIELD SPECIALTIES INC. IS PROHIBITED.

**Pole to Pole Tension Netting System
Detail C: Bottom Termination Pole Connections**

Not To Scale

Sportsfield Specialties Inc 07072022



***Applicable to Backstop Systems Only**

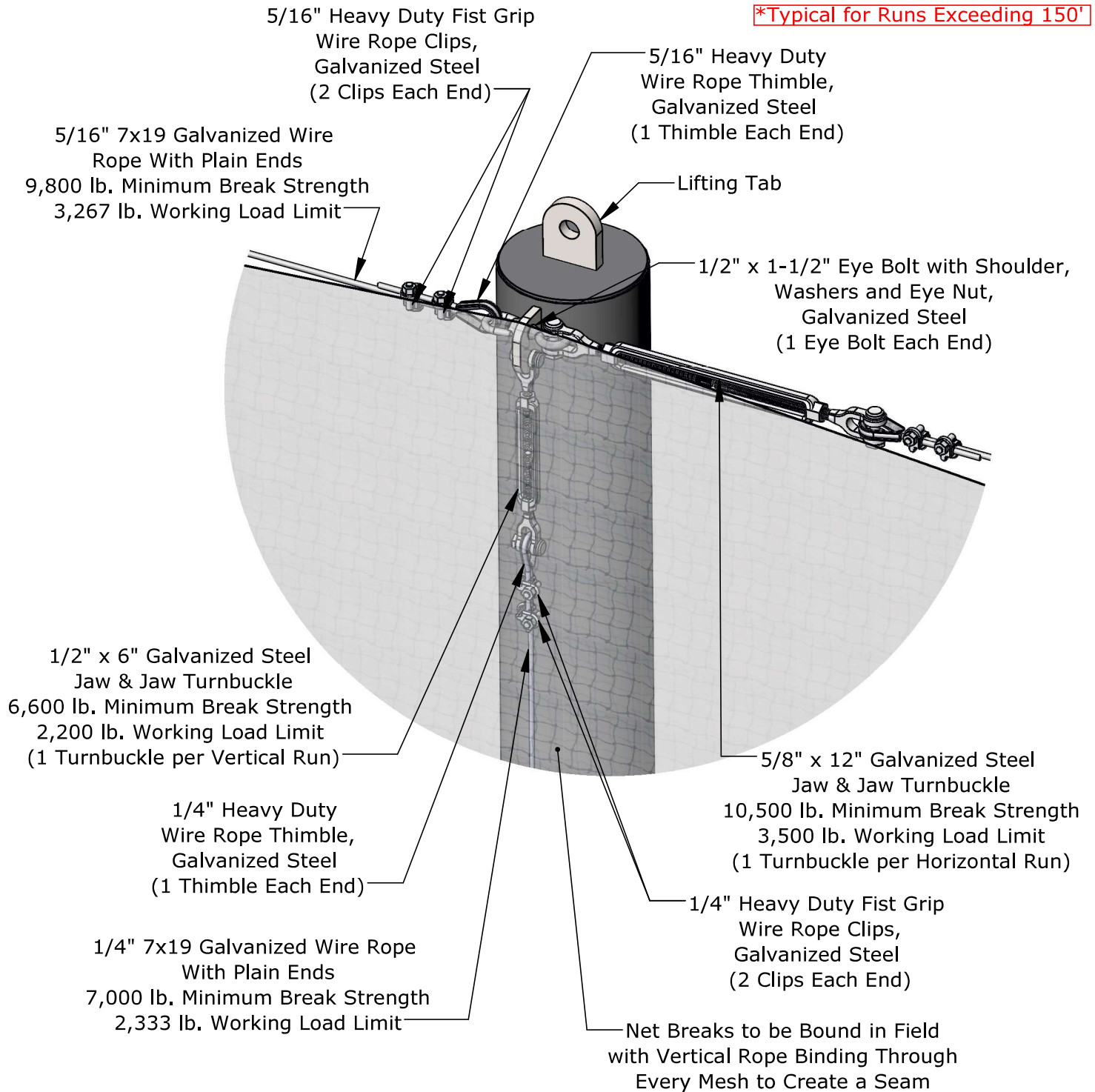
PROPRIETARY AND CONFIDENTIAL

THE INFORMATION CONTAINED IN THIS DRAWING IS THE SOLE PROPERTY OF SPORTSFIELD SPECIALTIES INC. ANY REPRODUCTION IN PART OR AS A WHOLE WITHOUT THE WRITTEN PERMISSION OF SPORTSFIELD SPECIALTIES INC. IS PROHIBITED.

Pole to Pole Tension Netting System Detail D: Bottom Intermediate Pole Connections

Not To Scale

Sportsfield Specialties Inc 11232021



***Applicable to Both Backstop Systems and Integrated Wall Pad Backstop Systems**

PROPRIETARY AND CONFIDENTIAL

THE INFORMATION CONTAINED IN THIS DRAWING IS THE SOLE PROPERTY OF SPORTSFIELD SPECIALTIES INC. ANY REPRODUCTION IN PART OR AS A WHOLE WITHOUT THE WRITTEN PERMISSION OF SPORTSFIELD SPECIALTIES INC. IS PROHIBITED.

Pole to Pole Tension Netting System Detail E: Top Intermediate Pole Connections*

Not To Scale

Sportsfield Specialties Inc 07072022