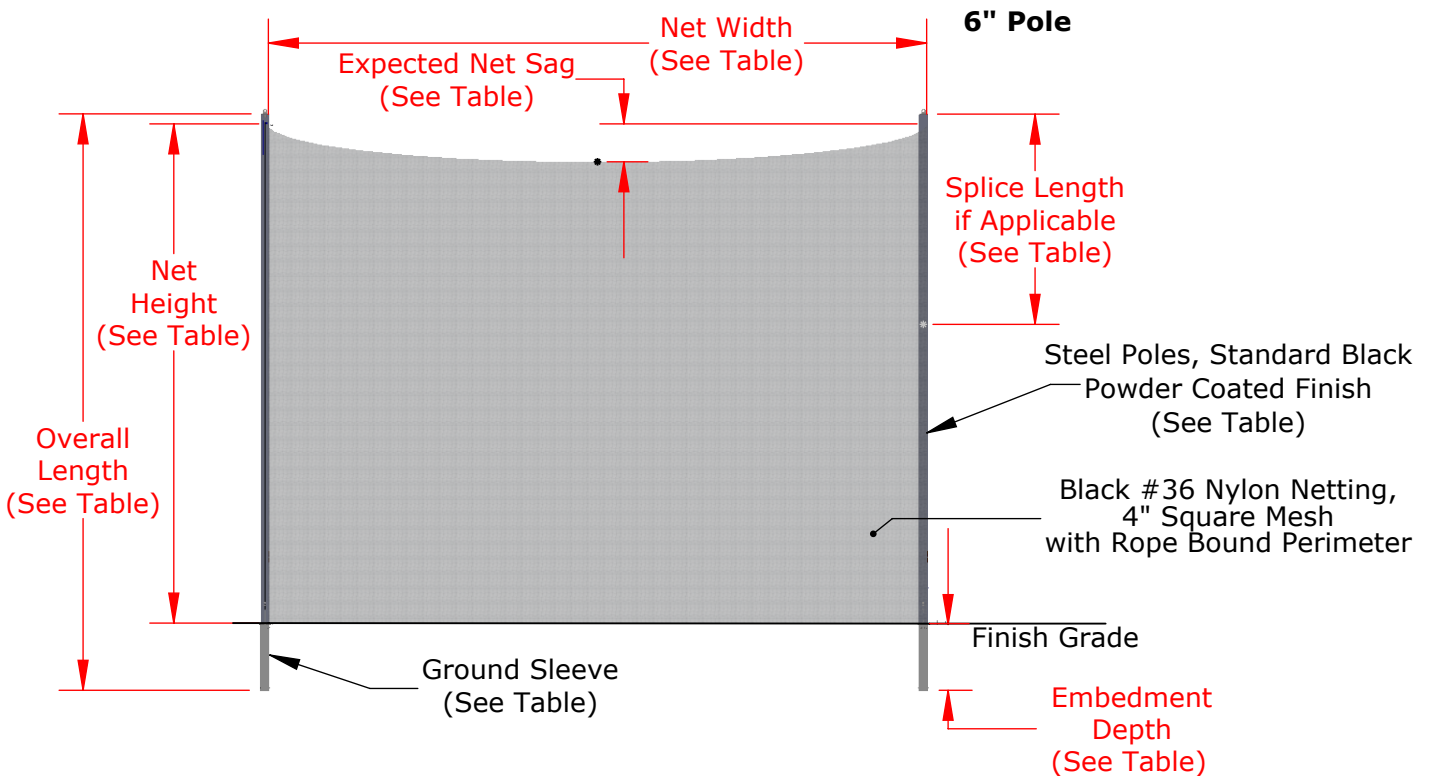
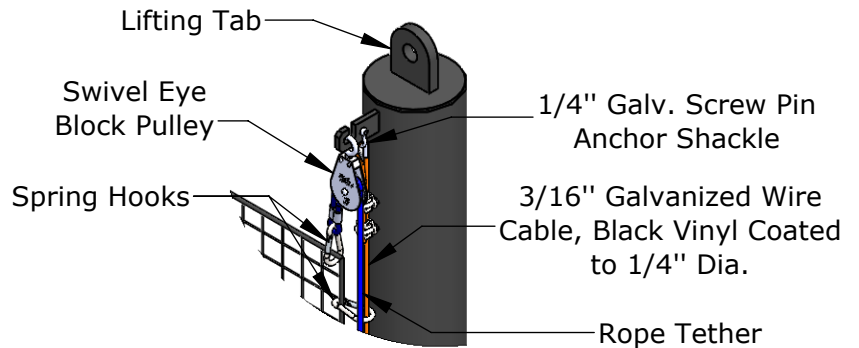


Foundation Requirements
Based on Local Codes and
Soil Conditions



Part No.	Net Height	Net Width	Overall Length	Embedment Depth	Ground Sleeve	Splice Length	Pole Material	Minimum Foundation Diameter	Expected Net Sag
FSNS63040	30'-0"	40'-0"	35'-0"	4'-0"	GS648	N/A	HSS 6.625 x 0.280	24"	2'-2"
FSNS64040	40'-0"	40'-0"	45'-0"	4'-0"	GS648	N/A	HSS 6.625 x 0.280	30"	2'-2"
FSNS64050	40'-0"	50'-0"	45'-0"	4'-0"	GS648	N/A	HSS 6.625 x 0.280	30"	3'-0"
FSNS64540	45'-0"	40'-0"	50'-0"	4'-0"	GS648	N/A	HSS 6.625 x 0.280	30"	2'-2"
FSNS64550	45'-0"	50'-0"	50'-0"	4'-0"	GS648	N/A	HSS 6.625 x 0.280	30"	3'-0"

The net must be lowered to the ground when the wind speed is forecast to exceed 60 mph and/or prior to any extreme wind events. Sportsfield Specialties, Inc. strongly recommends the removal of the net prior to exposure to winter weather, including snow and/or ice storms. Removal/Lowering of the net will mitigate any unforeseen damage to the poles, net and/or attachment hardware. Storing the net in a dry, pest free location will help extend the life of the net. Sportsfield Specialties, Inc. will not be held liable or assume responsibility for any damage to the net, poles and/or corresponding attachment hardware if the net is not removed/lowered prior to the above described wind and/or weather events.

PROPRIETARY AND CONFIDENTIAL

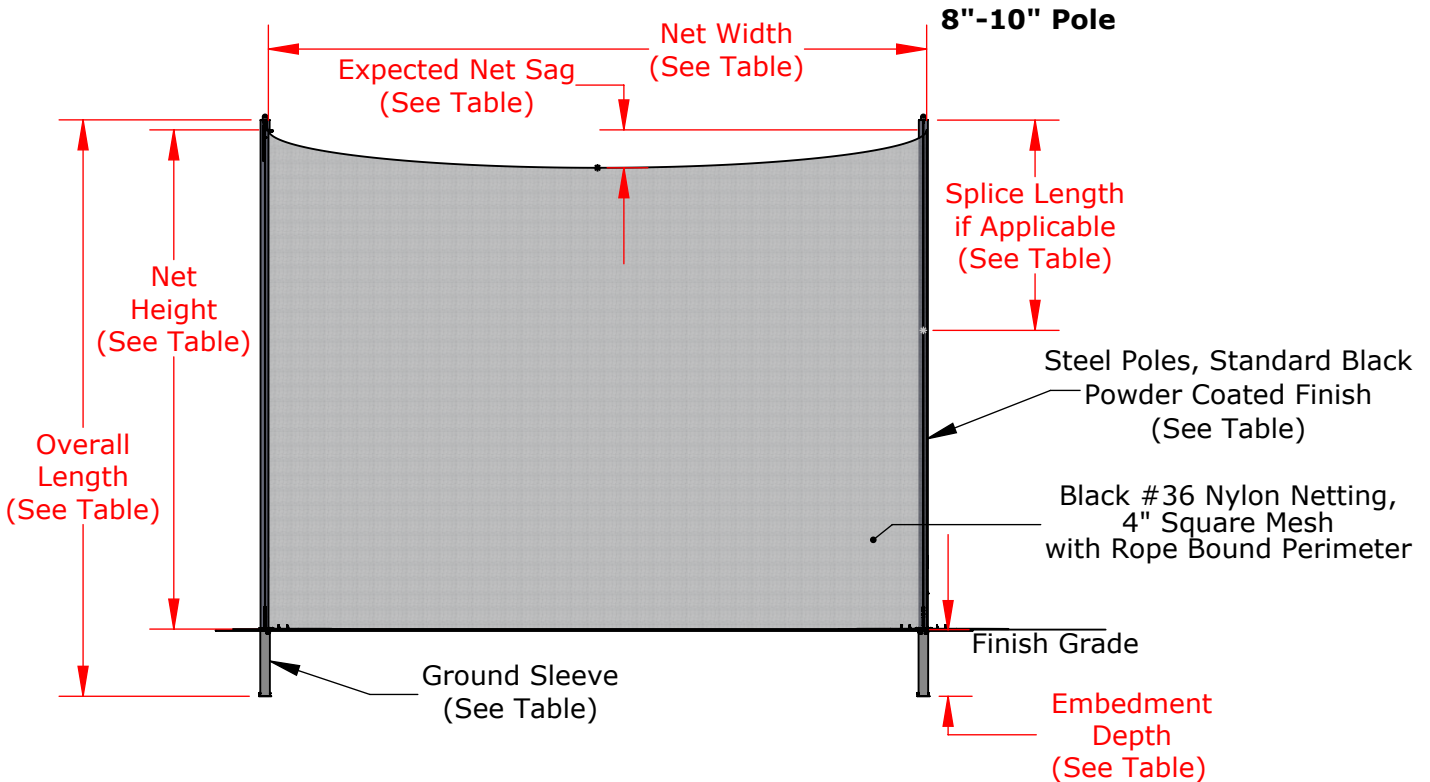
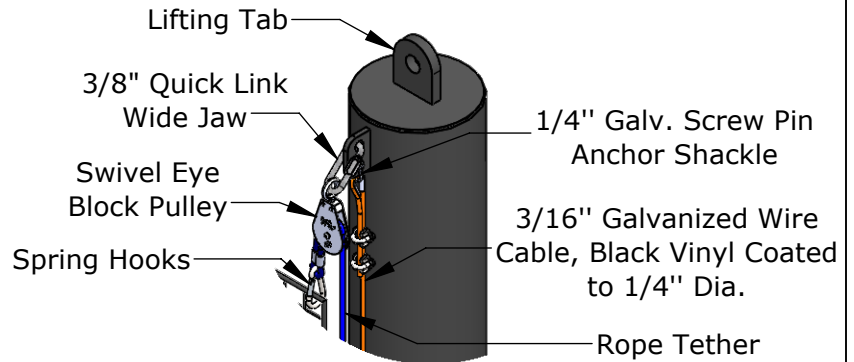
THE INFORMATION CONTAINED IN THIS DRAWING IS THE SOLE PROPERTY OF SPORTSFIELD SPECIALTIES INC. ANY REPRODUCTION IN PART OR AS A WHOLE WITHOUT THE WRITTEN PERMISSION OF SPORTSFIELD SPECIALTIES INC. IS PROHIBITED.

Football Safety Netting System

Not To Scale

Sportsfield Specialties Inc 06162025

Foundation Requirements
Based on Local Codes and
Soil Conditions



Part No.	Net Height	Net Width	Overall Length	Embedment Depth	Ground Sleeve	Splice Length	Pole Material	Minimum Foundation Diameter	Expected Net Sag
FSNS85040	50'-0"	40'-0"	56'-0"	5'-0"	GSH860	16'-0"	HSS 8.625 x 0.322	30"	2'-2"
FSNS85050	50'-0"	50'-0"	56'-0"	5'-0"	GSH860	16'-0"	HSS 8.625 x 0.322	36"	3'-0"
FSNS106040	60'-0"	40'-0"	66'-0"	5'-0"	GSH1060	16'-0"	HSS 10.75 x 0.365	30"	2'-2"
FSNS106050	60'-0"	50'-0"	66'-0"	5'-0"	GSH1060	16'-0"	HSS 10.75 x 0.365	36"	3'-0"
FSNS106060	60'-0"	60'-0"	66'-0"	5'-0"	GSH1060	16'-0"	HSS 10.75 x 0.365	36"	3'-6"

The net must be lowered to the ground when the wind speed is forecast to exceed 60 mph and/or prior to any extreme wind events. Sportsfield Specialties, Inc. strongly recommends the removal of the net prior to exposure to winter weather, including snow and/or ice storms. Removal/Lowering of the net will mitigate any unforeseen damage to the poles, net and/or attachment hardware. Storing the net in a dry, pest free location will help extend the life of the net. Sportsfield Specialties, Inc. will not be held liable or assume responsibility for any damage to the net, poles and/or corresponding attachment hardware if the net is not removed/lowered prior to the above described wind and/or weather events.

PROPRIETARY AND CONFIDENTIAL

THE INFORMATION CONTAINED IN THIS DRAWING IS THE SOLE PROPERTY OF SPORTSFIELD SPECIALTIES INC. ANY REPRODUCTION IN PART OR AS A WHOLE WITHOUT THE WRITTEN PERMISSION OF SPORTSFIELD SPECIALTIES INC. IS PROHIBITED.

Football Safety Netting System

Not To Scale

Sportsfield Specialties Inc 06162025