

Futsal Goal Installation Notes FG610RINT

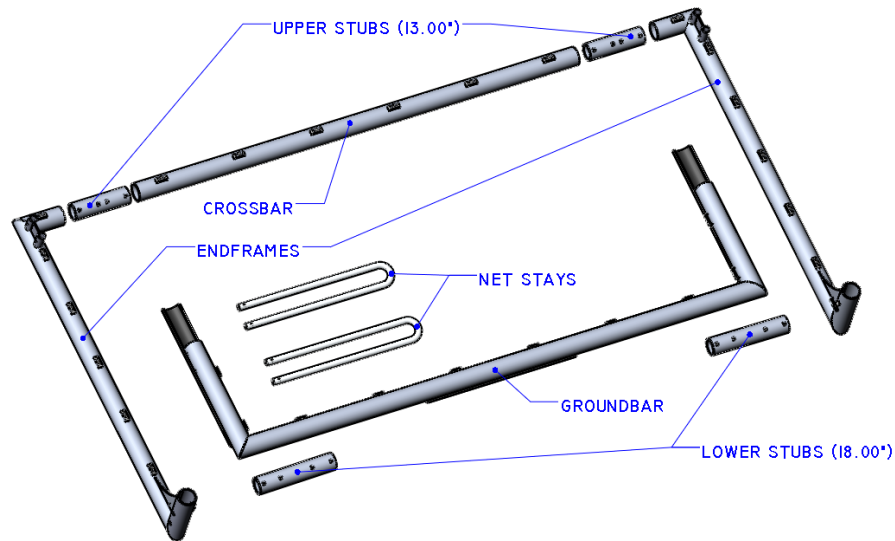


Figure 1

1. Begin by laying out all of the futsal goal components. Place the end frames far enough apart to fit the top crossbar between them with the net clips facing outwards. Place one upper stub at each connection. (Fig. 1).

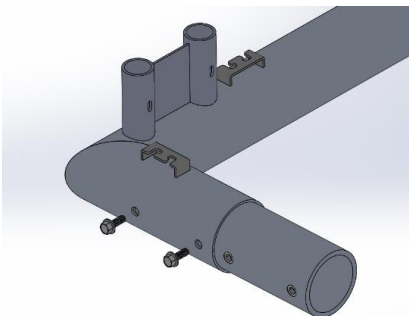


Figure 2A

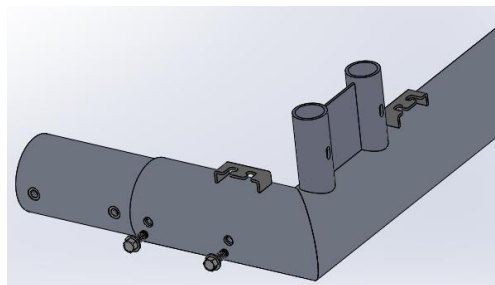


Figure 2B

2. Use (2) 3/8" – 16 x 1" serrated hex bolts to attach the upper stub to the inside of each end frame (Figs. 2A & 2B). **Note: Do not tighten hardware until all bolts are in place.** Repeat for opposite side.

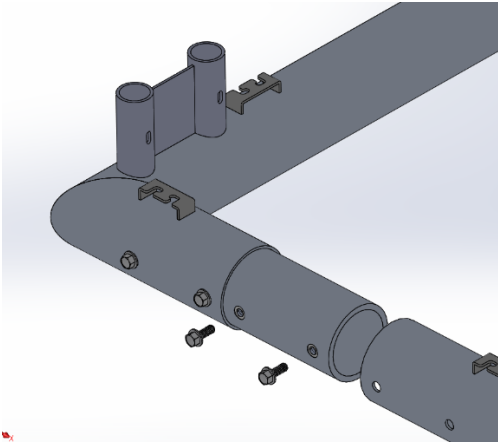


Figure 3A

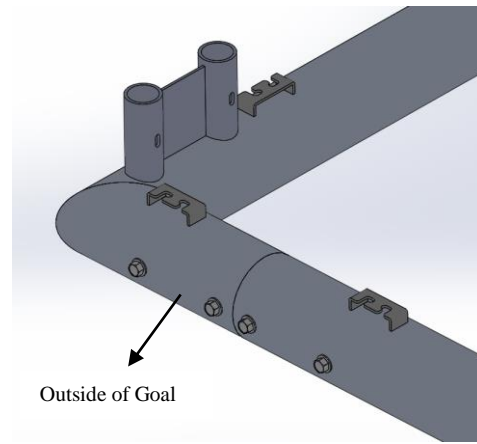


Figure 3B

3. Connect the end frames to the crossbar by sliding the crossbar over the channel (Fig. 3A), confirm all net clips are facing toward the outside of the goal. Use (2) 3/8" – 16 x 1" serrated hex bolts to attach the crossbar to each end frame (Fig. 3B). Tighten all hardware. Repeat for opposite side.

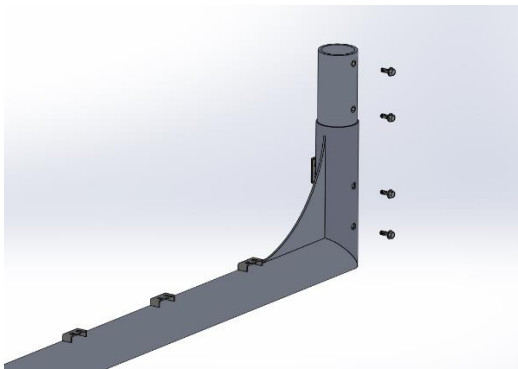


Figure 4A

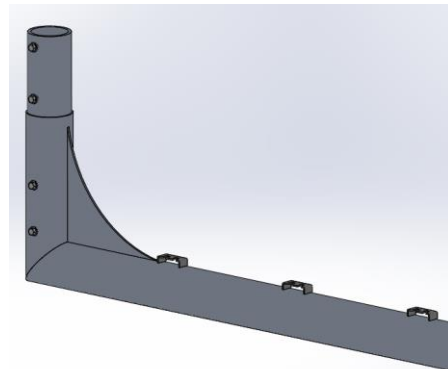


Figure 4B

4. With the goal remaining face down, connect the lower stubs to the inside of each end frame using (2) 3/8"-16x1" serrated hex bolts per side (Figs. 4A & 4B). **Note: Do not tighten hardware until all bolts are in place.** Repeat for opposite side.

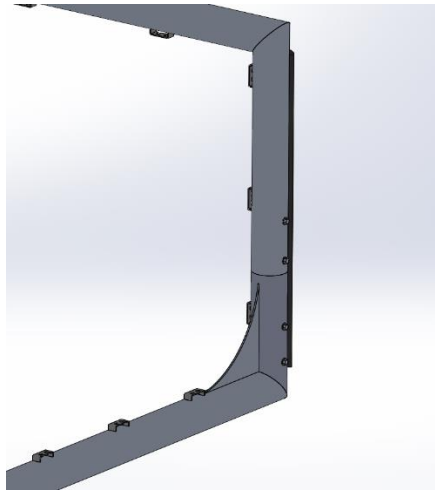


Figure 5A

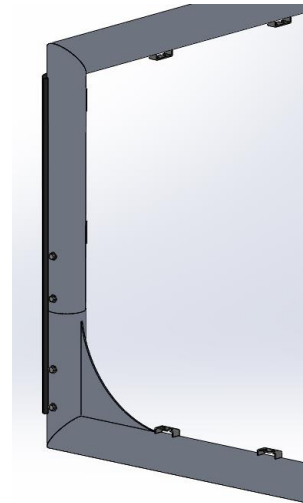


Figure 5B

5. With the goal in the same position, slide the ground bar over the lower stubs on both sides. Attach the ground bar to those stubs using (2) 3/8"-16x1" serrated hex bolts per side (Figs. 5A & 5B). **Note: Do not tighten hardware until all bolts are in place.** Repeat for opposite side.

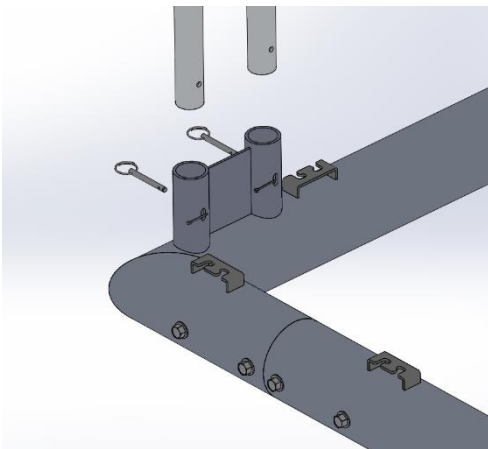


Figure 6

6. Attach the net stays by placing them in the net stay holders located on the two end frames. Fasten with (2) pins and secure with (2) cotter pins per side (Fig. 6).

7. Before attaching the net, carefully flip the goal into the proper position by lifting up on both ends of the crossbar (Fig. 7).

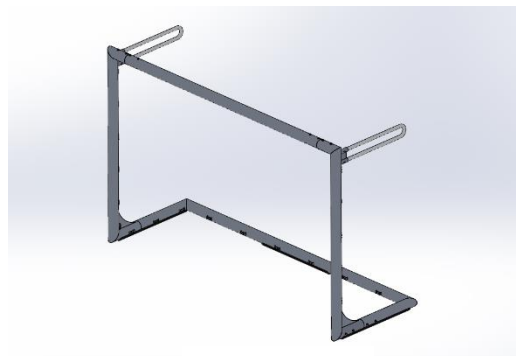


Figure 7

8. With the goal now fully assembled, place the net flat on the ground and locate the corners of the net. Locate the centerline of the bound edge that will be attached to the crossbar. The centerline of the binding will be attached to the centerline clip of the crossbar. Lay the goal down on its face and attach the net by first pushing the outer binding through the clip, then securing in the groove (Fig. 8). Start in the middle of the crossbar and move outward, attaching every other clip, and then go back through and attach the remaining clips. Once clipped, apply weight to the clipped net to stretch material. Next, work down both uprights, ensuring that the net is on the outside of the End Frame. Follow the same procedure used for the crossbar. Finish by attaching the net to the Ground Bar in the same manner.

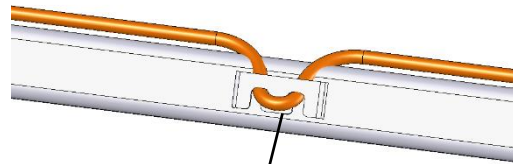


Figure 8

Outside of Goal

- Standard Installation Complete -

SEE NEXT PAGE FOR VALUABLE SAFETY TIPS RELATED TO PORTABLE FUTSAL GOALS

Futsal Goal Safety Tips

- * Securely anchor, with pins and/or counterweights, movable futsal goals at ALL times.
- * Anchor or chain goals together, to themselves in a folded down position, or to a nearby fence post, dugout, or any other sturdy structure when not in use. If this is not practical, store movable futsal goals in a place where children will not have access to them.
- * Remove nets when goals are not in use.
- * Verify structural integrity and check for secure connecting hardware before every use. Replace damaged or missing parts and/or fasteners immediately.
- * NEVER allow anyone to climb on the net or goal framework.
- * Ensure safety/warning labels are clearly visible (placed under the crossbar and on the sides of the front-posts at eye level).
- * Fully disassemble goals for seasonal storage.
- * Exercise extreme caution and provide adequate manpower when moving goals. Only authorized and properly trained personnel should move soccer goals.
- * Always instruct players regarding the safe handling of and the potential dangers associated with movable soccer goals.
- * Movable futsal goals should only be used on LEVEL (flat) fields.

REPLACEMENT PARTS

Contact Sportsfield Specialties Customer Service at 1-888-975-3343 for replacement hardware.



Sportsfield Specialties, Inc.
P.O. Box 231
41155 State Highway 10
Delhi, N.Y. 13753
Phone: 888-975-3343
Fax: 607-746-8911
www.sportsfieldspecialties.com