



Excellence from Design to Installation

1-888-975-3343

Install Instructions

Plate Mount Rugby Goal Posts

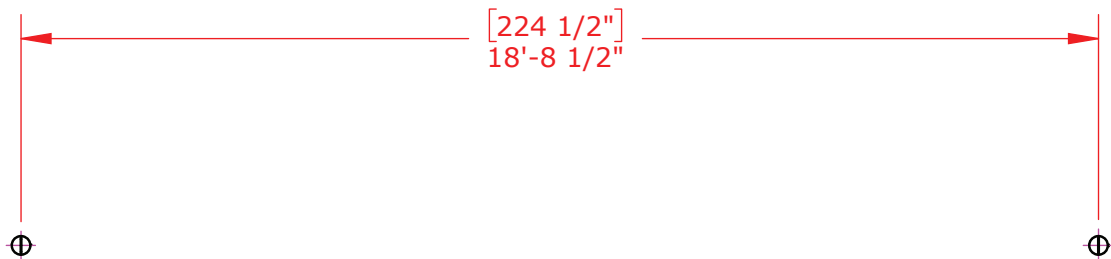
Product No.	Product Description
RG32PL	Rugby Goal, 32'H Upright, Powder Coated White
RG44PL	Rugby Goal, 44'H Upright, Powder Coated White

Rugby Goal Field Placement.....	ID-00132
Base Plate Mounting Kit.....	ID-00137
Plate Mount Rugby Goal Elevation.....	ID-00135
Rugby Goal Post Access Frame.....	ID-00144
Upright Splice Connection.....	ID-00136
Plate Mount Upright Installation.....	ID-00138
Rugby Goal Assembly.....	ID-00134

Check project specific drawings to determine field locations.

Step 1

Locate center of the each upright pole in the field.



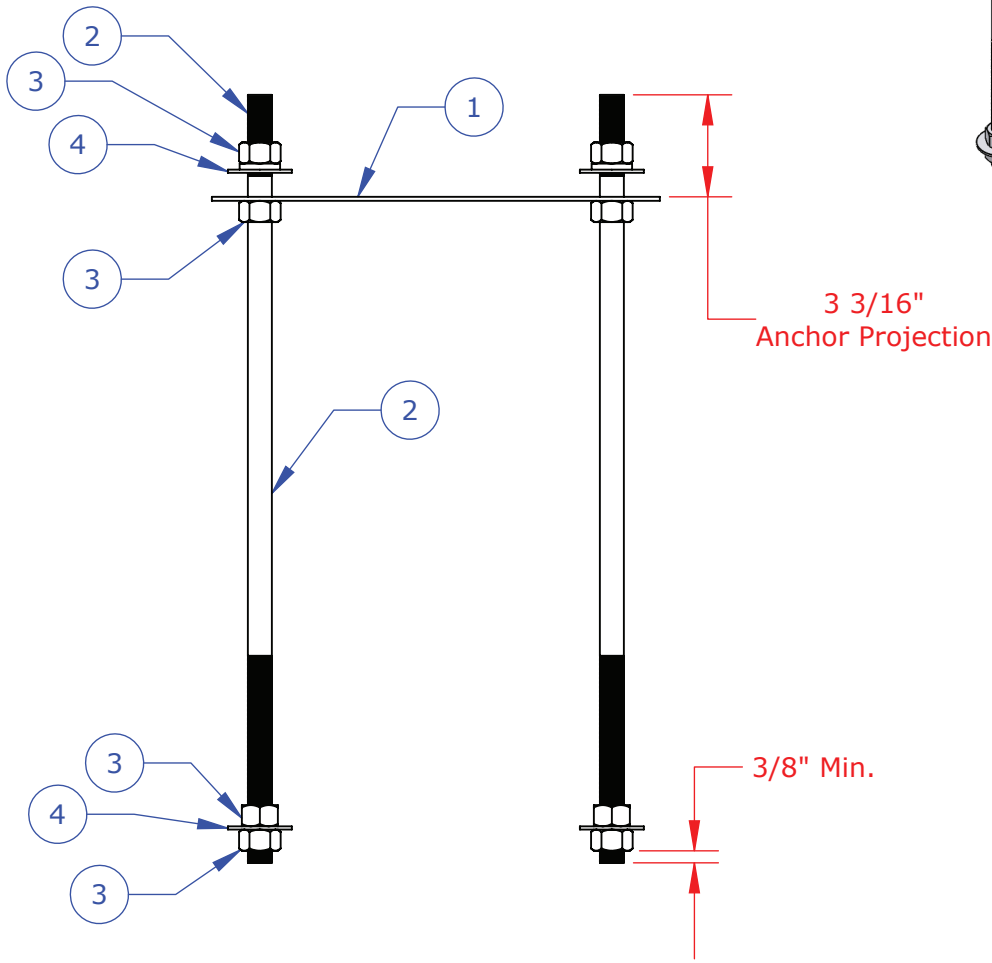
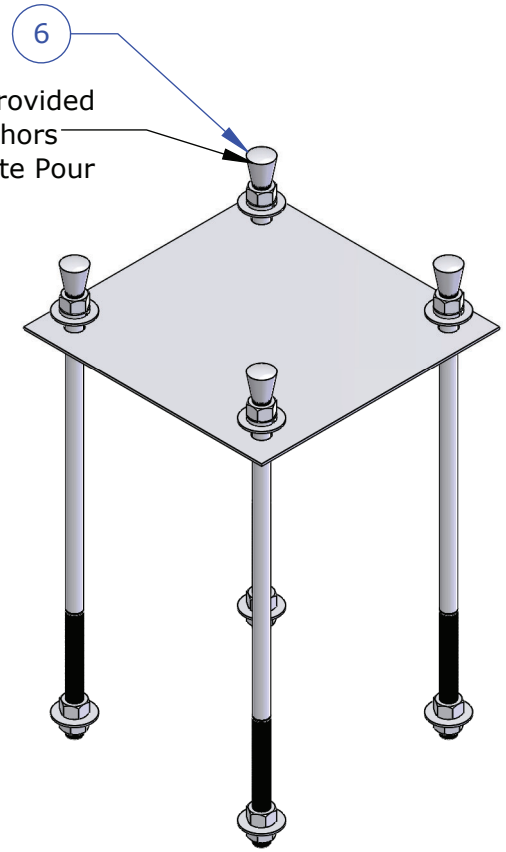
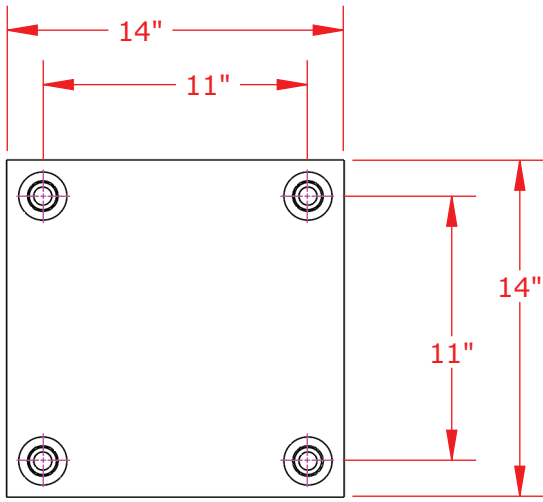
TITLE:

Rugby Goal Field
Placement

DWG NO:

ID-00132

SHEET 1 OF 1

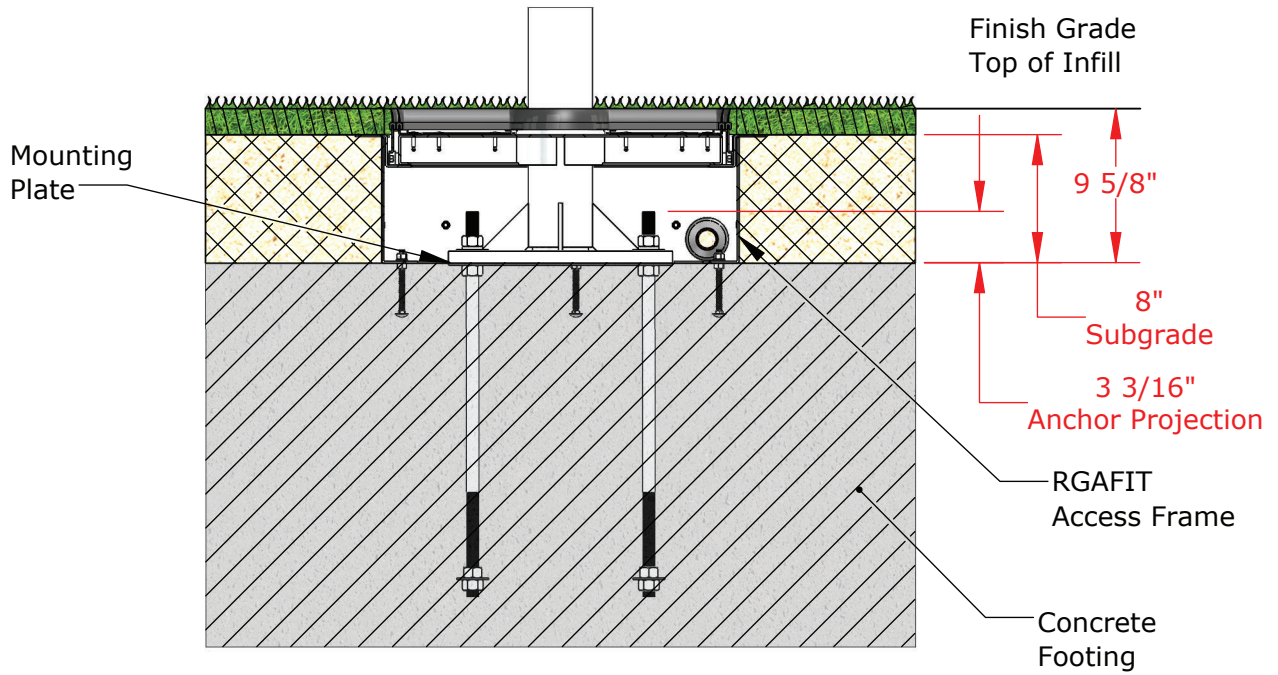


ITEM NO.	QTY.	SAP Part Number	DESCRIPTION
1	1		1/8" Aluminum Ground Plate
2	4	PURCHP-0680	3/4-10X24" ANCHOR BOLT, Galvanized
3	16	108-HXN-0003	3/4-10 Galvanized Hex Nut
4	8	111-FLW-0003	3/4 Galv. FLAT WASHER
5	4	111-SLW-0003	3/4-10 Galvanized Lock Washer
6	4	PURCHP-0282	CAP, THREAD PLASTIC

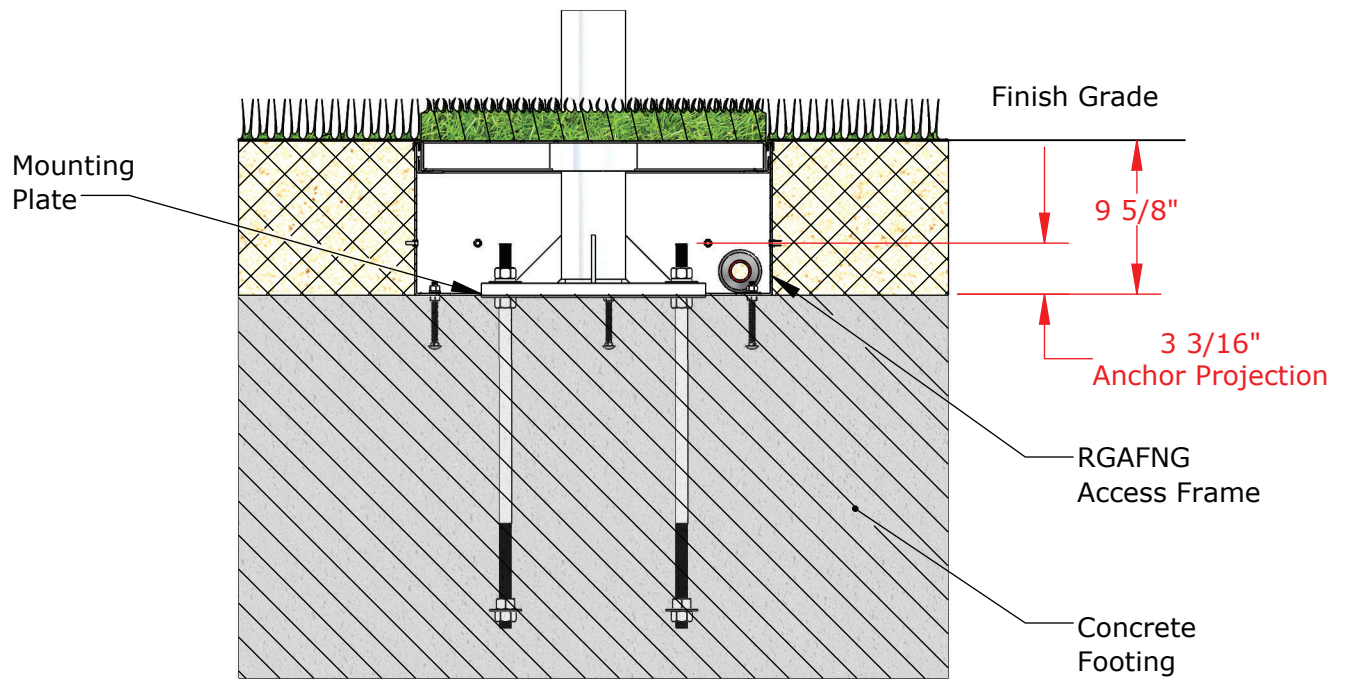
TITLE: **Base Plate Mounting Kit**

DWG NO: **ID-00137**

SHEET 1 OF 1



Synthetic Infill Turf Application



Natural Grass Application

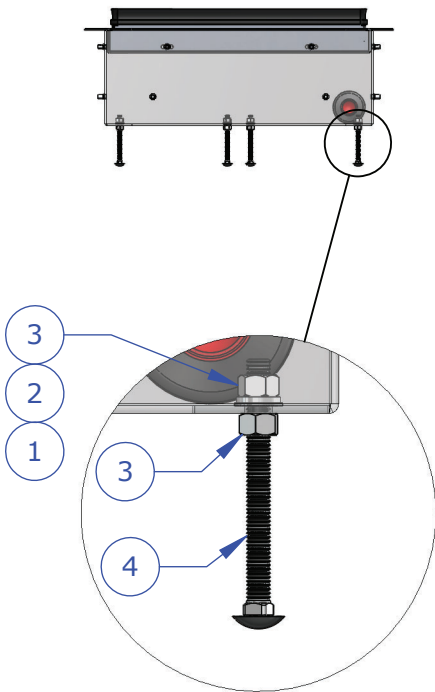
TITLE: Plate Mount Rugby Goal
Elevation

DWG NO:

ID-00135

SHEET 1 OF 1

Access Frame Installation



Step 1

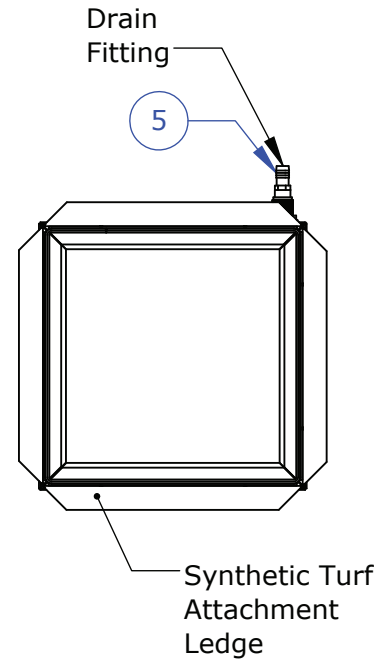
Pre-install the four (4) carriage bolts (Item #4) into the bottom flange of the access frame box with the heads down for anchoring into concrete.

Step 2

The box should be installed parallel to the goal line. The drain fitting (Item #5) should face toward the nearest drainage system. If applicable, attach a 1" drain line to the end and connect it to the subsurface drainage system (designed and installed by others).

Step 3

Center the access frame around the ground sleeve or base plate and install by pushing the anchor bolts down into the wet concrete. The bottom face of the flange should be flush with the concrete surface. (See associated rugby goal elevation detail drawings).



Step 4

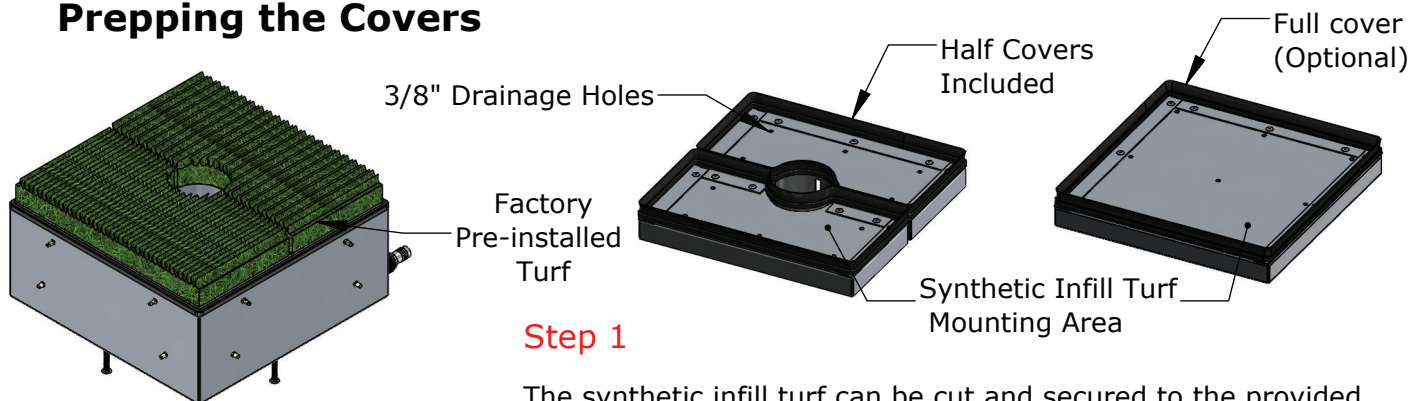
The synthetic infill turf can be cut and secured to the provided infill turf attachment ledge. Synthetic turf and attachment method provided by others.

Step 5

Allow concrete to cure before installing rugby goal post.

ITEM NO.	QTY.	SAP Part Number	DESCRIPTION
1	4	110-FLW-0005	3/8 S.S. FLAT WASHER
2	4	110-SLW-0006	3/8-16 S. S. Lock Washer
3	8	107-HXN-0020	3/8-16 STAINLESS STEEL HEX NUT
4	4	101-CAB-0004	3/8-16 x 4.00" L, Carriage Bolt, SS
5	1	PURCHP-0158	Adapter, Male

Prepping the Covers



Step 1

The synthetic infill turf can be cut and secured to the provided covers. Synthetic turf and attachment method provided by others.

RGAFNG/RGAFNGH
Natural Grass Application

TITLE:

Rugby Goal Post
Access Frame

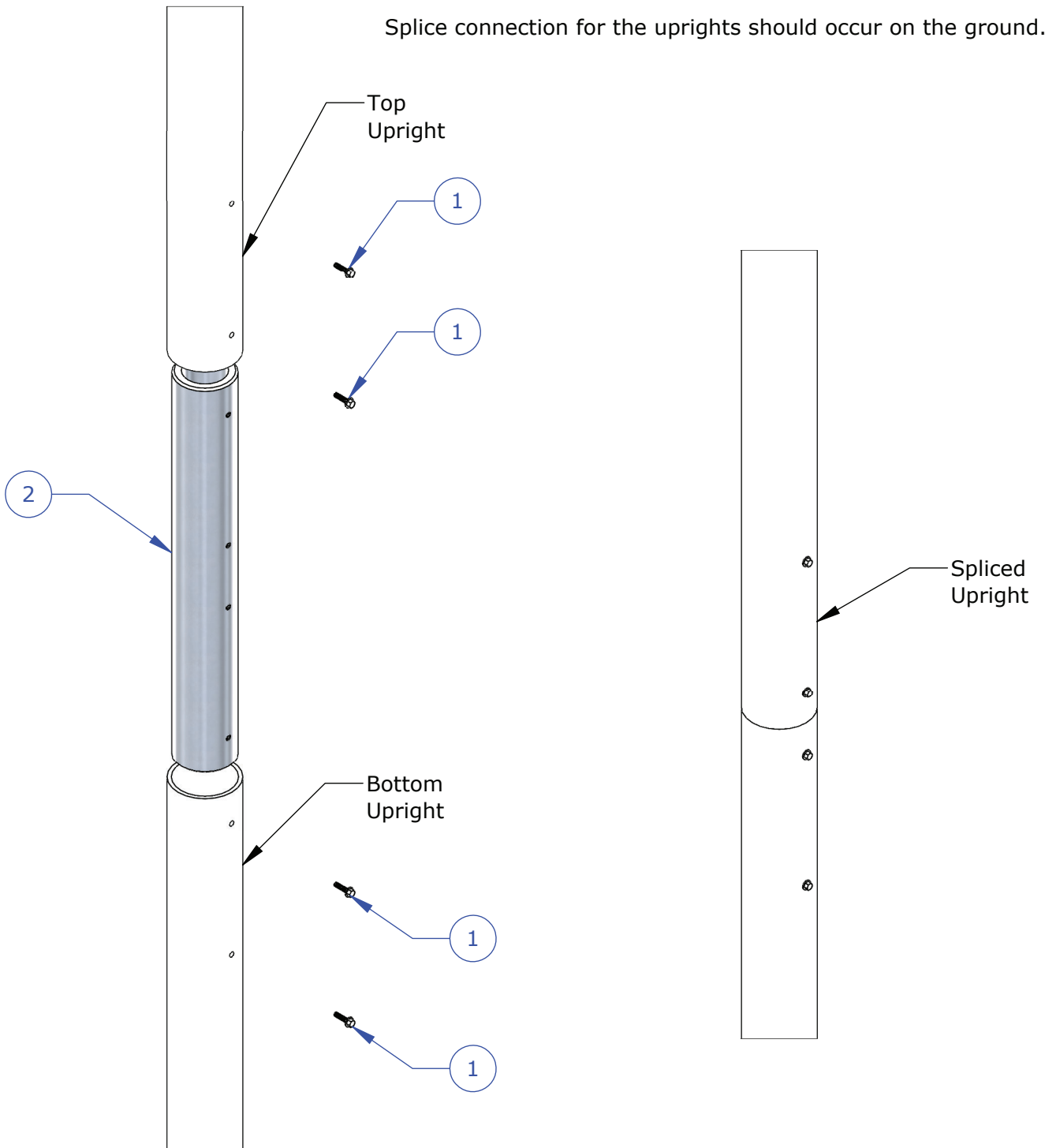
DWG NO:

ID-00144

SHEET 1 OF 1

NOTE: Applicable to 44'H Rugby Goals only.

Splice connection for the uprights should occur on the ground.



ITEM NO.	QTY.	SAP Part Number	DESCRIPTION
1	8	100-HWH-0001	1/4-20 x 1" Hex Washer Head with serrated flange, Grade 5, Fully Threaded
2	2	Undefined	Rugby Goal Splice Tube

TITLE: **Upright Splice Connection**

DWG NO: **ID-00136**

SHEET 1 OF 1

Step 1

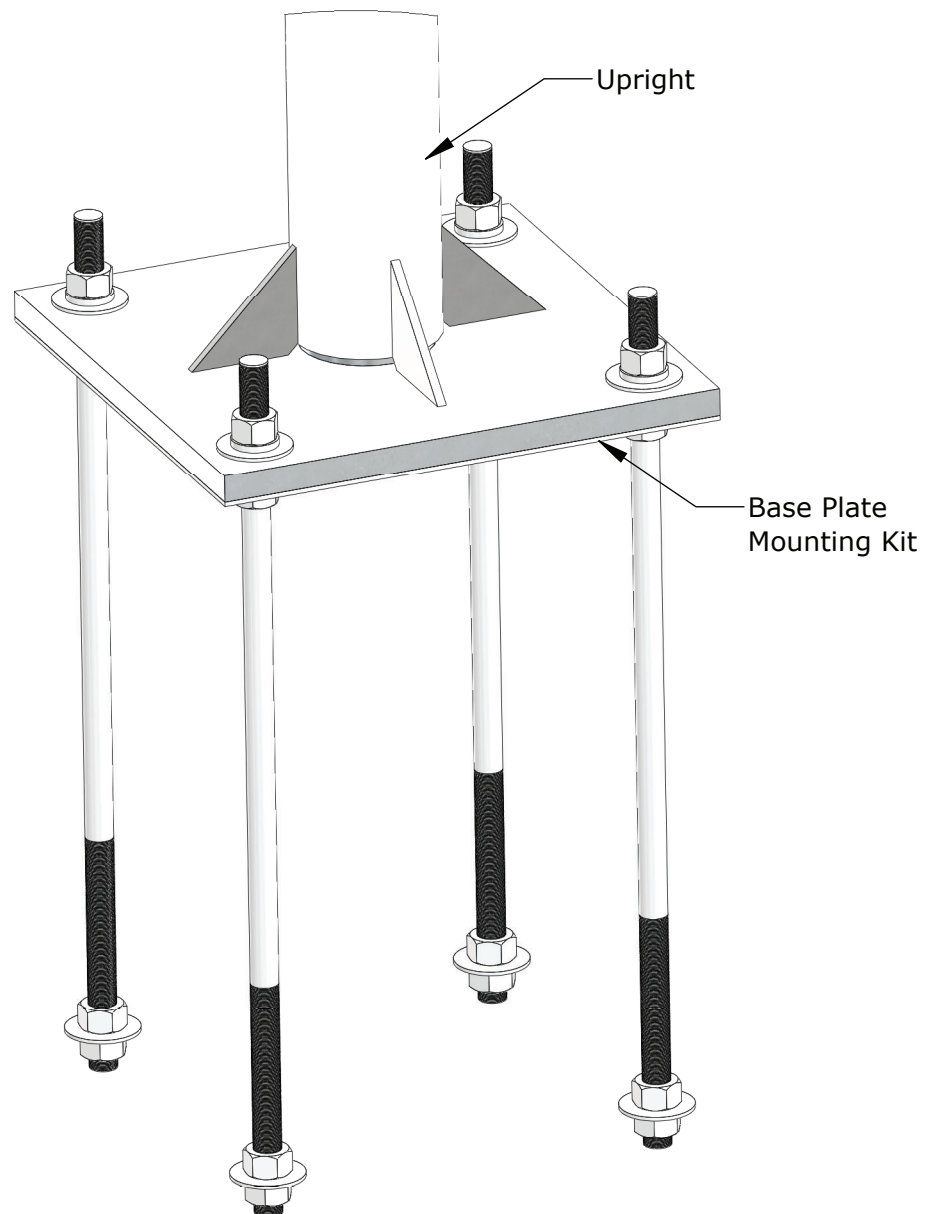
Remove base plate mounting kit hardware (reference ID-00137).

Step 2

Install upright onto the base plate mounting kit.

Step 3

Re-install base plate mounting kit hardware and tighten.



TITLE:

Plate Mount Upright
Installation

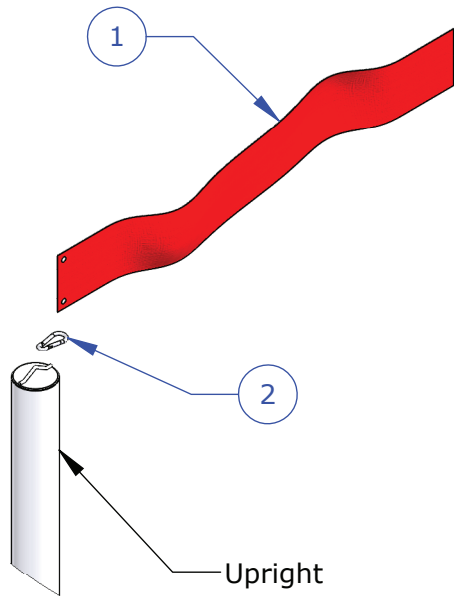
DWG NO:

ID-00138

SHEET 1 OF 1

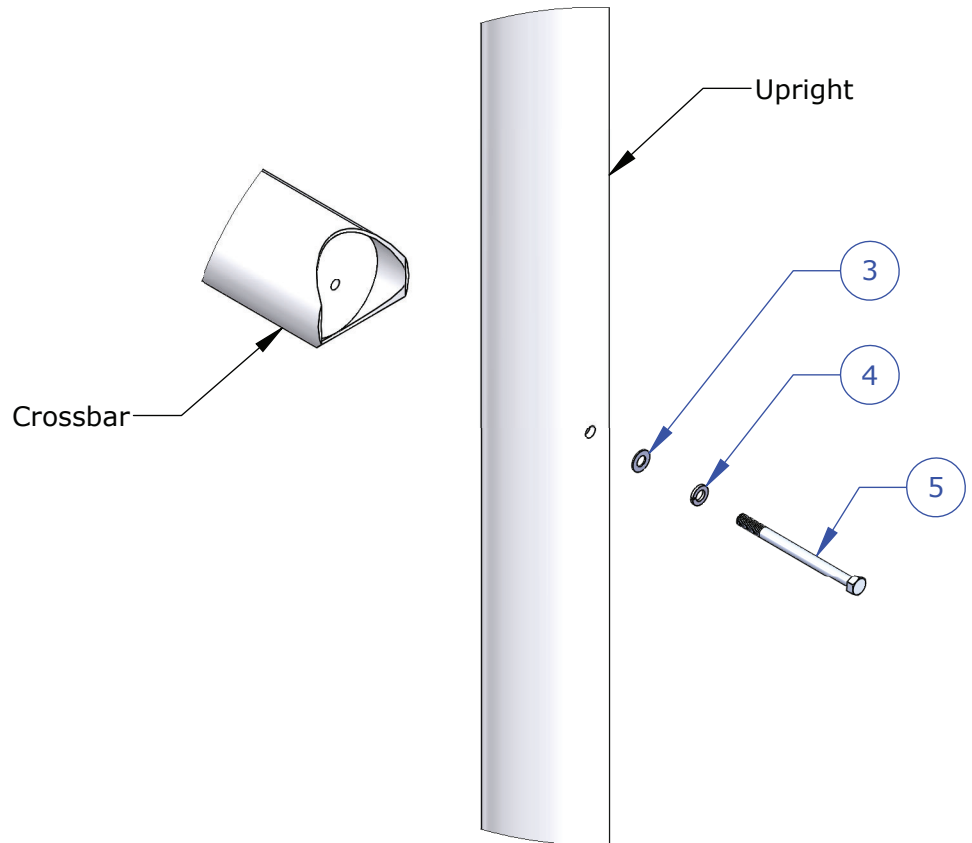
Step 1

Install the directional flags onto the upright poles using the spring hooks.



Step 2

Install upright poles with holes running parallel with the end line such that they will align with the crossbar.



Step 3

With 2 or more people, install the crossbar between the uprights, making sure the crossbar is aligned with both uprights before tightening all hardware.

ITEM NO.	QTY.	SAP Part Number	DESCRIPTION
1	2	GPDSTRGPT	Directional Flag
2	2	PURCHP-0097	3/16" Spring Hook-No Eye 304 SS
3	2	110-FLW-0005	3/8 S.S. FLAT WASHER
4	2	110-SLW-0006	3/8-16 S. S. Lock Washer
5	2	101-HHC-0040	3/8-16 x 5.00" Hex Head Bolt, 304 SS

TITLE:

Rugby Goal Assembly

DWG NO:

ID-00134

SHEET 1 OF 1