



1-888-975-3343

Install Instructions Hinged Rugby Goal Posts

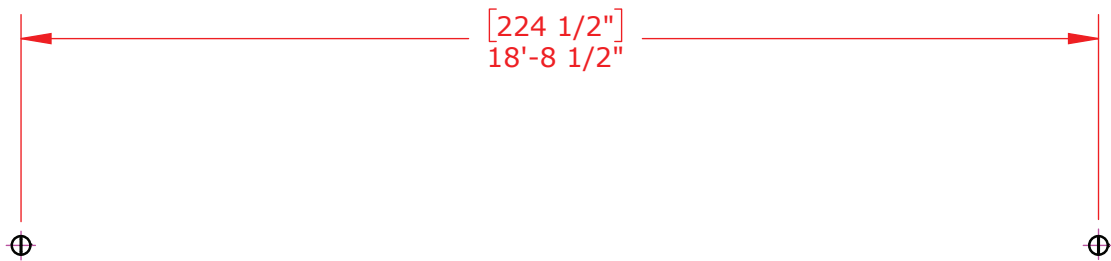
Product No.	Product Description
RG32H	Rugby Goal, 32'H Upright, Powder Coated White
RG44H	Rugby Goal, 44'H Upright, Powder Coated White

Rugby Goal Field Placement.....	ID-00132
Hinged Base Plate Mounting Kit.....	ID-00140
Hinged Rugby Goal Elevation.....	ID-00139
Rugby Goal Post Access Frame.....	ID-00144
Upright Splice Connection.....	ID-00136
Hinged Rugby Goal Post Upright Installation.....	ID-00141
Rugby Goal Assembly.....	ID-00134
Hinged Rugby Goal Post Operation.....	ID-00143

Check project specific drawings to determine field locations.

Step 1

Locate center of the each upright pole in the field.



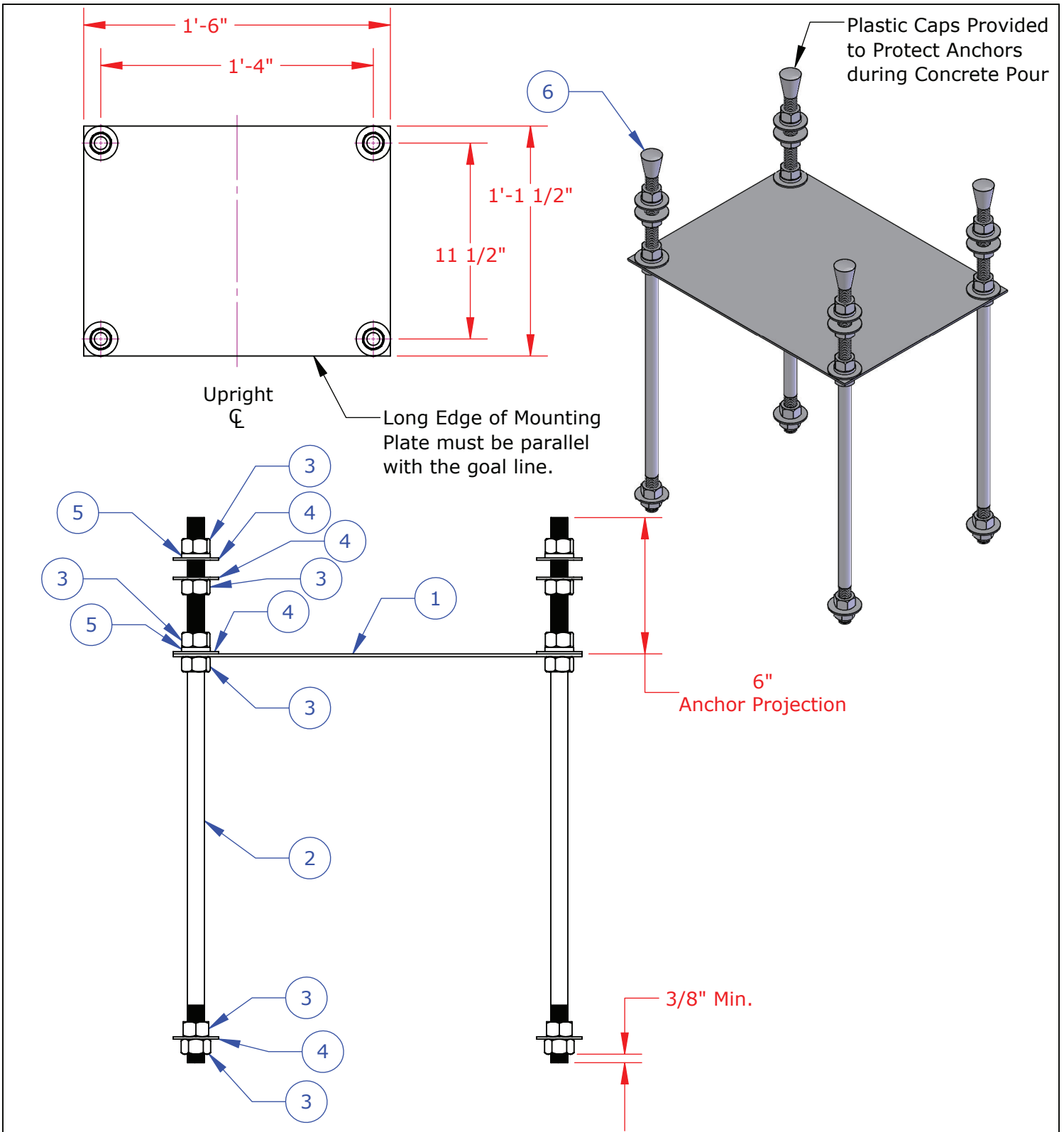
TITLE:

Rugby Goal Field
Placement

DWG NO:

ID-00132

SHEET 1 OF 1

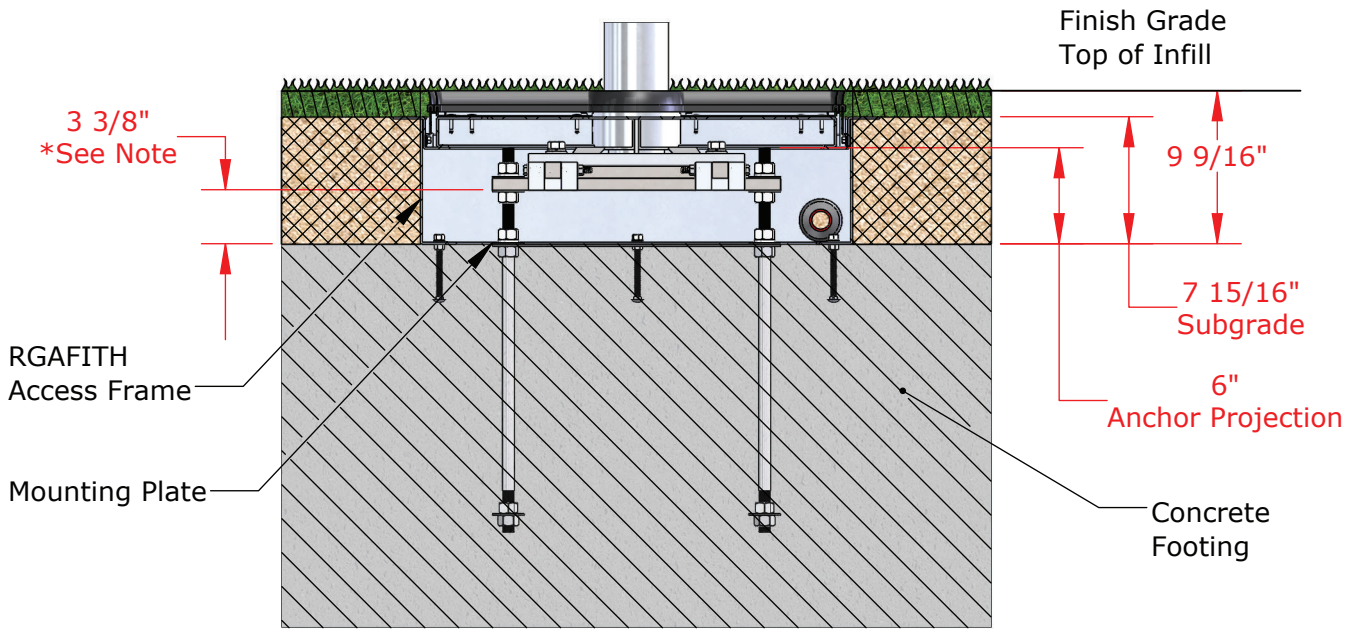


ITEM NO.	QTY.	SAP Part Number	DESCRIPTION
1	1	Undefined	1/8" Ground Plate
2	4	PURCHP-0680	3/4-10X24" ANCHOR BOLT, Galvanized
3	24	108-HXN-0003	3/4-10 Galvanized Hex Nut
4	16	111-FLW-0003	3/4 Galv. FLAT WASHER
5	8	111-SLW-0003	3/4-10 Galvanized Lock Washer
6	4	PURCHP-0282	CAP, THREAD PLASTIC

TITLE: **Hinged Base Plate Mounting Kit**

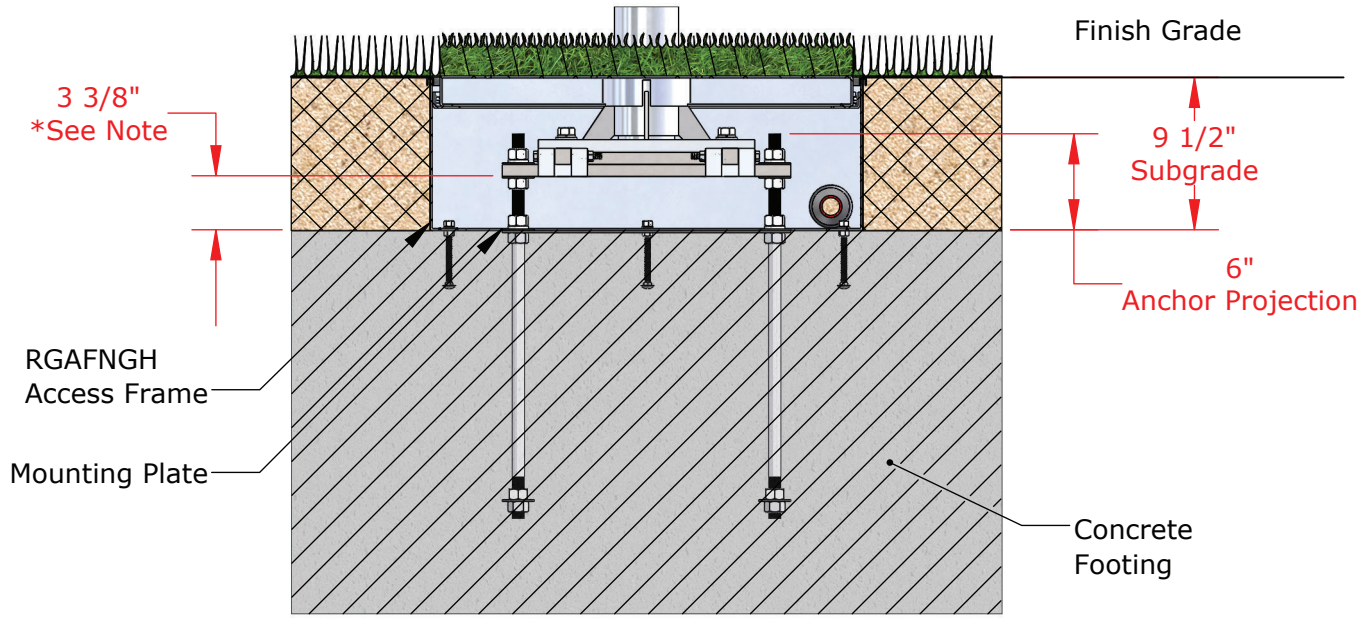
DWG NO: **ID-00140**

SHEET 1 OF 1



Synthetic Infill Turf Application

Note * Approximate Void Space Between Plates is Typical and Meets all Structural Engineering Requirements



Natural Grass Application

TITLE:	Hinged Rugby Goal Elevation	DWG NO:	ID-00139
		SHEET 1 OF 1	

Access Frame Installation

Step 1

Pre-install the four (4) carriage bolts (Item #4) into the bottom flange of the access frame box with the heads down for anchoring into concrete.

Step 2

The box should be installed parallel to the goal line. The drain fitting (Item #5) should face toward the nearest drainage system. If applicable, attach a 1" drain line to the end and connect it to the subsurface drainage system (designed and installed by others).

Step 3

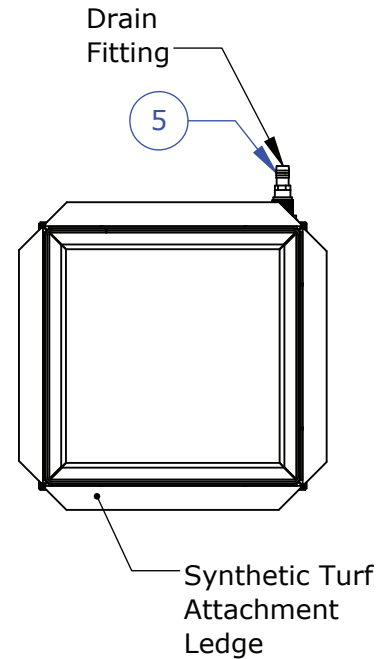
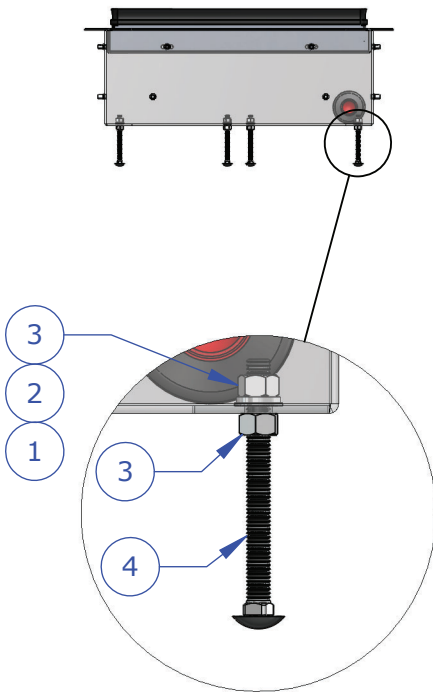
Center the access frame around the ground sleeve or base plate and install by pushing the anchor bolts down into the wet concrete. The bottom face of the flange should be flush with the concrete surface. (See associated rugby goal elevation detail drawings).

Step 4

The synthetic infill turf can be cut and secured to the provided infill turf attachment ledge. Synthetic turf and attachment method provided by others.

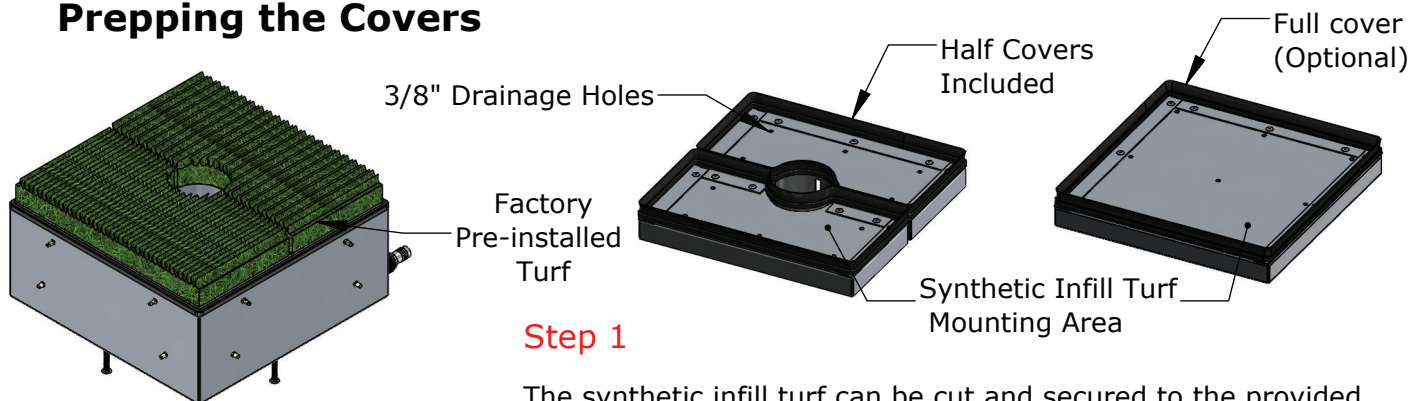
Step 5

Allow concrete to cure before installing rugby goal post.



ITEM NO.	QTY.	SAP Part Number	DESCRIPTION
1	4	110-FLW-0005	3/8 S.S. FLAT WASHER
2	4	110-SLW-0006	3/8-16 S. S. Lock Washer
3	8	107-HXN-0020	3/8-16 STAINLESS STEEL HEX NUT
4	4	101-CAB-0004	3/8-16 x 4.00" L, Carriage Bolt, SS
5	1	PURCHP-0158	Adapter, Male

Prepping the Covers



Step 1

The synthetic infill turf can be cut and secured to the provided covers. Synthetic turf and attachment method provided by others.

RGAFNG/RGAFNGH
Natural Grass Application

TITLE:

Rugby Goal Post
Access Frame

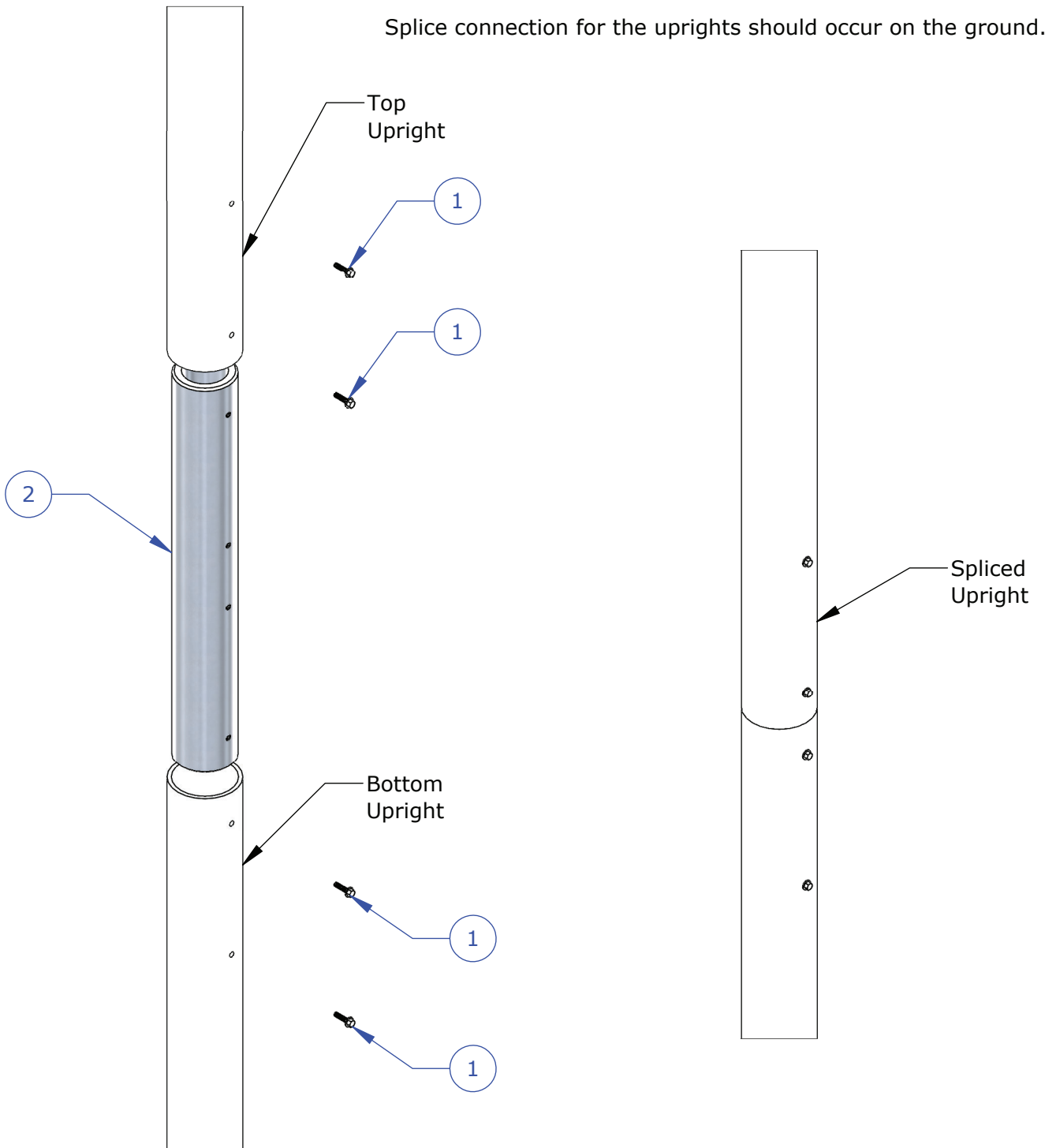
DWG NO:

ID-00144

SHEET 1 OF 1

NOTE: Applicable to 44'H Rugby Goals only.

Splice connection for the uprights should occur on the ground.

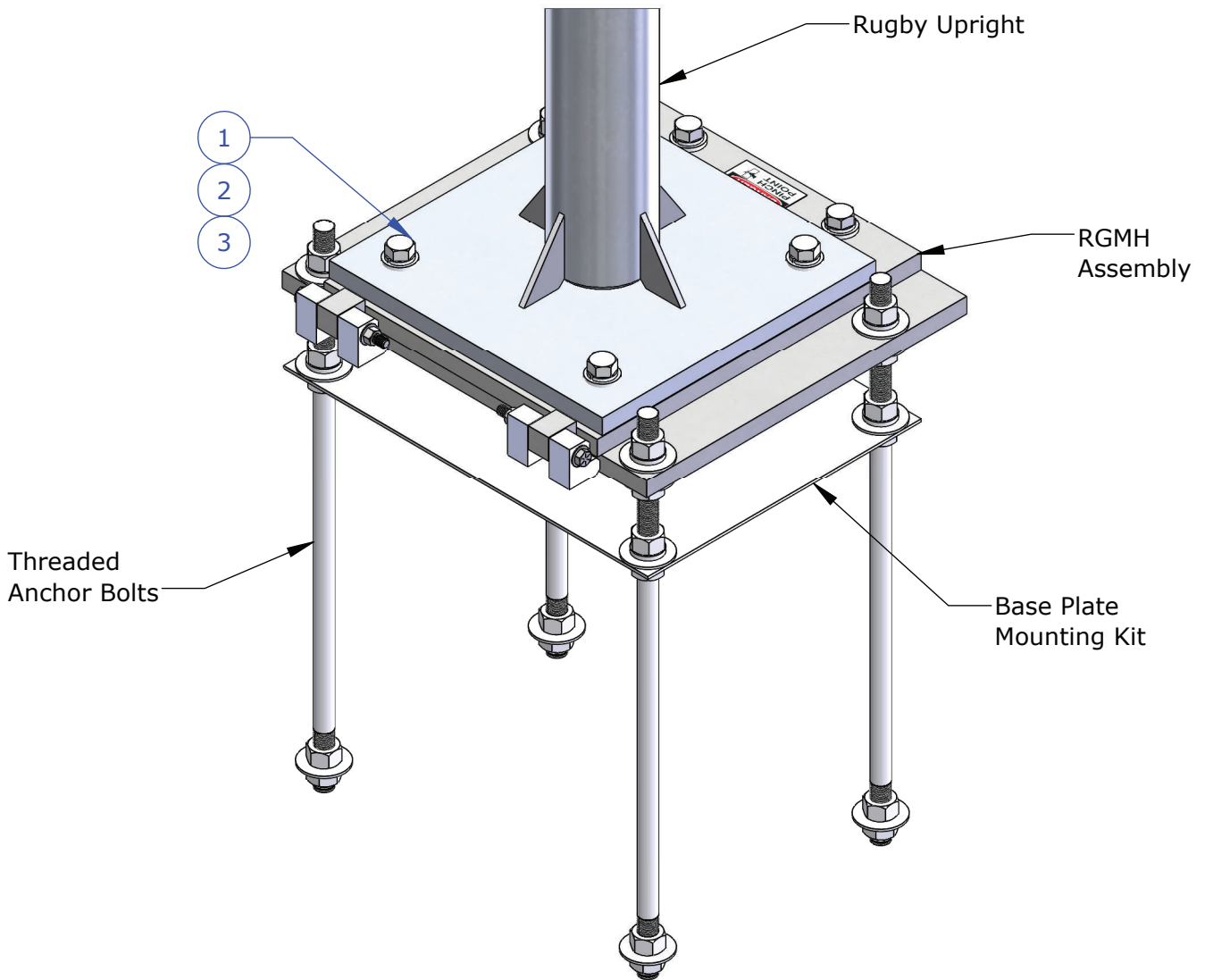


ITEM NO.	QTY.	SAP Part Number	DESCRIPTION
1	8	100-HWH-0001	1/4-20 x 1" Hex Washer Head with serrated flange, Grade 5, Fully Threaded
2	2	Undefined	Rugby Goal Splice Tube

TITLE: Upright Splice Connection

DWG NO: ID-00136

SHEET 1 OF 1



Step 1

Remove upper base plate mounting kit hardware (reference ID-00140).

Step 2

Set RGMH assembly onto threaded anchor bolts per elevation detail ID-00139.

Step 3

Re-install base plate mounting kit hardware and tighten.

Step 4

Install upright onto RGMH assembly with (4) of the bolts and washers (**Items #1-3**).

Step 5

Verify the upright is plumb. RGMH assembly hardware as needed.

Step 6

Tighten all hardware when plumb.

Step 7

For operation, reference ID-00143.

ITEM NO.	QTY.	SAP Part Number	DESCRIPTION
1	4	102-HHC-0010	5/8-11 A325 GALV. Hex Head Bolt X 1.500" Long
2	4	111-SLW-0005	5/8 Galvanized Lock Washer
3	4	111-FLW-0006	5/8" Gavanized Steel Flat Washer, F436

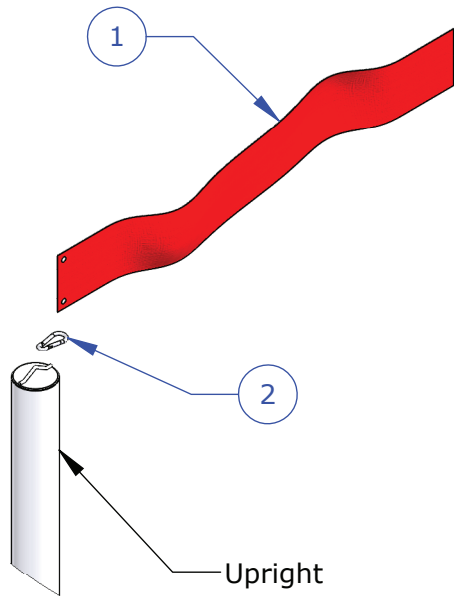
TITLE: **Hinged Rugby Goal Post Upright Installation**

DWG NO: **ID-00141**

SHEET 1 OF 1

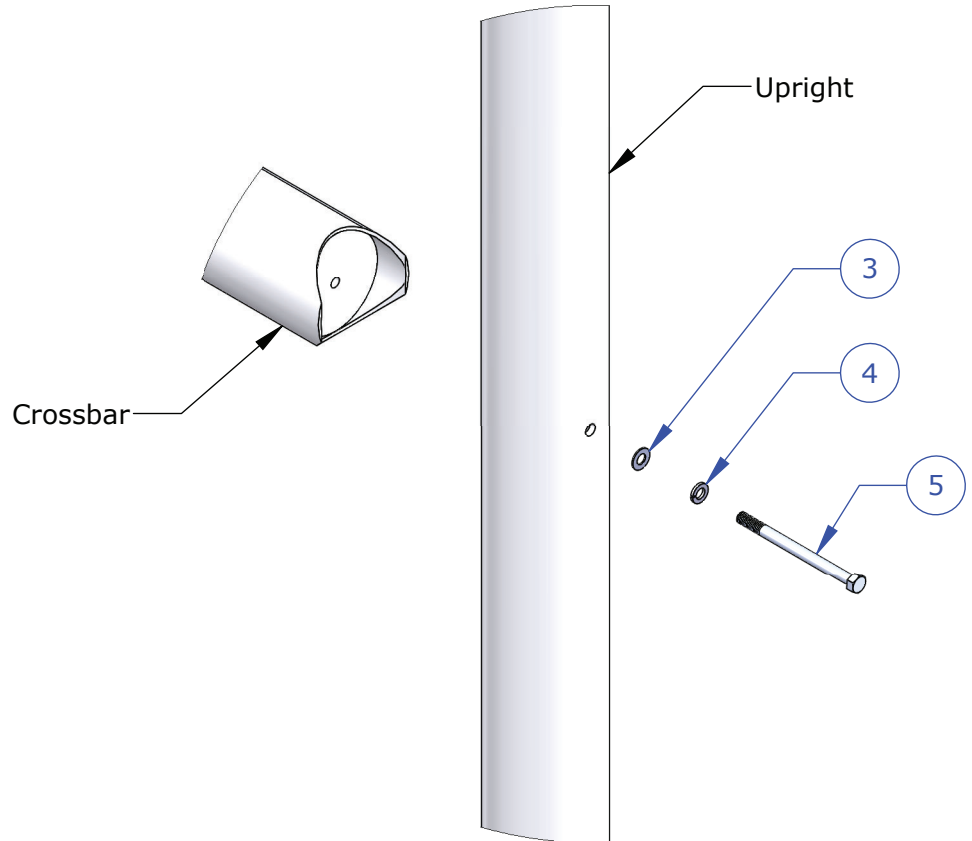
Step 1

Install the directional flags onto the upright poles using the spring hooks.



Step 2

Install upright poles with holes running parallel with the end line such that they will align with the crossbar.



Step 3

With 2 or more people, install the crossbar between the uprights, making sure the crossbar is aligned with both uprights before tightening all hardware.

ITEM NO.	QTY.	SAP Part Number	DESCRIPTION
1	2	GPDSTRGPT	Directional Flag
2	2	PURCHP-0097	3/16" Spring Hook-No Eye 304 SS
3	2	110-FLW-0005	3/8 S.S. FLAT WASHER
4	2	110-SLW-0006	3/8-16 S. S. Lock Washer
5	2	101-HHC-0040	3/8-16 x 5.00" Hex Head Bolt, 304 SS

TITLE:

Rugby Goal Assembly

DWG NO:

ID-00134

SHEET 1 OF 1

Step 1

Remove the access frame covers.

Step 2

To lower the goal, attach two cables or chains to each upright rated at 1200lbs working load limit to the welded lifting tab on each upright and apply light tension to remove slack from the cable with suitable machinery.

CAUTION: Prior to lowering the goal, ensure that the area in front of the goal post is clear of all persons and objects.

Step 3

Remove the lock down bolts and lower the goal slowly to the ground.

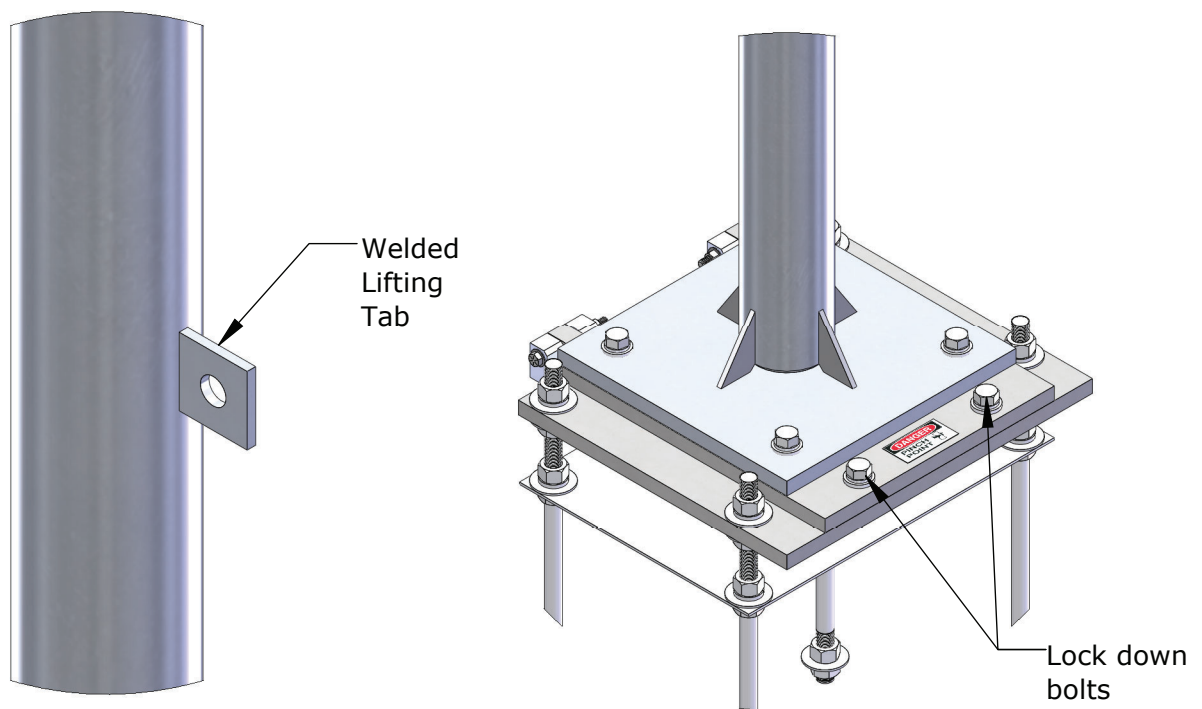
Step 4

To raise the goal into position, attach a cable or chain to the welded lifting tab on each upright and apply tension to remove slack from the cable and slowly raise. Once the goal is in the upright position, the lock down bolts can be replaced and tightened.

CAUTION: The goal should never be left unattended without lock down bolts securely in place.

Step 5

Replace the access frame covers.



TITLE: **Hinged Rugby Goal Post
Operation**

DWG NO:

ID-00143

SHEET 1 OF 1