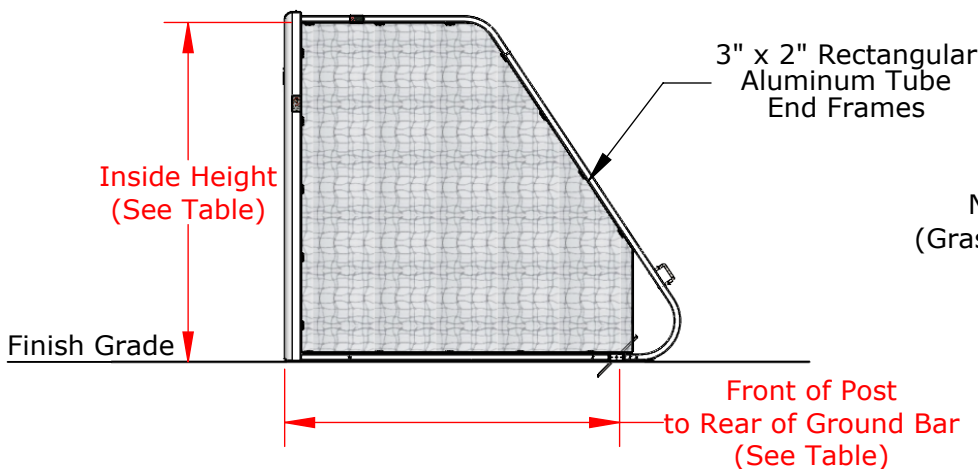
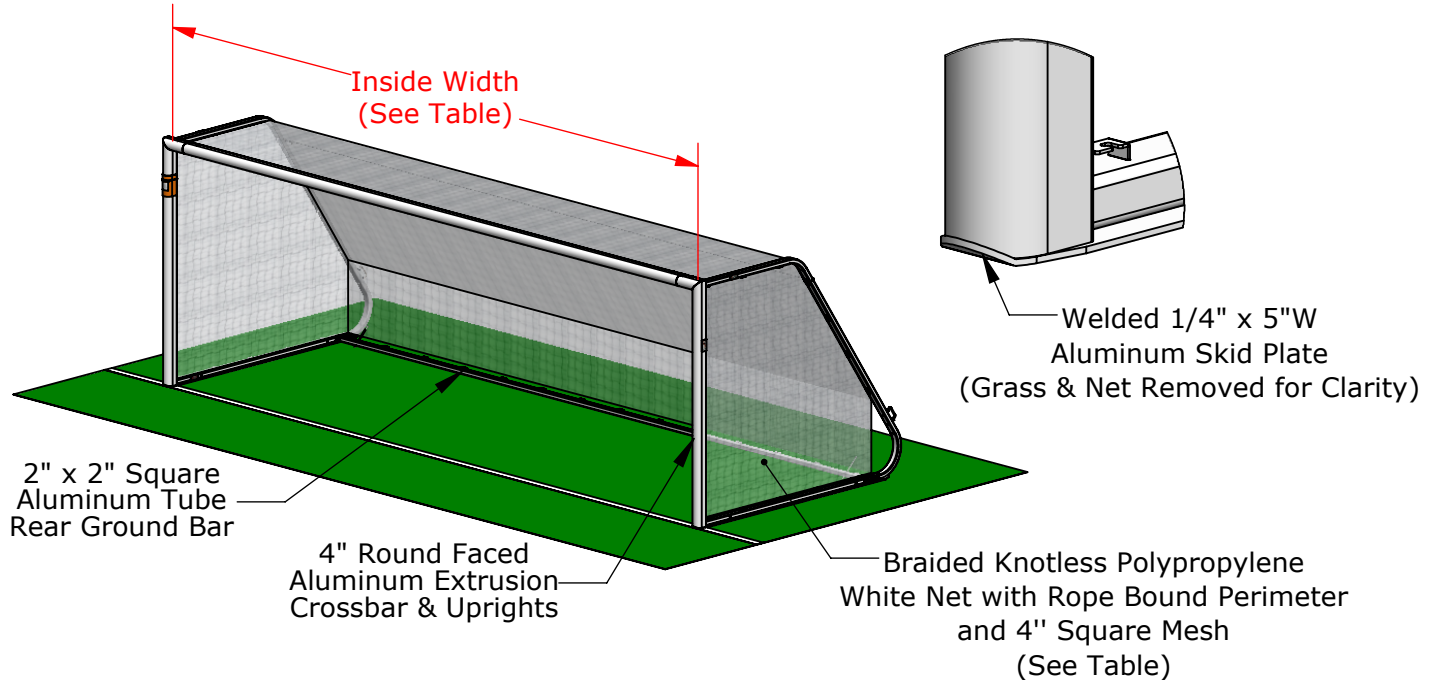


United States Patent #7,331,880, Issued February 19, 2008
United States Patent #8,777,784, Issued July 15, 2014

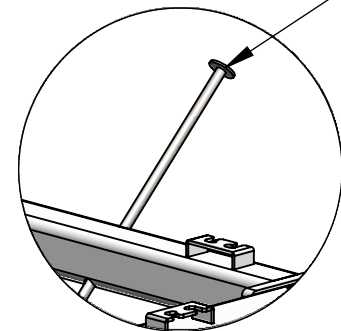
Optional Equipment:
SGWKL5 - Levered Soccer Goal with Skids External Wheel Kit
SG2S® - Soccer Goal Safety System

Meets and exceeds ASTM F2950-14 Standard Safety and Performance Specification for Soccer Goals and ASTM F1938-98 Standard Guide for Safer Use of Movable Soccer Goals

Standard White Powder Coated Finish



Anchoring Pin for Natural Grass Applications
(Grass & Net Removed for Clarity)



Part No.	Size	Inside Height	Inside Width	Front of Post to Rear of Ground Bar	Net Twine Diameter
SG824RS	Regulation	8'-0"	24'-0"	8'-0" or 8'-4"	5 mm
SG721RS	Youth	7'-0"	21'-0"	7'-0"	3 mm
SG618RS	Youth	6'-6"	18'-6"	7'-0"	3 mm

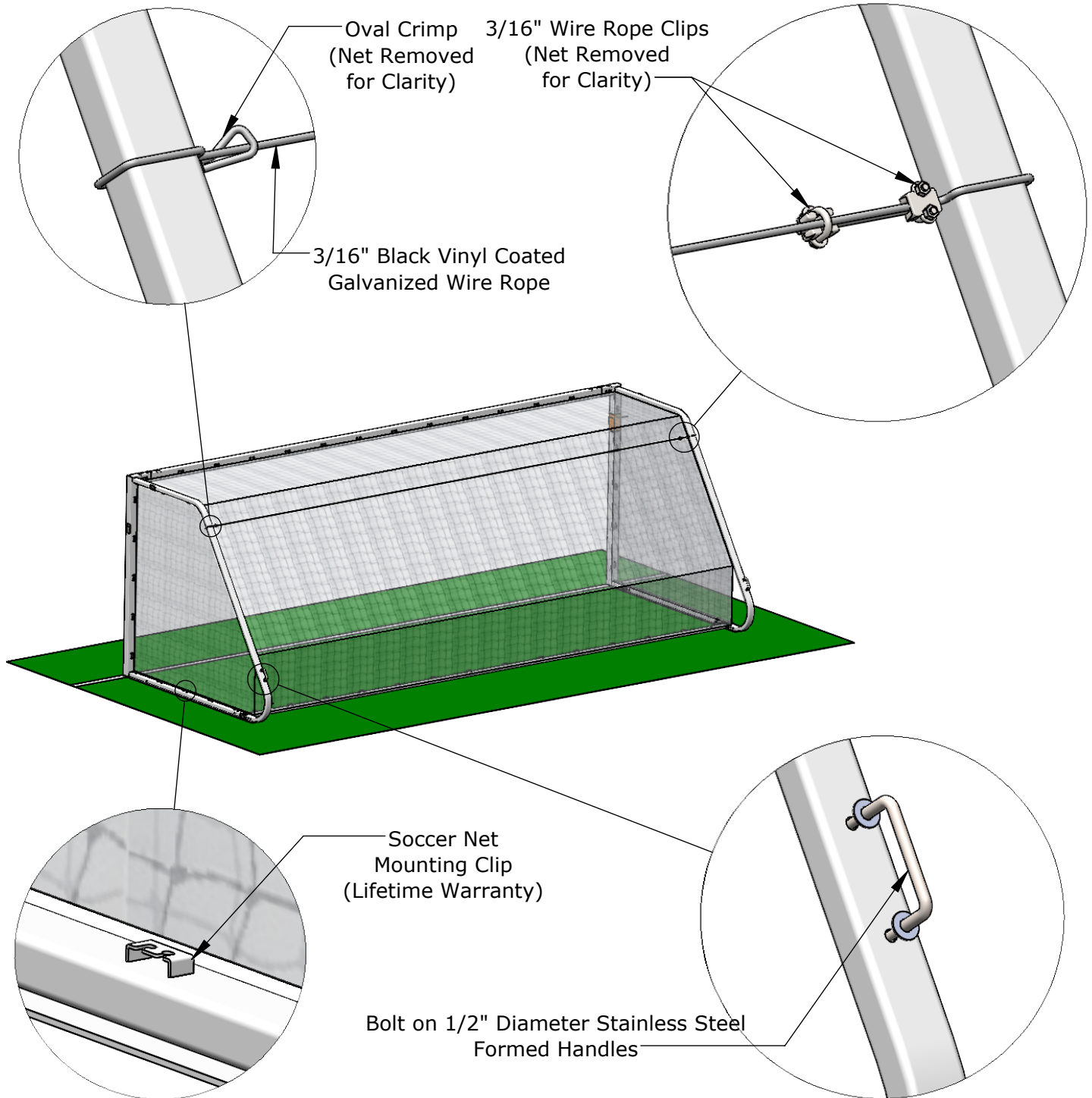
PROPRIETARY AND CONFIDENTIAL

THE INFORMATION CONTAINED IN THIS DRAWING IS THE SOLE PROPERTY OF SPORTSFIELD SPECIALTIES INC. ANY REPRODUCTION IN PART OR AS A WHOLE WITHOUT THE WRITTEN PERMISSION OF SPORTSFIELD SPECIALTIES INC. IS PROHIBITED.

Round Faced Soccer Goal with Skids

Not To Scale

Sportsfield Specialties Inc 104501.1-250324



PROPRIETARY AND CONFIDENTIAL

THE INFORMATION CONTAINED IN THIS DRAWING IS THE SOLE PROPERTY OF SPORTSFIELD SPECIALTIES INC. ANY REPRODUCTION IN PART OR AS A WHOLE WITHOUT THE WRITTEN PERMISSION OF SPORTSFIELD SPECIALTIES INC. IS PROHIBITED.

Round Faced Soccer Goal with Skids

Not To Scale

Sportsfield Specialties Inc 104501.1-221020