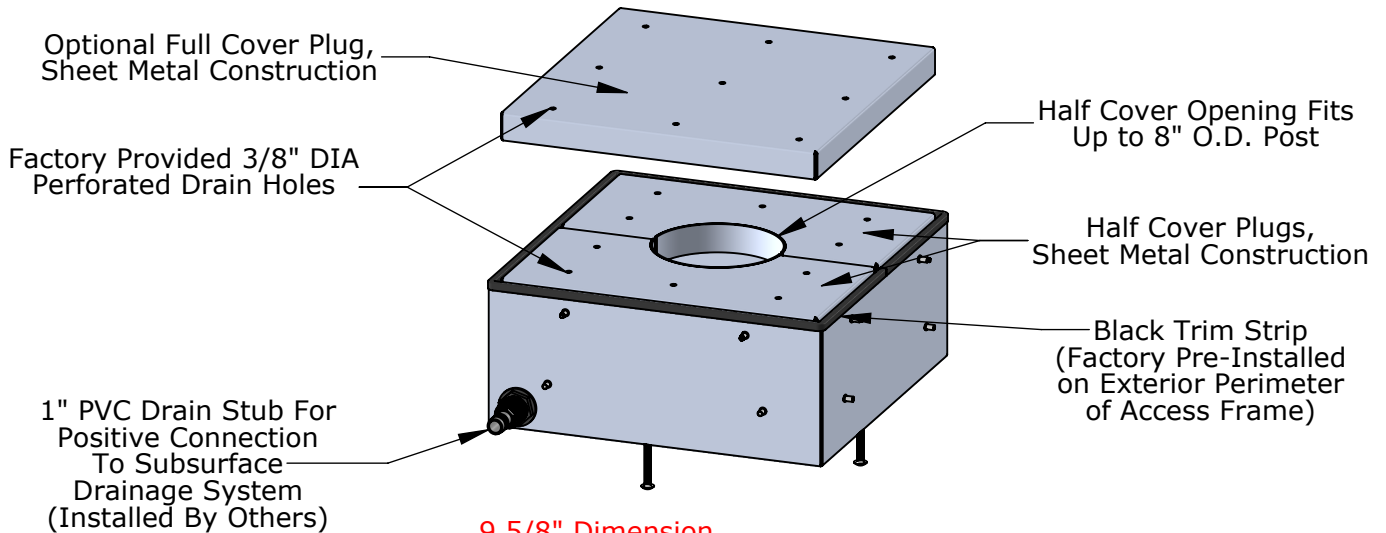
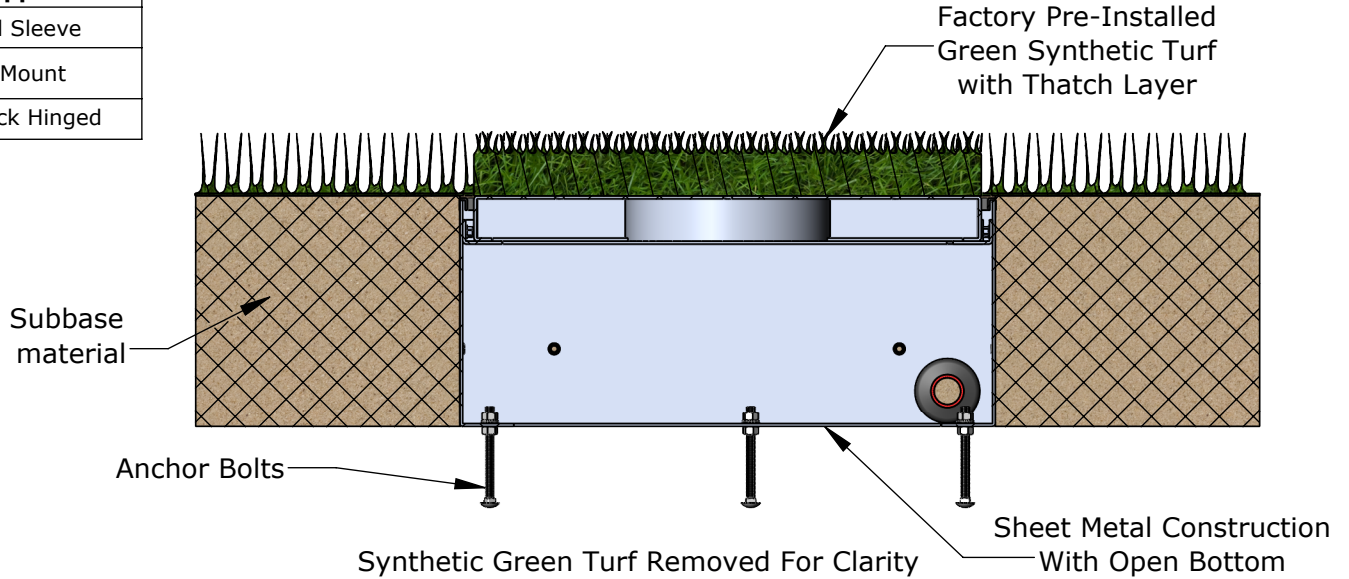
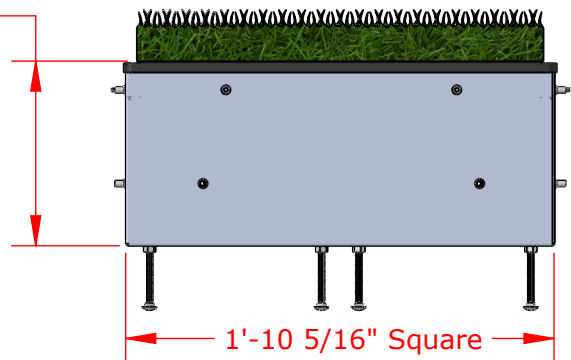


Standard Applications

Ground Sleeve
Plate Mount
Gooseneck Hinged



9 5/8" Dimension
from Bottom of Access
Frame to Finish Grade



Part No.	Material	Finish	Optional Full Cover Plug
GPAFNG	1/8" Riveted Aluminum	Mill	GPAFNGC
GPAFNGHD	11 Ga. Welded Steel	Powder Coated Black	GPAFNGCHD

PROPRIETARY AND CONFIDENTIAL

THE INFORMATION CONTAINED IN THIS DRAWING IS THE SOLE PROPERTY OF SPORTSFIELD SPECIALTIES INC. ANY REPRODUCTION IN PART OR AS A WHOLE WITHOUT THE WRITTEN PERMISSION OF SPORTSFIELD SPECIALTIES INC. IS PROHIBITED.

Not To Scale

Access Frame for Natural Grass Applications

Sportsfield Specialties Inc 104003.1-230717