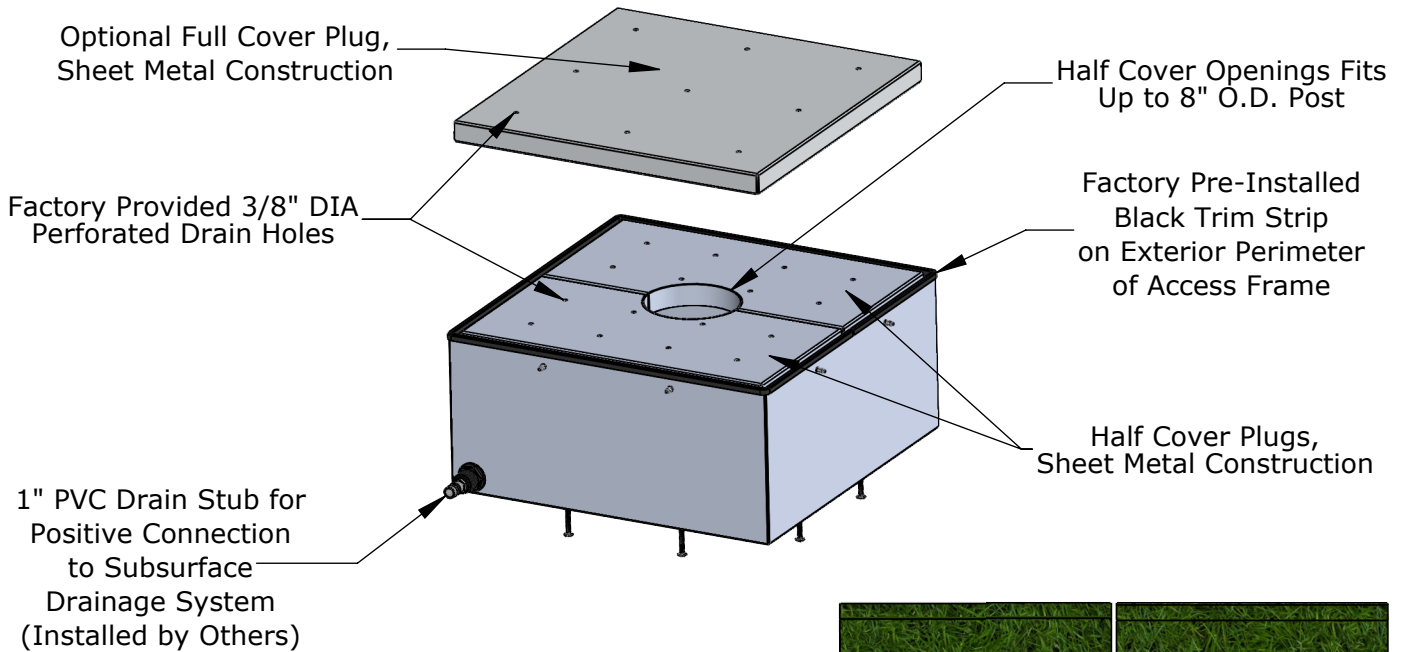
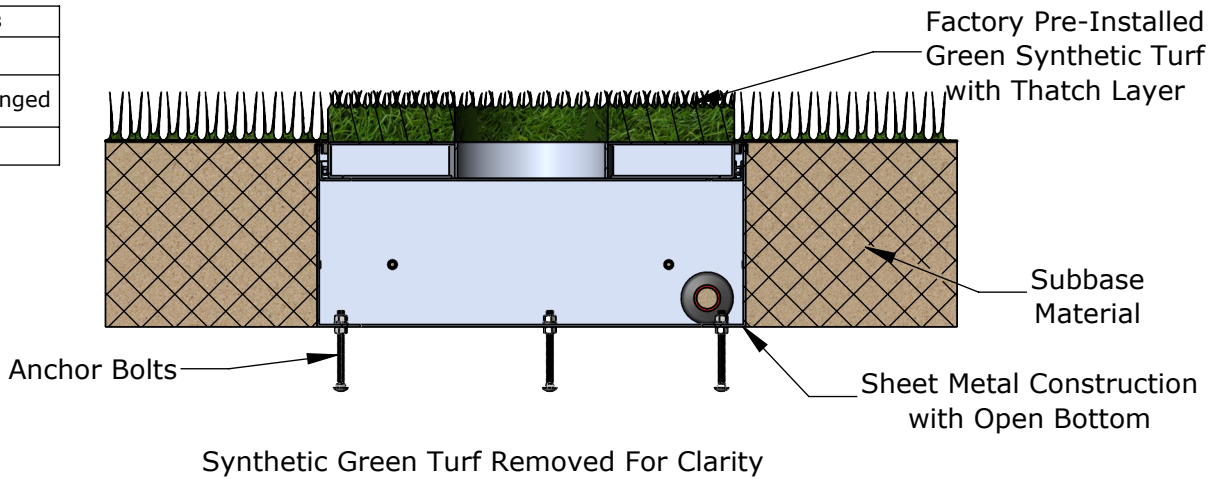
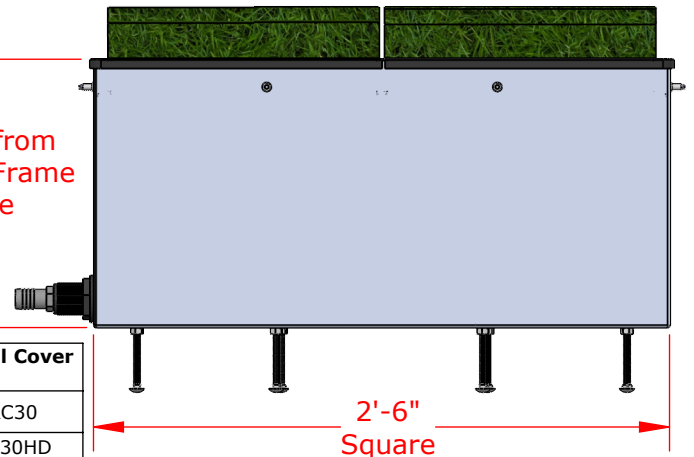


30" Applications
Rotating
Rotating Gooseneck Hinged
Manually Hinged



1'-2" Dimension from Bottom of Access Frame to Finish Grade



Part No.	Material	Finish	Optional Full Cover Plug
GPAFNGR30	1/8" Riveted Aluminum	Mill	GPAFNGRC30
GPAFNGR30HD	11 Ga. Welded Steel	Powder Coated Black	GPAFNGRC30HD

PROPRIETARY AND CONFIDENTIAL

THE INFORMATION CONTAINED IN THIS DRAWING IS THE SOLE PROPERTY OF SPORTSFIELD SPECIALTIES INC. ANY REPRODUCTION IN PART OR AS A WHOLE WITHOUT THE WRITTEN PERMISSION OF SPORTSFIELD SPECIALTIES INC. IS PROHIBITED.

**30" Access Frame
for Natural Grass Applications**

Not To Scale

Sportsfield Specialties Inc 104370.1-230717