



1-888-975-3343

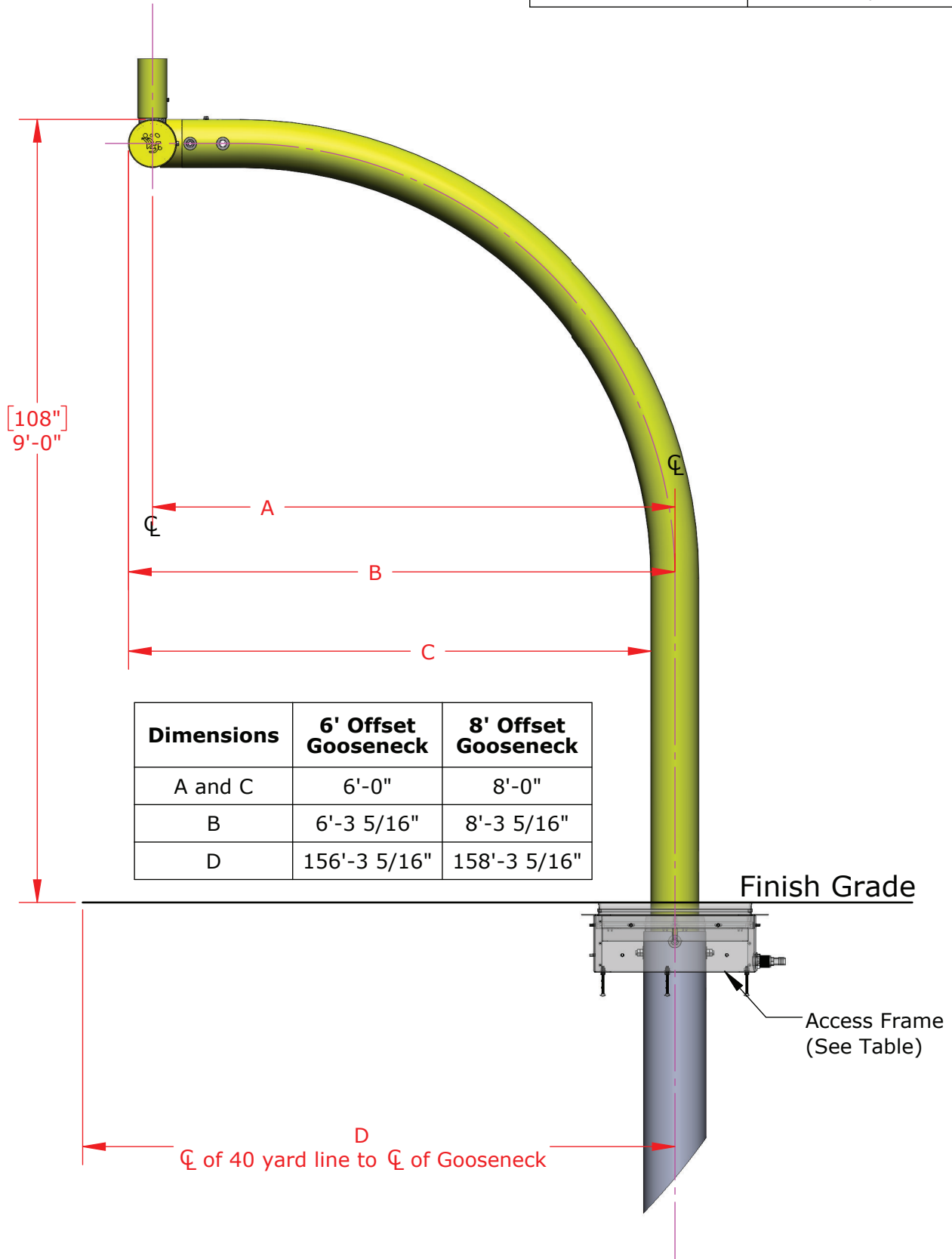
Install Instructions

6-Man Ground Sleeve Football Goal Posts

Product No.	Product Description
GP6116MN	6-Man Football Goal Post, 6' Offset, 11' Uprights
GP8116MN	6-Man Football Goal Post, 8' Offset, 11' Uprights

Field Placement of 6-Man Goal Post.....	ID-00508
Ground Sleeve Style Football Goal Post Elevation.....	ID-00002
GPAFIT/GPAFNG Access Kit Frame Installation.....	ID-00012
Gooseneck Installation.....	ID-00009
Upright Installation.....	ID-00011
AdjustRight® Upright Adjustment.....	ID-00023
Crossbar to Gooseneck Installation.....	ID-00010

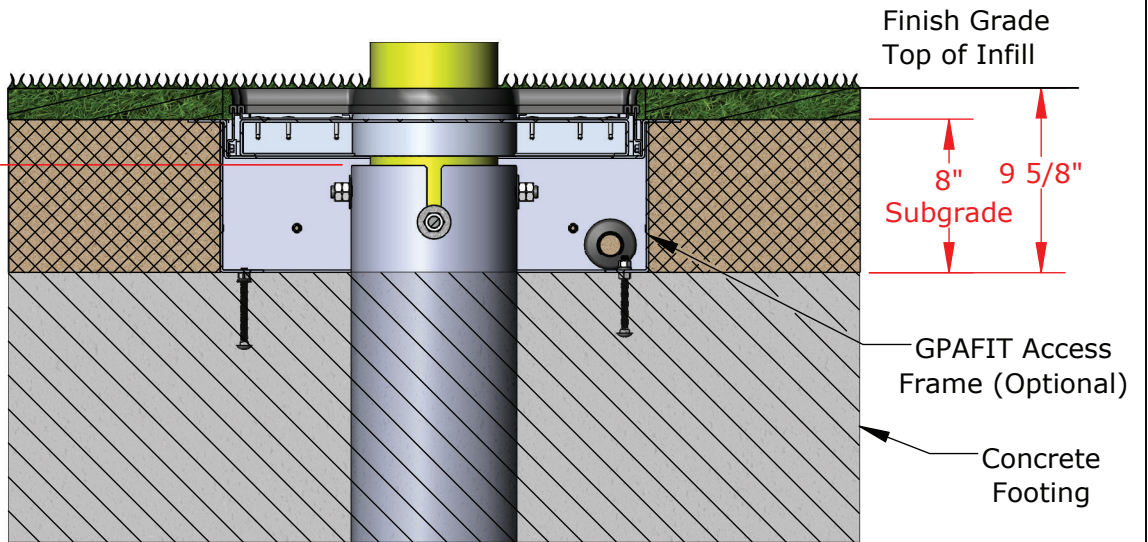
Goal Post Version	Access Frames
Ground Sleeve	Optional GPAFIT/GPAFNG



TITLE:	6-Man Football Goal Post Field Placement	DWG NO:	ID-00508
		SHEET 1 OF 1	

4" From
Top of Finish
Grade to Top
of Ground Sleeve

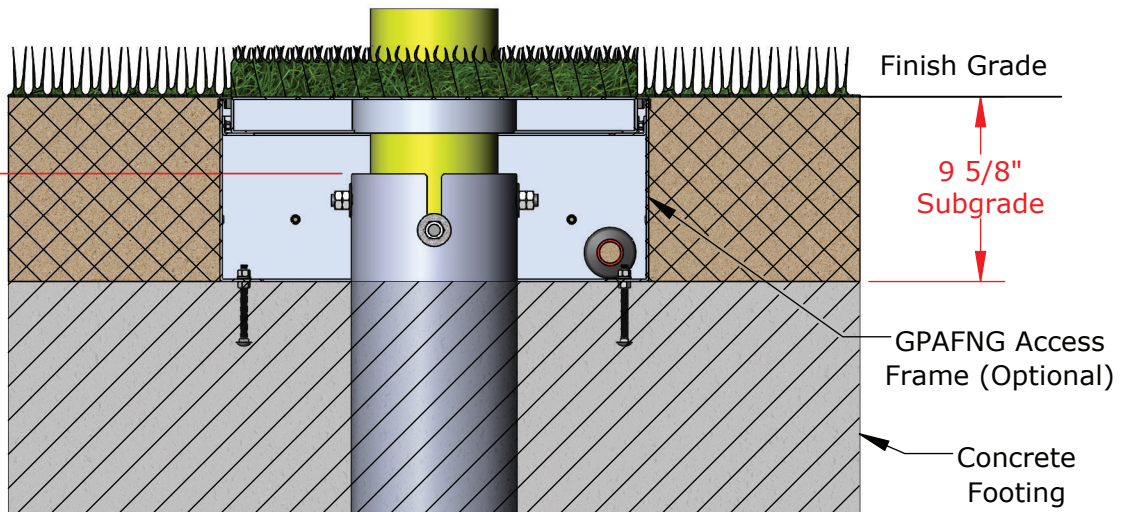
5 5/8" From
Top of Concrete
Footing to Top
of Ground Sleeve



Synthetic Infill Turf Application

4" From
Top of Finish
Grade to Top
of Ground Sleeve

5 5/8" From
Top of Concrete
Footing to Top
of Ground Sleeve



Natural Grass Application

TITLE: **Football Goal Post Elevation
Ground Sleeve**

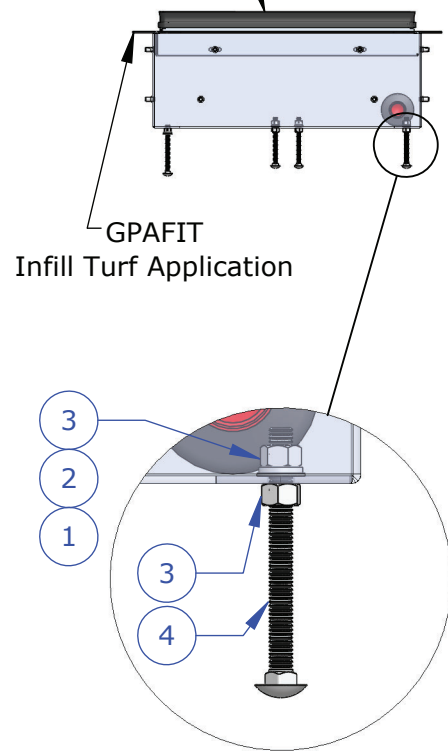
DWG NO:

ID-00002

SHEET 1 OF 1

Access Frame Installation

Patented Infill Retainer System



Step 1

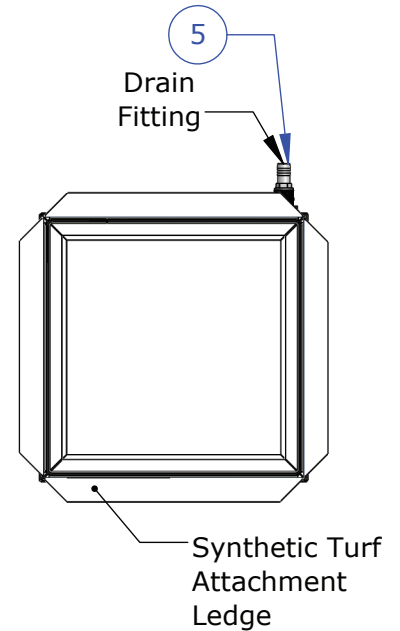
Pre-install the four (4) carriage bolts (Item #4) into the bottom flange of the access frame box with the heads down for anchoring into concrete.

Step 2

The box should be installed parallel to the end line. the drain fitting (Item #5) should face toward the nearest drainage system. If applicable, attach a 1" drain line to the end and connect it to the subsurface drainage system (designed and installed by others).

Step 3

Center the access frame around the ground sleeve or base plate and install by pushing the anchor bolts down into the wet concrete. The bottom face of the flange should be flush with the concrete surface. (See associated football elevation detail drawing.)



Step 4

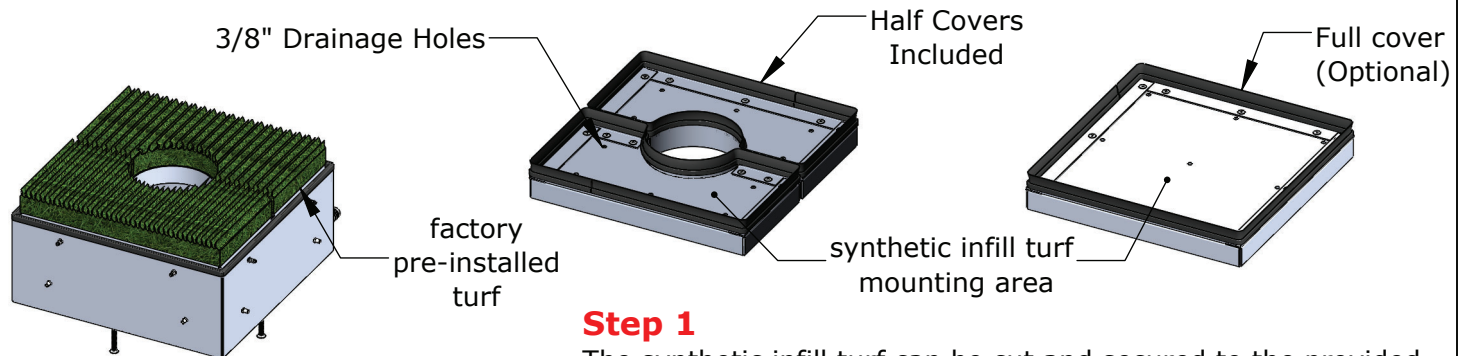
The synthetic infill turf can be cut and secured to the provided infill turf attachment ledge. Synthetic turf and attachment method provided by others.

Step 5

Allow concrete to cure before installing football goal post.

ITEM NO.	QTY.	SAP Part Number	DESCRIPTION
1	4	110-FLW-0005	3/8 S.S. FLAT WASHER
2	4	110-SLW-0006	3/8-16 S. S. Lock Washer
3	8	107-HXN-0020	3/8-16 STAINLESS STEEL HEX NUT
4	4	101-CAB-0004	3/8-16 x 4.00" L, Carriage Bolt, SS
5	1	PURCHP-0158	Adapter, Male

Preparing the Covers



Step 1

The synthetic infill turf can be cut and secured to the provided covers. Synthetic turf and attachment method provided by others.

TITLE: **Football Goal Post
GPAFIT/GPAFNG Access Frame**

DWG NO:

ID-00012

SHEET 1 OF 1

Step 1

Locate ground sleeve on field using drawing #ID-00001.

Step 2

Excavate to the minimum foundation requirements and set concrete forms. See product cut sheet or project design plans.

Step 3

Center the ground sleeve in the form and secure it in a plumb position. See slot detail for ground sleeve orientation in relation to the field lines. See Drawing #ID-00002 for goal post elevation details.

Step 4

See Drawing #ID-00012 if installing optional access frame, otherwise proceed to step 5.

Step 5

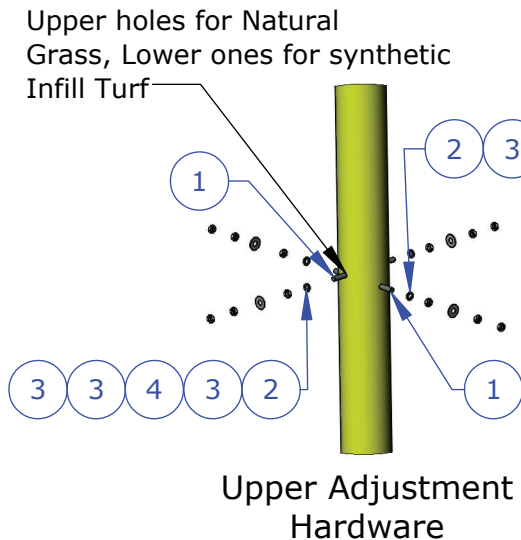
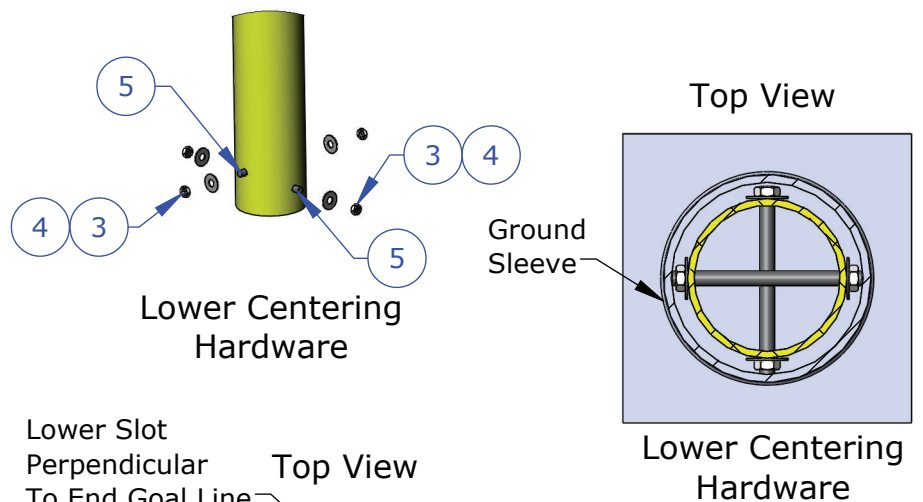
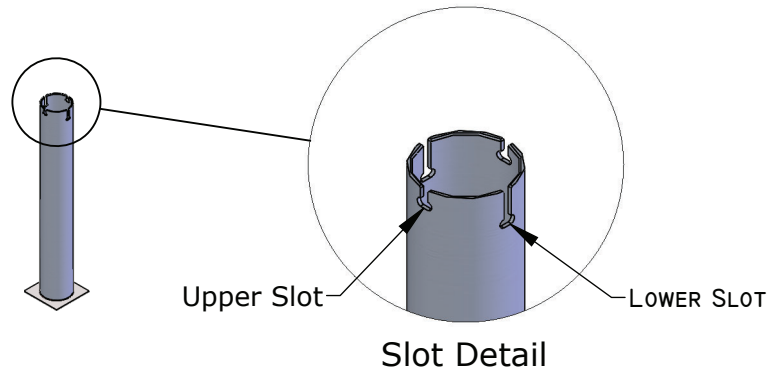
Install lower centering hardware.

Step 6

Install Upper Adjustment Hardware.

Important Note:

Upper Slots run parallel to End Goal Line while lower slots run perpendicular to end goal line



Lower Slot Perpendicular To End Goal Line

Lower Centering Hardware

Upper Slot Parallel to End Goal Line

Step 7

Slide the gooseneck into the ground sleeve and hand tighten upper hardware. Fully tighten when the goalpost alignment is complete.

ITEM NO.	QTY.	SAP Part Number	DESCRIPTION
1	2	E-1000-0021	5/8-11 x 10.750" Zinc Plated Steel Threaded Rod
2	4	111-SLW-0005	5/8 Galvanized Lock Washer
3	16	108-HXN-0006	5/8-11 GALV JAM NUT
4	8	111-FLW-0005	5/8" Galvanized Steel Flat Washer
5	2	E-1000-0020	5/8-11 x 7.875" Zinc Plated Steel Threaded Rod

TITLE:

Ground Sleeve Style
Gooseneck Installation

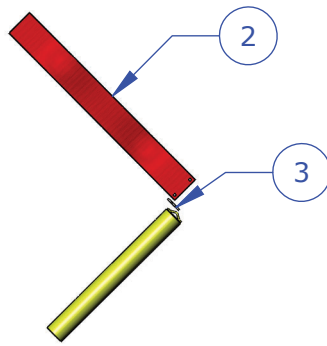
DWG NO:

ID-00009

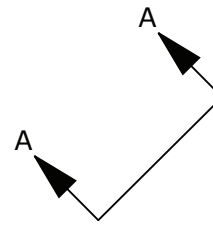
SHEET 1 OF 1

Step 1

Install the directional flags onto the top of the upright using supplied spring hooks.



SECTION VIEW A-A



Step 2

Insert the crossbar into the gooseneck and rotate the crossbar as shown to facilitate upright installation.

Important Note:

Do not install any crossbar to gooseneck hardware at this time, crossbar will need to be manually held in place during the entire upright installation. do not allow crossbar to over-rotate, allowing upright to hit the ground.

Step 3

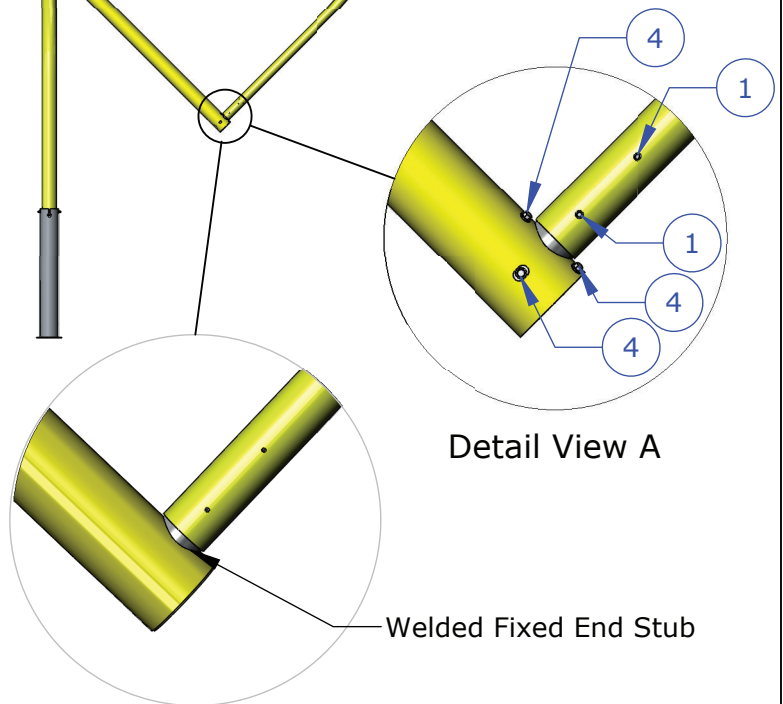
Install the uprights onto the stub using the 1/4" serrated flange hex bolts (Item #1). Tighten the hardware connecting the upright to the stub.

Step 4

Per Detail View A, Install the Adjustright® hardware (Item #4) and hand tighten only at this time. For models with 35' uprights, please see Detail View B.

Step 5

After installing the first upright, rotate the crossbar bar to the opposite side to facilitate installation of the remaining upright. After both uprights are installed, rotate the crossbar assembly to its final level position.



Detail View B for 35' Uprights

ITEM NO.	QTY.	SAP Part Number	DESCRIPTION
1	4	100-HWH-0001	1/4-20 x 1" Hex Washer Head with serrated flange, Grade 5, Fully Threaded
2	2	GPDSTRGPT	Directional Flag
3	2	PURCHP-0097	3/16" Spring Hook-No Eye 304 SS
4	6	100-HWH-0002	3/8-16 x 1" Hex Washer Head with serrated flange, Grade 5, Fully Threaded

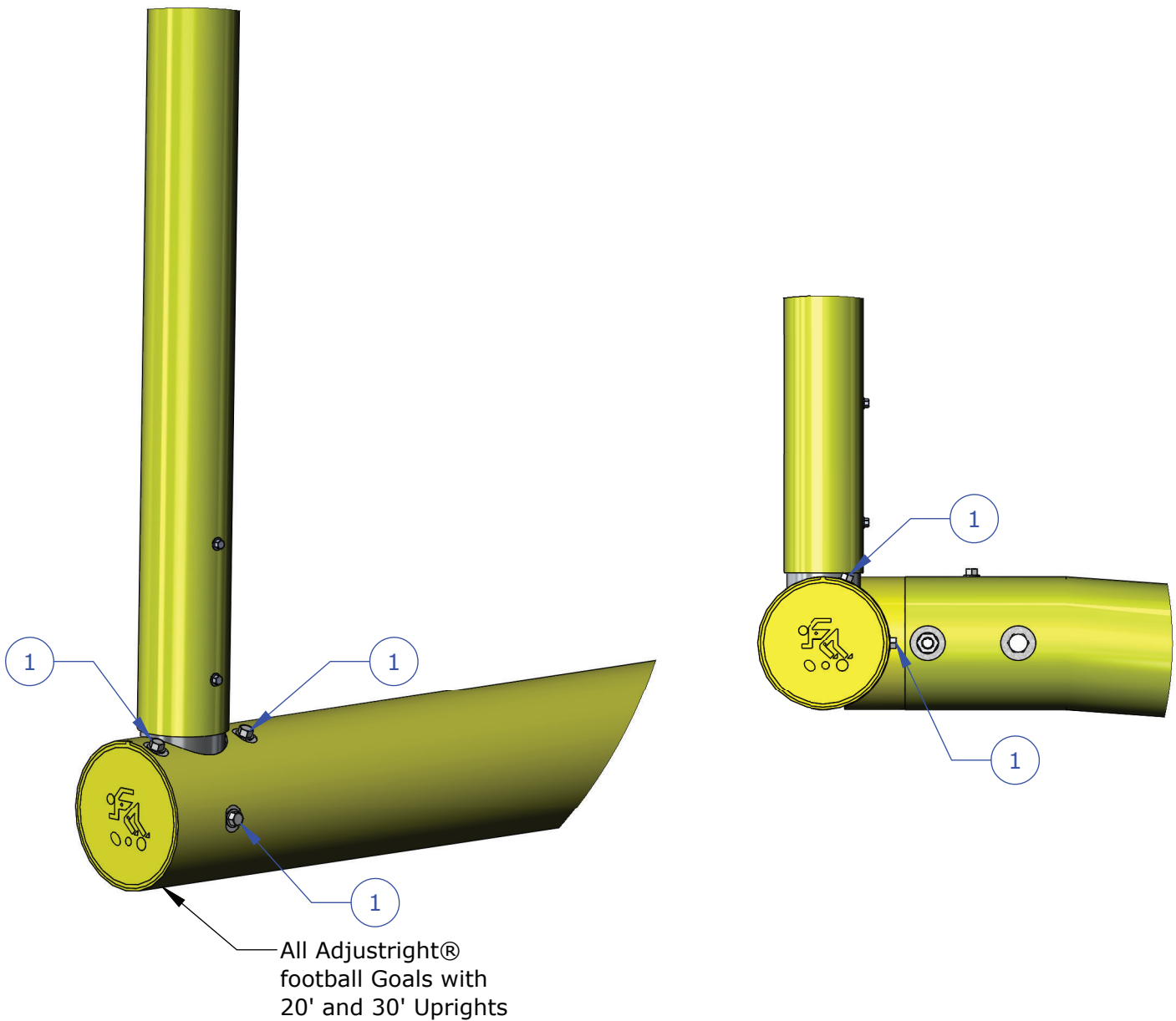
TITLE:

Football Goal Post Upright Installation

DWG NO:

ID-00011

SHEET 1 OF 1



Step 1

Position the level vertically on the upright. Move the upright back and forth utilizing the AdjustRight® stub adjustment feature until upright is plumb and tighten the 3/8" serrated flange bolts (Item # 1) by hand, making sure to maintain upright position.

Step 2

Double check the upright for plumb and tighten the 3/8" serrated flange hex bolts (Item # 1) with a hand torque wrench set to 55 ft-lbs.

Important Note:

Do not exceed 55 ft-lbs, Failure to complete this step will allow uprights to fall out of alignment.

ITEM NO.	QTY.	SAP Part Number	DESCRIPTION
1	6	100-HWH-0002	3/8-16 x 1" Hex Washer Head with serrated flange, Grade 5, Fully Threaded

TITLE: **Football Goal Post
AdjustRight® Upright Adjustment**

DWG NO: **ID-00023**

SHEET 1 OF 1

Step 1

Insert all hardware as shown below.
Do not tighten. (See note #1)

Step 2

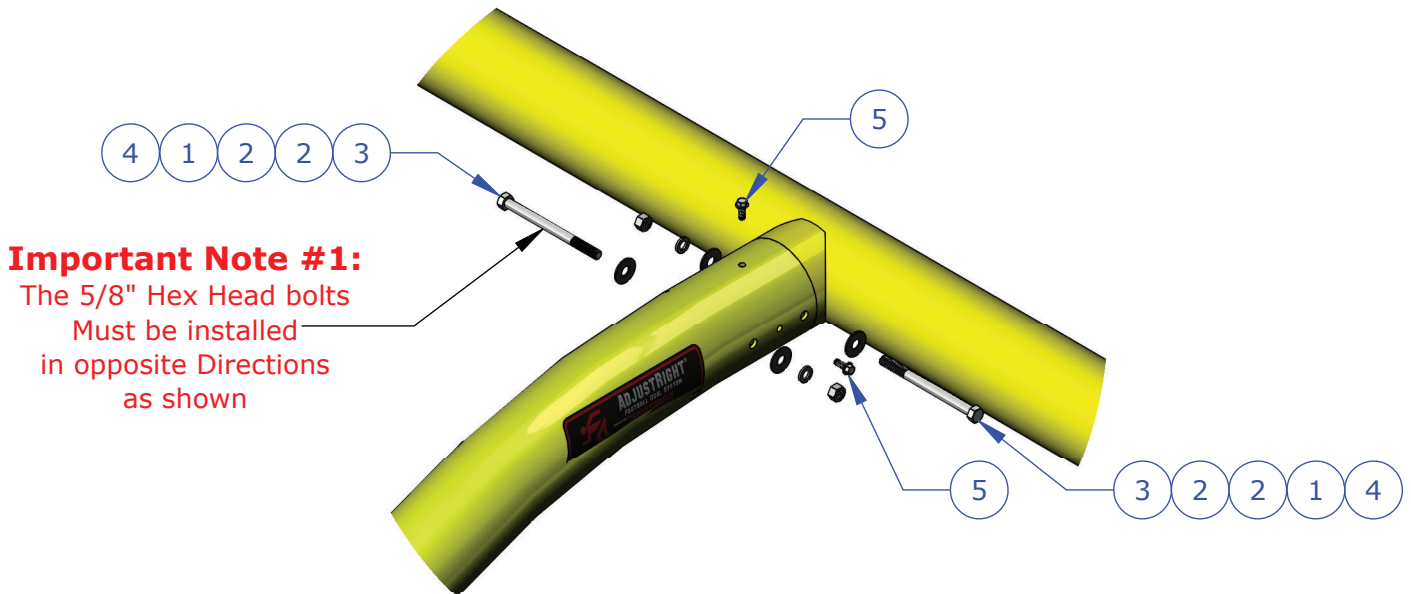
Verify that the crossbar is level,
tighten the (2) 3/8" serrated flange
hex bolts (Item #5) with hand tools.

Step 3

Tighten all remaining hardware.

Step 4

Verify that the crossbar is parallel
to the end line. Top of crossbar
must be 10' above finish grade. If
necessary, make adjustments
using leveling and/or centering
hardware at the base of the
gooseneck.



Gooseneck/Crossbar Hardware

ITEM NO.	QTY.	SAP Part Number	DESCRIPTION
1	2	111-SLW-0005	5/8 Galvanized Lock Washer
2	4	111-FLW-0005	5/8" Galvanized Steel Flat Washer
3	2	102-HHC-0014	5/8-11 GALV. Hex Head Bolt X 8.000" Long
4	2	108-HXN-0005	5/8-11 Hex Nut, Galv.
5	2	100-HWH-0002	3/8-16 x 1" Hex Washer Head with serrated flange, Grade 5, Fully Threaded

TITLE: **Football Goal Post
Crossbar to Gooseneck Installation**

DWG NO: **ID-00010**

SHEET 1 OF 1