



Excellence from Design to Installation

1-888-975-3343

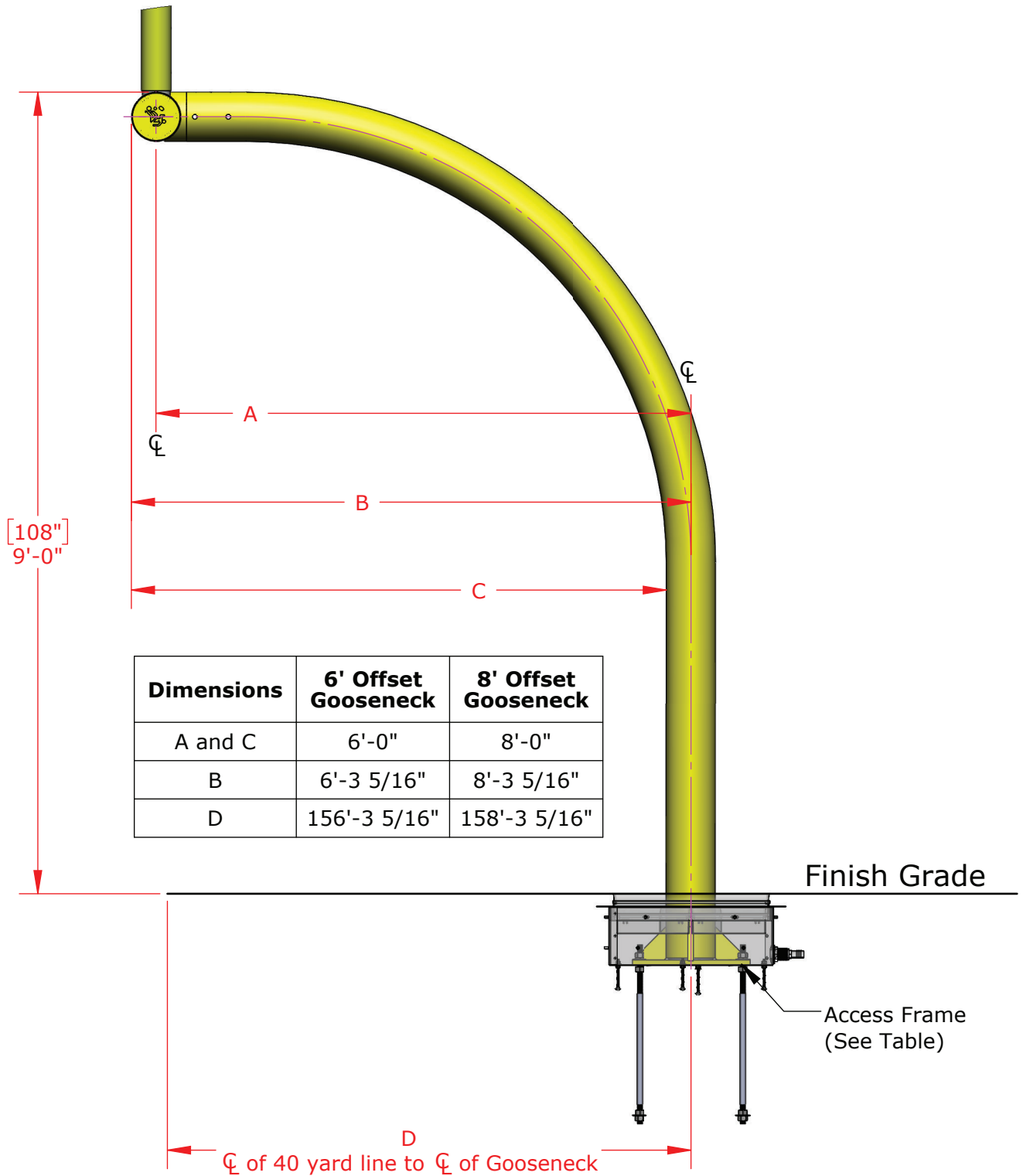
Install Instructions

6-Man Plate Mount Football Goal Posts

Product No.	Product Description
GP6116MNPL	6-Man Football Goal Post, 6' Offset, 11' Uprights
GP8116MNPL	6-Man Football Goal Post, 8' Offset, 11' Uprights

Field Placement of Goal Post.....	ID-00509
Base Plate Mounting Kit.....	ID-00020
Plate Mount Style Football Goal Post Elevation.....	ID-00003
GPAFIT/GPAFNG Access Kit Frame Installation.....	ID-00012
Gooseneck Installation.....	ID-00015
Upright Installation.....	ID-00011
AdjustRight® Upright Adjustment.....	ID-00023
Crossbar to Gooseneck Installation.....	ID-00010

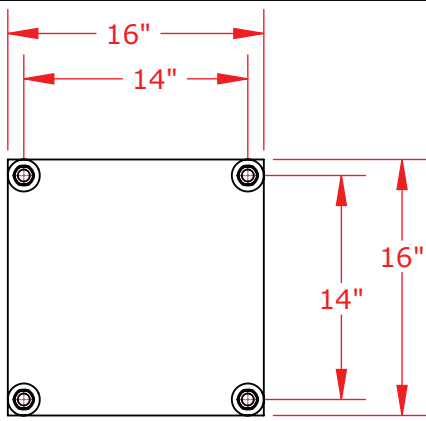
Goal Post Version	Access Frames
Plate Mount	Optional GPAFIT/GPAFNG



TITLE: **6-Man Football Goal Post Field Placement**

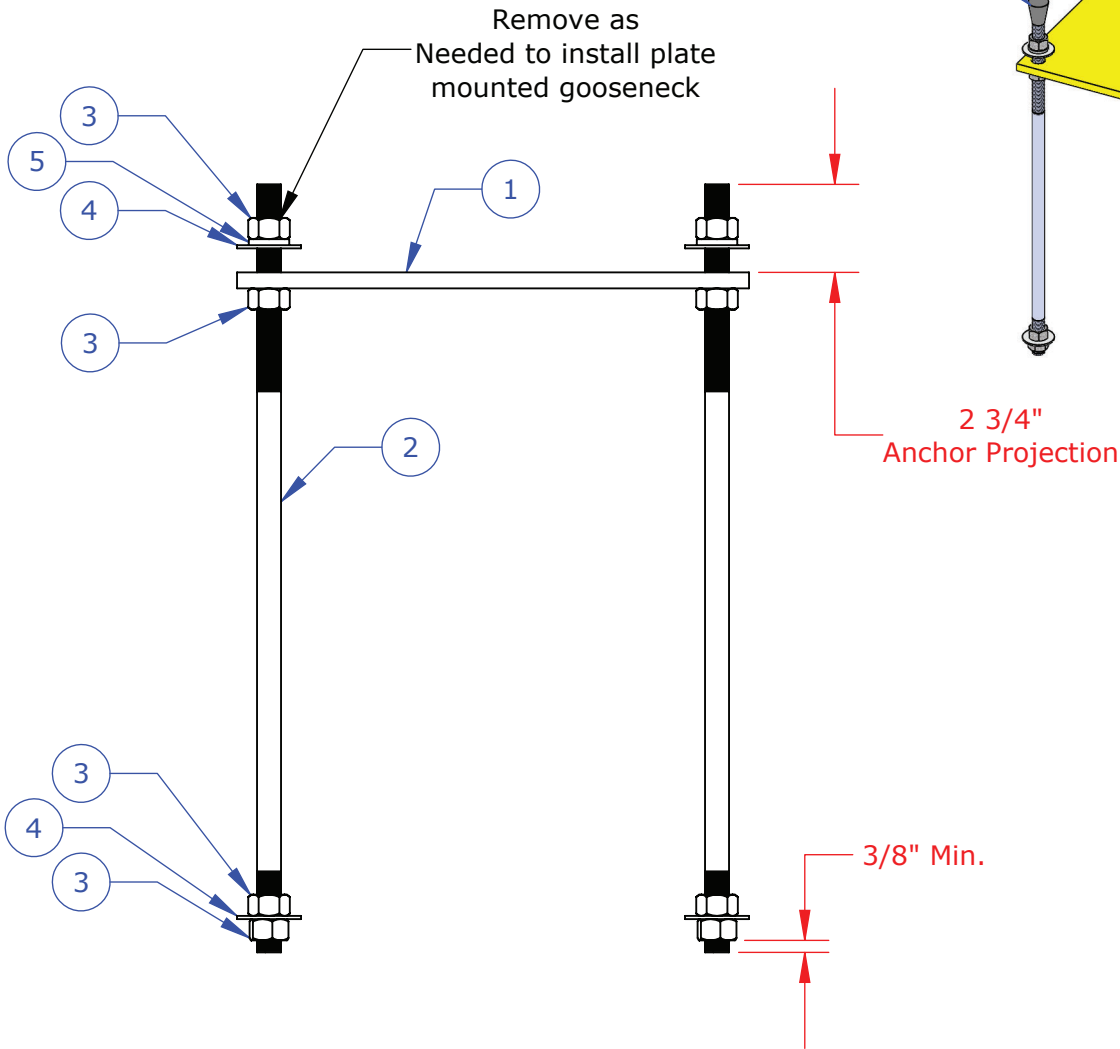
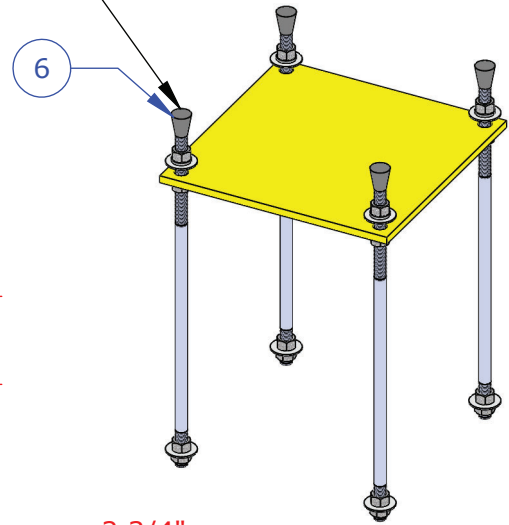
DWG NO: **ID-00509**

SHEET 1 OF 1



Goal Post Version
Plate Mount
Rotating
Rotating and Hinged

Plastic Caps
Provided to Protect
Anchors during
Concrete Pour

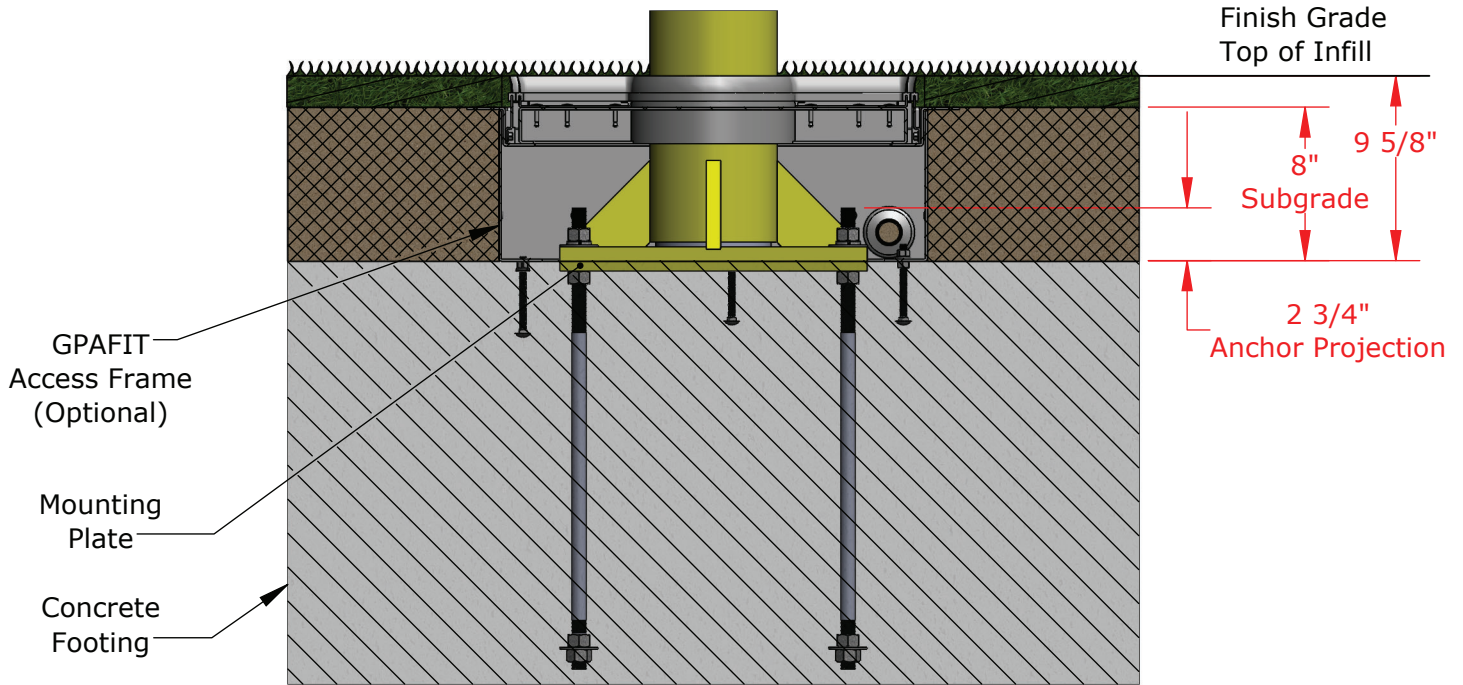


ITEM NO.	QTY.	SAP Part Number	DESCRIPTION
1	1	E-0003-0002	1/2" Steel Ground Plate
2	4	PURCHP-0680	3/4-10X24" ANCHOR BOLT, Galvanized
3	16	108-HXN-0003	3/4-10 Galvanized Hex Nut
4	8	111-FLW-0003	3/4 Galv. FLAT WASHER
5	4	111-SLW-0003	3/4-10 Galvanized Lock Washer
6	4	PURCHP-0282	CAP, THREAD PLASTIC

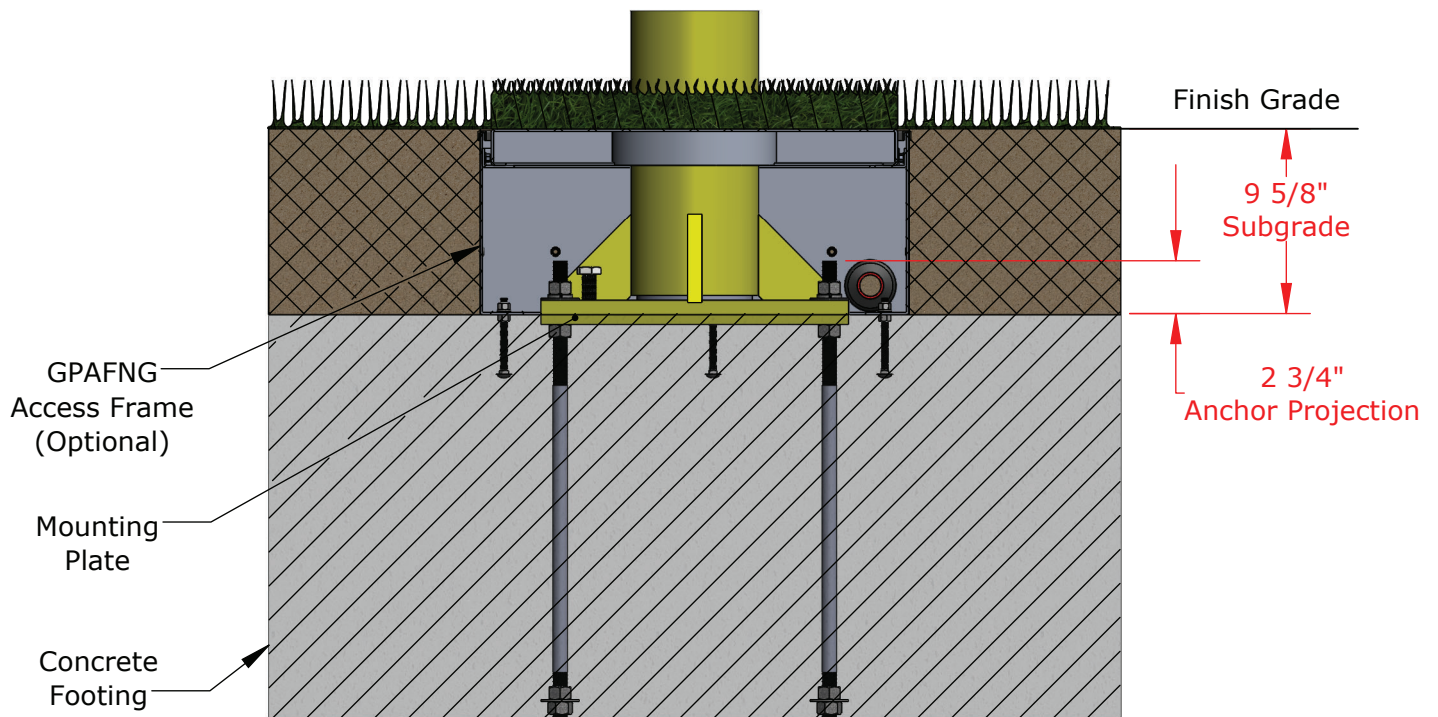
TITLE:
Base Plate Mounting Kit

DWG NO:
ID-00020

SHEET 1 OF 1



Synthetic Infill Turf Application



Natural Grass Application

TITLE: **Football Goal Post Elevation Plate Mount**

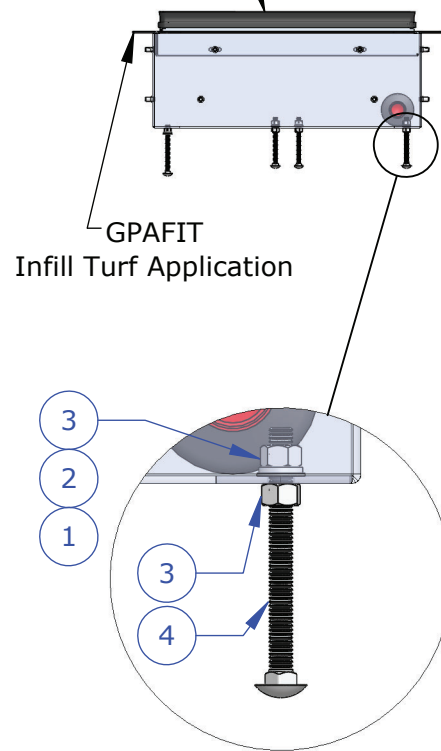
DWG NO:

ID-00003

SHEET 1 OF 1

Access Frame Installation

Patented Infill Retainer System



Step 1

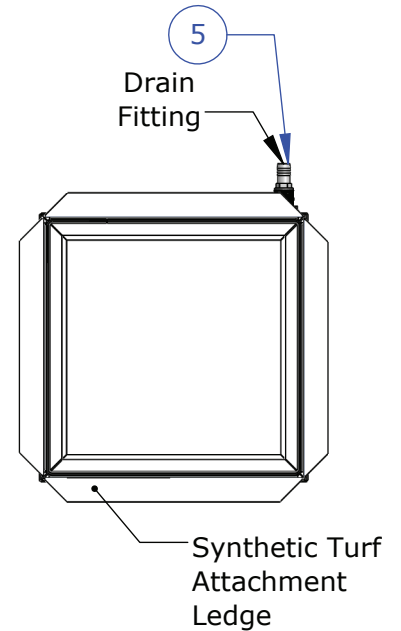
Pre-install the four (4) carriage bolts (Item #4) into the bottom flange of the access frame box with the heads down for anchoring into concrete.

Step 2

The box should be installed parallel to the end line. the drain fitting (Item #5) should face toward the nearest drainage system. If applicable, attach a 1" drain line to the end and connect it to the subsurface drainage system (designed and installed by others).

Step 3

Center the access frame around the ground sleeve or base plate and install by pushing the anchor bolts down into the wet concrete. The bottom face of the flange should be flush with the concrete surface. (See associated football elevation detail drawing.)



Step 4

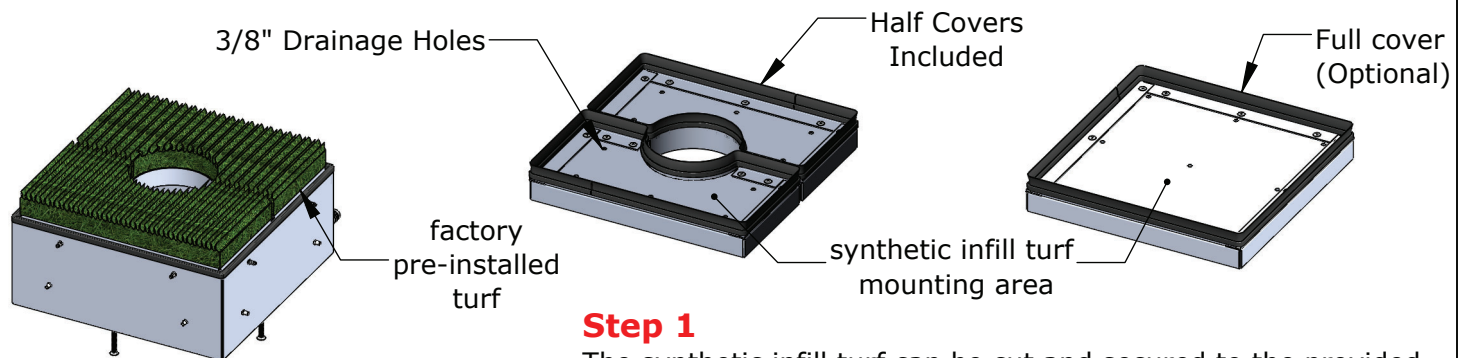
The synthetic infill turf can be cut and secured to the provided infill turf attachment ledge. Synthetic turf and attachment method provided by others.

Step 5

Allow concrete to cure before installing football goal post.

ITEM NO.	QTY.	SAP Part Number	DESCRIPTION
1	4	110-FLW-0005	3/8 S.S. FLAT WASHER
2	4	110-SLW-0006	3/8-16 S. S. Lock Washer
3	8	107-HXN-0020	3/8-16 STAINLESS STEEL HEX NUT
4	4	101-CAB-0004	3/8-16 x 4.00" L, Carriage Bolt, SS
5	1	PURCHP-0158	Adapter, Male

Preparing the Covers



Step 1

The synthetic infill turf can be cut and secured to the provided covers. Synthetic turf and attachment method provided by others.

GPAFNG
Natural Grass Application

TITLE: **Football Goal Post
GPAFIT/GPAFNG Access Frame**

DWG NO:

ID-00012

SHEET 1 OF 1

Step 1

Remove base plate mounting kit hardware (reference ID-00020).

Step 2

Install gooseneck onto the base plate mounting kit.

Step 3

Re-install base plate mounting kit hardware and tighten.

Step 4

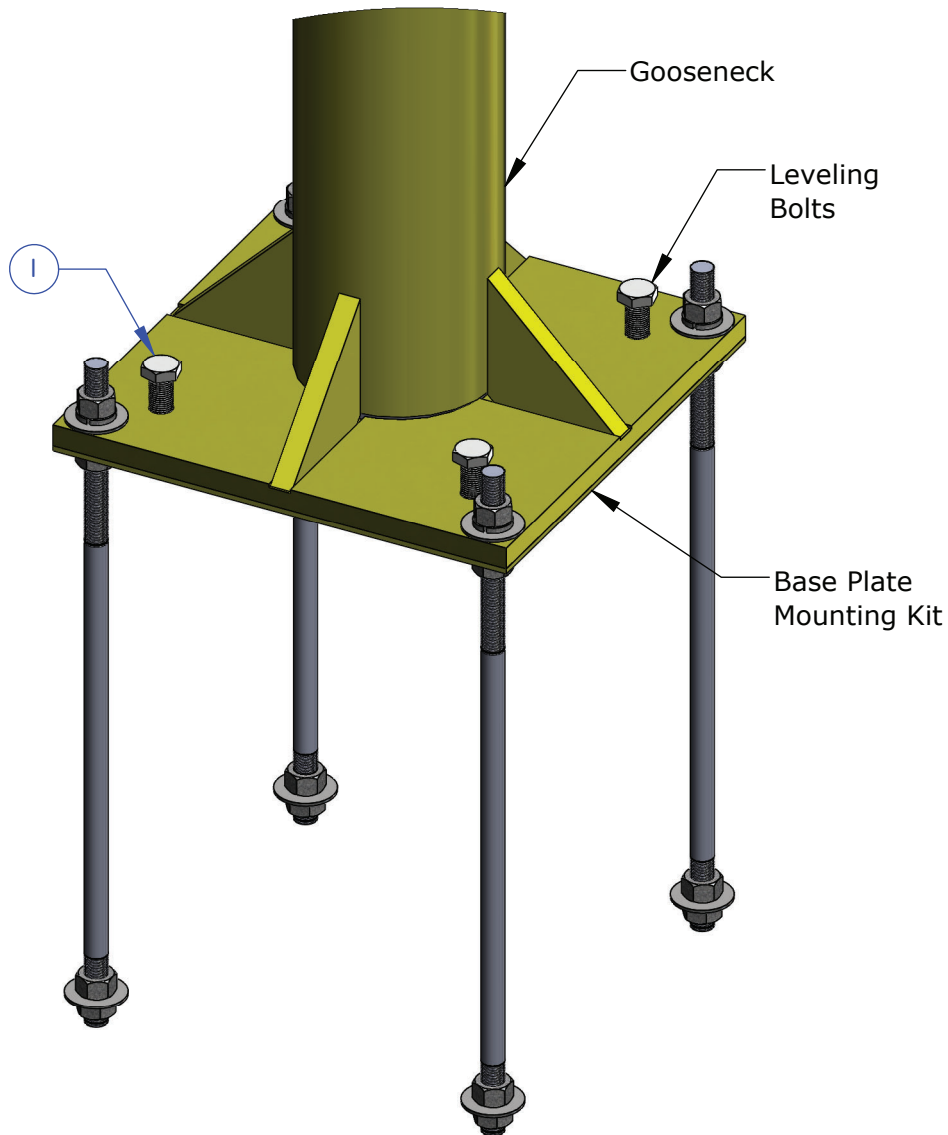
Thread the (4) leveling bolts (Item #1) into the pre-threaded holes until the bottom side of the bolt comes into contact with the steel plate below.

Step 5

Verify the gooseneck is plumb. Adjust the leveling bolts and anchor hardware as needed.

Step 6

Tighten all hardware when plumb.



ITEM NO.	QTY.	SAP Part Number	DESCRIPTION
1	4	100-HHC-0043	3/4-10 x 2" A307 Steel Hex Head Bolt w/Magni 560 Coating

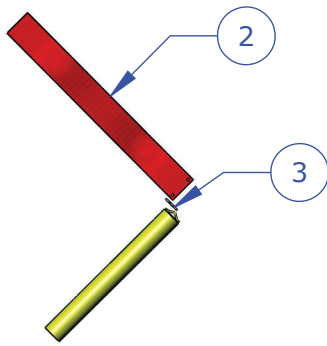
TITLE:
Plate Mount Gooseneck Installation

DWG NO:
ID-00015

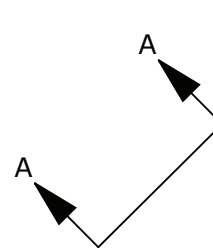
SHEET 1 OF 1

Step 1

Install the directional flags onto the top of the upright using supplied spring hooks.



SECTION VIEW A-A



Step 2

Insert the crossbar into the gooseneck and rotate the crossbar as shown to facilitate upright installation.

Important Note:

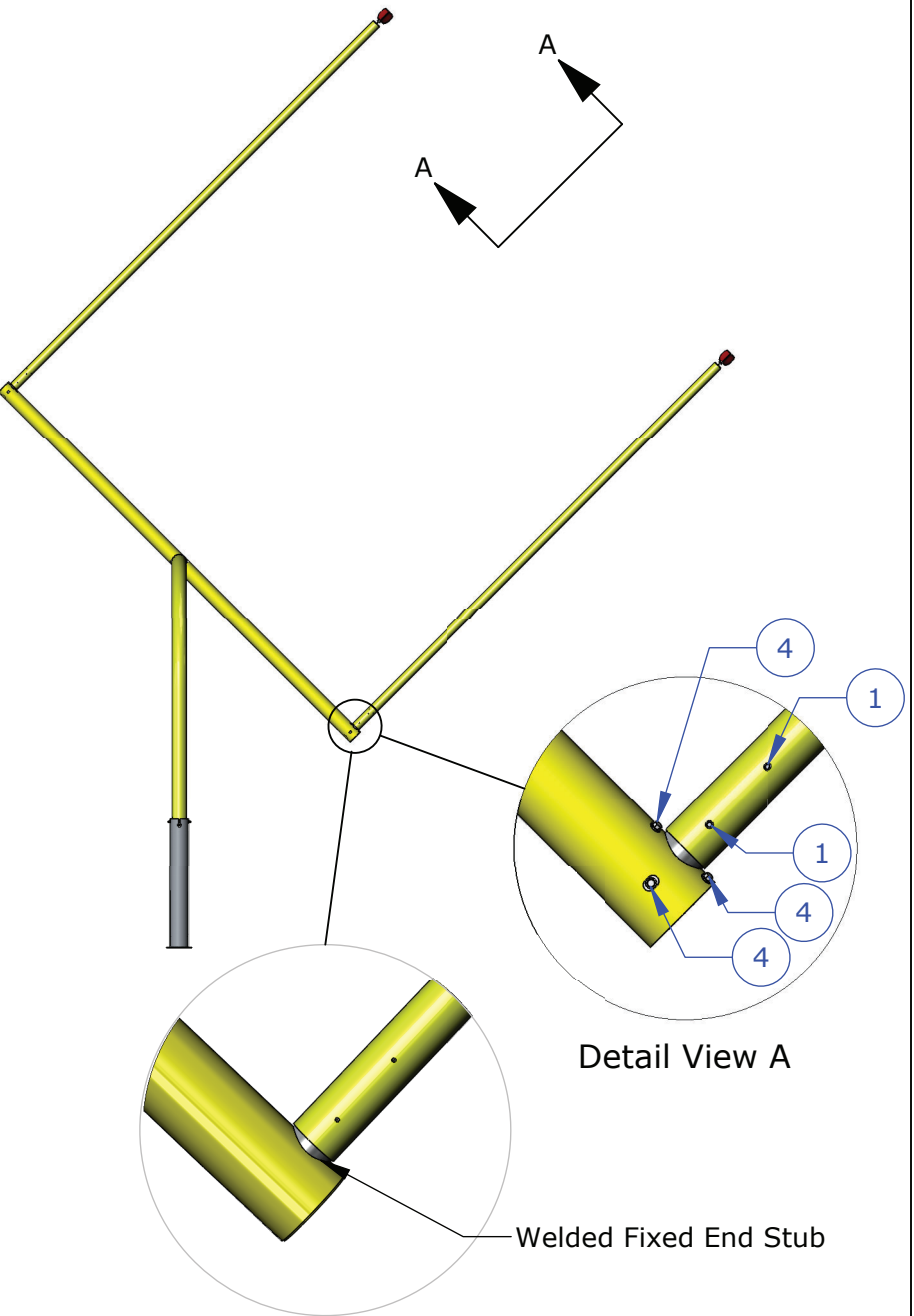
Do not install any crossbar to gooseneck hardware at this time, crossbar will need to be manually held in place during the entire upright installation. do not allow crossbar to over-rotate, allowing upright to hit the ground.

Step 3

Install the uprights onto the stub using the 1/4" serrated flange hex bolts (Item #1). Tighten the hardware connecting the upright to the stub.

Step 4

Per Detail View A, Install the Adjustright® hardware (Item #4) and hand tighten only at this time. For models with 35' uprights, please see Detail View B.



Detail View A

Welded Fixed End Stub

Detail View B for 35' Uprights

Step 5

After installing the first upright, rotate the crossbar bar to the opposite side to facilitate installation of the remaining upright. After both uprights are installed, rotate the crossbar assembly to its final level position.

ITEM NO.	QTY.	SAP Part Number	DESCRIPTION
1	4	100-HWH-0001	1/4-20 x 1" Hex Washer Head with serrated flange, Grade 5, Fully Threaded
2	2	GPDSTRGPT	Directional Flag
3	2	PURCHP-0097	3/16" Spring Hook-No Eye 304 SS
4	6	100-HWH-0002	3/8-16 x 1" Hex Washer Head with serrated flange, Grade 5, Fully Threaded

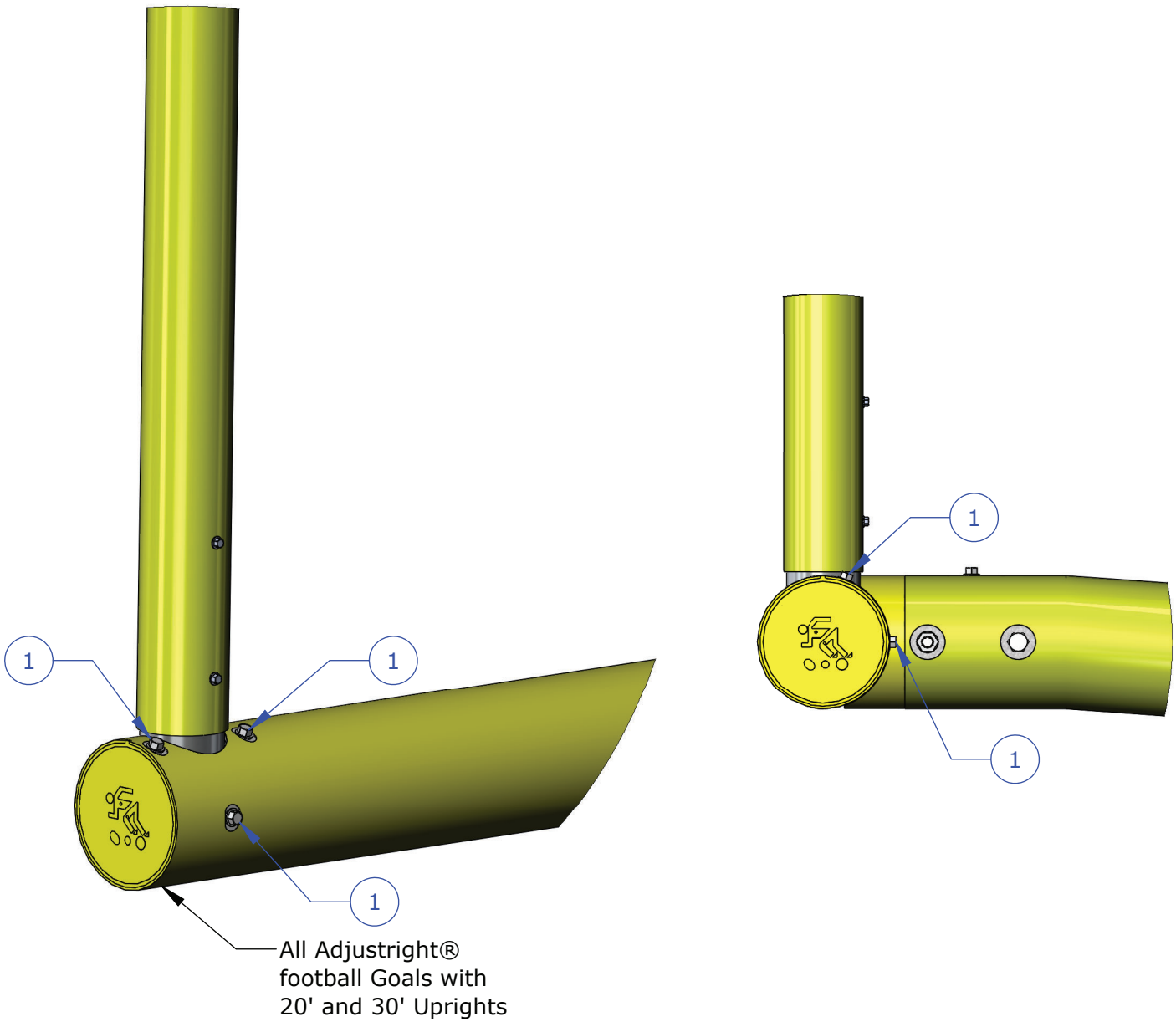
TITLE:

Football Goal Post Upright Installation

DWG NO:

ID-00011

SHEET 1 OF 1



Step 1

Position the level vertically on the upright. Move the upright back and forth utilizing the AdjustRight® stub adjustment feature until upright is plumb and tighten the 3/8" serrated flange bolts (Item # 1) by hand, making sure to maintain upright position.

Step 2

Double check the upright for plumb and tighten the 3/8" serrated flange hex bolts (Item # 1) with a hand torque wrench set to 55 ft-lbs.

Important Note:

Do not exceed 55 ft-lbs, Failure to complete this step will allow uprights to fall out of alignment.

ITEM NO.	QTY.	SAP Part Number	DESCRIPTION
1	6	100-HWH-0002	3/8-16 x 1" Hex Washer Head with serrated flange, Grade 5, Fully Threaded

TITLE: **Football Goal Post
AdjustRight® Upright Adjustment**

DWG NO: **ID-00023**

SHEET 1 OF 1

Step 1

Insert all hardware as shown below.
Do not tighten. (See note #1)

Step 2

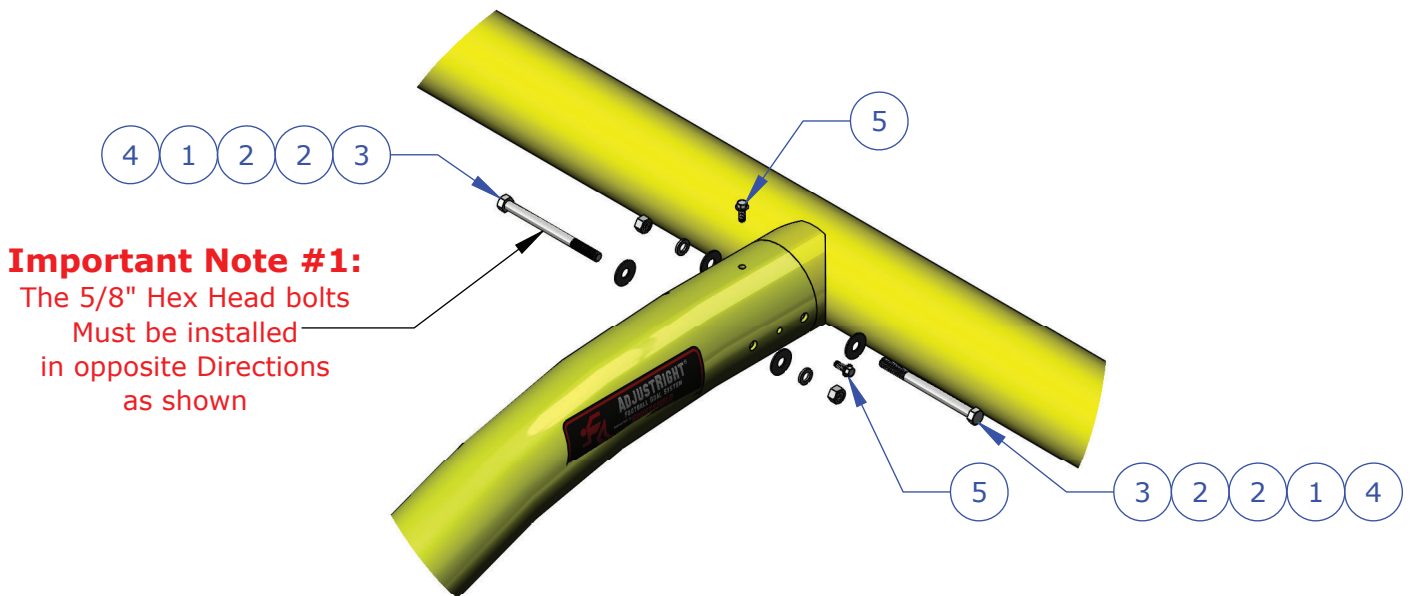
Verify that the crossbar is level,
tighten the (2) 3/8" serrated flange
hex bolts (Item #5) with hand tools.

Step 3

Tighten all remaining hardware.

Step 4

Verify that the crossbar is parallel
to the end line. Top of crossbar
must be 10' above finish grade. If
necessary, make adjustments
using leveling and/or centering
hardware at the base of the
gooseneck.



Gooseneck/Crossbar Hardware

ITEM NO.	QTY.	SAP Part Number	DESCRIPTION
1	2	111-SLW-0005	5/8 Galvanized Lock Washer
2	4	111-FLW-0005	5/8" Galvanized Steel Flat Washer
3	2	102-HHC-0014	5/8-11 GALV. Hex Head Bolt X 8.000" Long
4	2	108-HXN-0005	5/8-11 Hex Nut, Galv.
5	2	100-HWH-0002	3/8-16 x 1" Hex Washer Head with serrated flange, Grade 5, Fully Threaded

TITLE: **Football Goal Post
Crossbar to Gooseneck Installation**

DWG NO: **ID-00010**

SHEET 1 OF 1