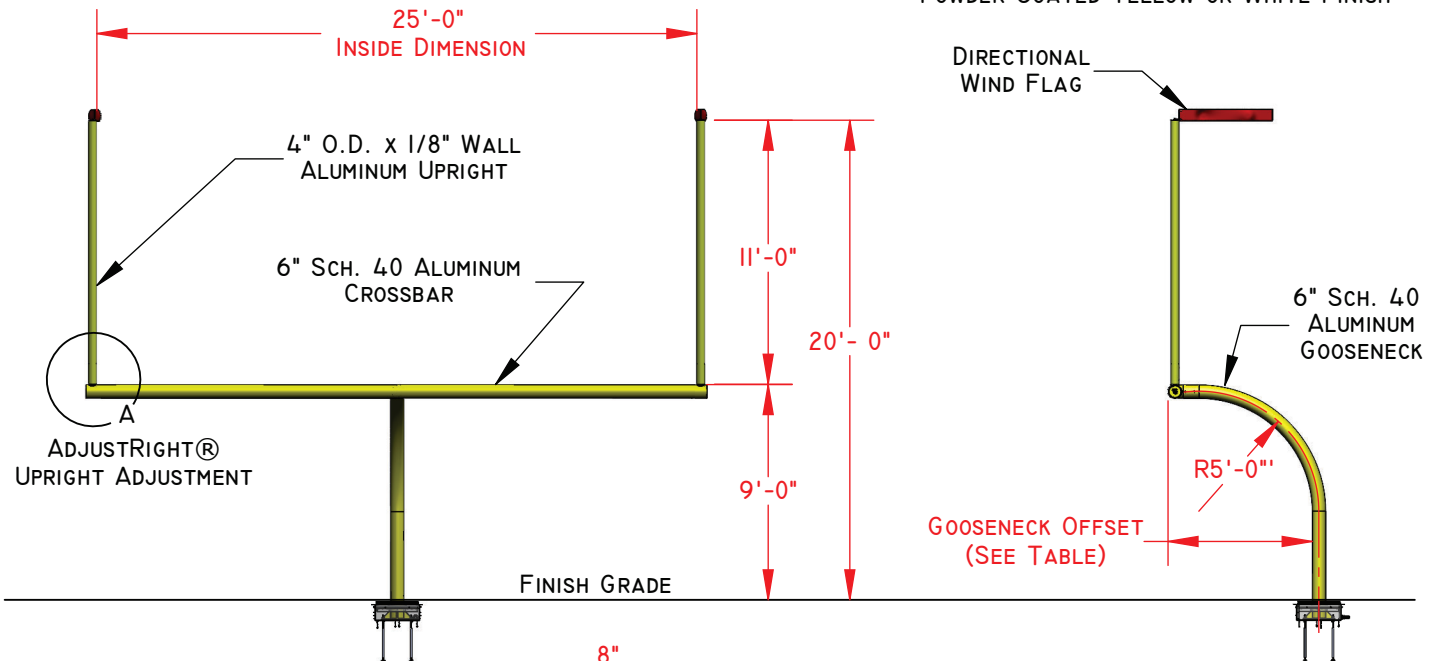


UNITED STATES PATENT #7,014,578, ISSUED MARCH 21, 2006
 UNITED STATES PATENT #7,883,432, ISSUED FEBRUARY 8, 2011
 UNITED STATES PATENT #7,914,401, ISSUED MARCH 29, 2011

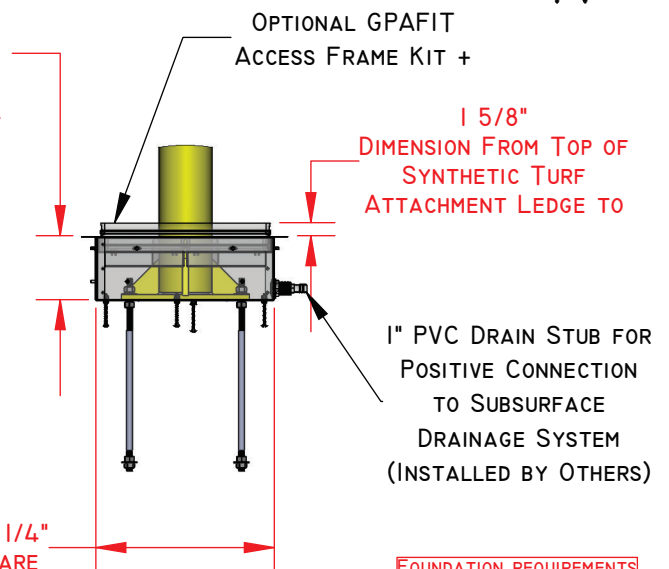
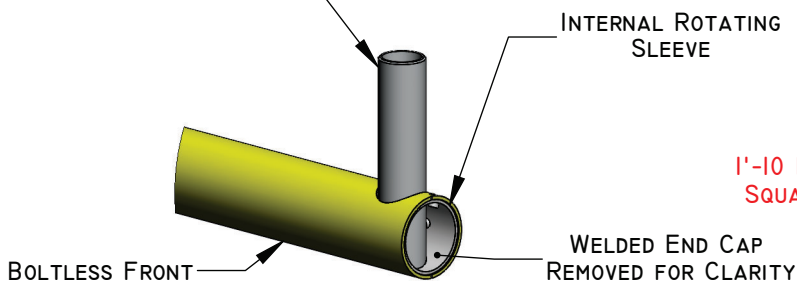
PART NO.	GOOSENECK OFFSET
GP6116MNPL	6'-0"
GP8116MNPL	8'-0"

POWDER COATED YELLOW OR WHITE FINISH



ADJUSTRIGHT®

PATENTED DESIGN FEATURE THAT ALLOWS FOR A TRUE VERTICAL ADJUSTMENT OF THE UPRIGHT WHILE STILL MAINTAINING SQUARENESS AND DISTANCE BETWEEN CROSSBAR/UPRIGHT CONNECTION WITH THE USE OF PRECISION FRICTION FIT TEXTURED SURFACES RATHER THAN LOCKING ROLL PINS.



FOUNDATION REQUIREMENTS
 BASED ON LOCAL CODES
 AND SOIL CONDITIONS

MINIMUM RECOMMENDED
 FOUNDATION DIAMETER = 3'-0"

PROPRIETARY AND CONFIDENTIAL

THE INFORMATION CONTAINED IN THIS DRAWING IS THE SOLE PROPERTY OF SPORTSFIELD SPECIALTIES INC. ANY REPRODUCTION IN PART OR AS A WHOLE WITHOUT THE WRITTEN PERMISSION OF SPORTSFIELD SPECIALTIES INC. IS PROHIBITED.

Base Plate Mount 6-Man Football Goal Post

Not To Scale

SPORTSFIELD SPECIALTIES INC 06042024