



1-888-975-3343

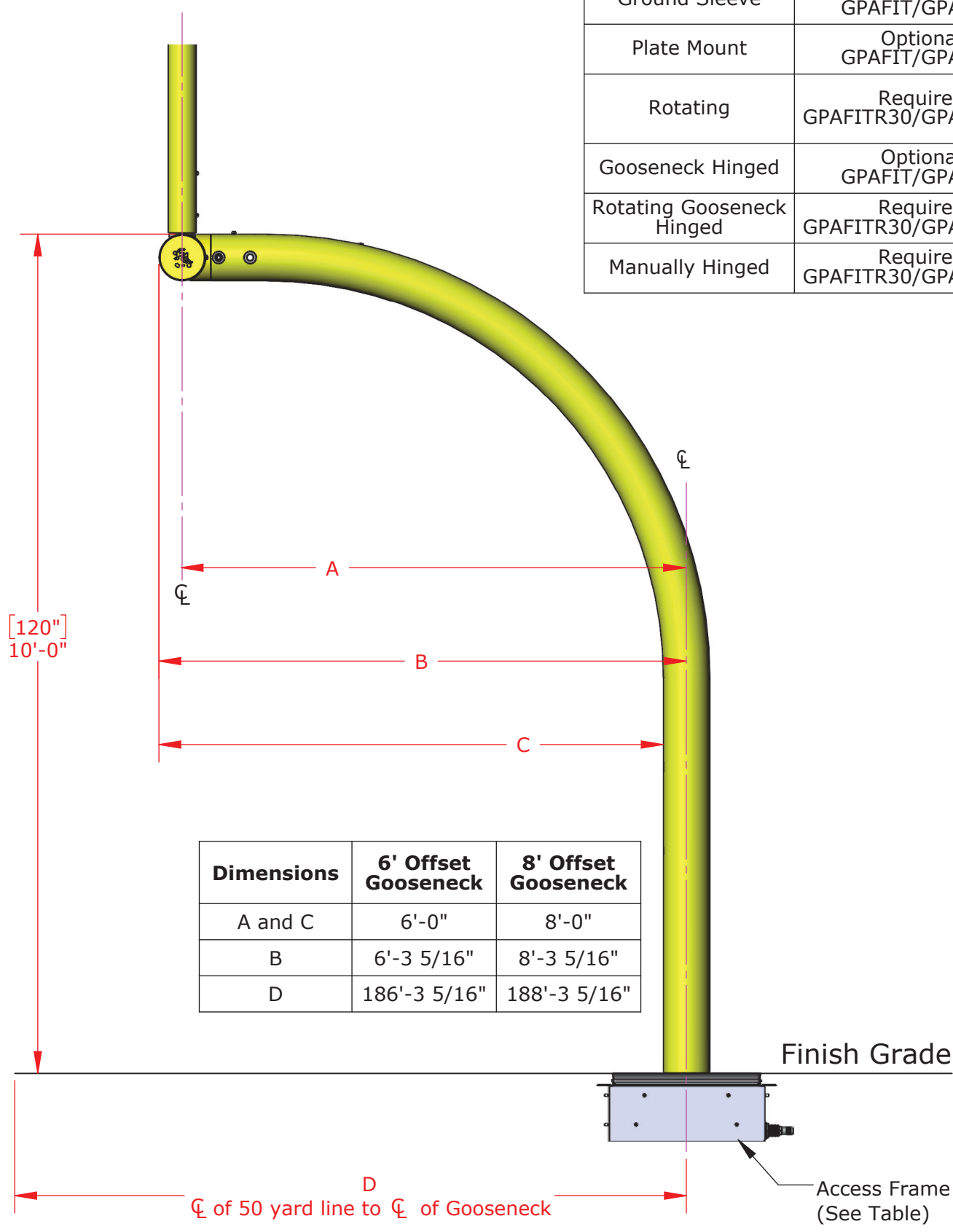
Install Instructions

Rotating Gooseneck Hinged Football Goal Posts

Product No.	Product Description
GP620COLRGH	College Football Goal Post, 6' Offset, 20' Uprights, Rotating Gooseneck Hinged
GP630COLRGH	College Football Goal Post, 6' Offset, 30' Uprights, Rotating Gooseneck Hinged
GP820COLRGH	College Football Goal Post, 8' Offset, 20' Uprights, Rotating Gooseneck Hinged
GP830COLRGH	College Football Goal Post, 8' Offset, 30' Uprights, Rotating Gooseneck Hinged
GP620HSRGH	High School Football Goal Post, 6' Offset, 20' Uprights, Rotating Gooseneck Hinged
GP630HSRGH	High School Football Goal Post, 6' Offset, 30' Uprights, Rotating Gooseneck Hinged
GP820HSRGH	High School Football Goal Post, 8' Offset, 20' Uprights, Rotating Gooseneck Hinged
GP830HSRGH	High School Football Goal Post, 8' Offset, 30' Uprights, Rotating Gooseneck Hinged
GP620ADJRGH	Adjustable Football Goal Post, 6' Offset, 20' Uprights, Rotating Gooseneck Hinged
GP630ADJRGH	Adjustable Football Goal Post, 6' Offset, 30' Uprights, Rotating Gooseneck Hinged
GP820ADJRGH	Adjustable Football Goal Post, 8' Offset, 20' Uprights, Rotating Gooseneck Hinged
GP830ADJRGH	Adjustable Football Goal Post, 8' Offset, 30' Uprights, Rotating Gooseneck Hinged
GP835COLRGH	College Football Goal Post, 8' Offset, 35' Uprights, Rotating Gooseneck Hinged
GP835HSRGH	High School Football Goal Post, 8' Offset, 35' Uprights, Rotating Gooseneck Hinged

Football Goal Post Placement.....	ID-00001
Base Plate Mounting Kit.....	ID-00020
Rotating Football Goal Post Elevation.....	ID-00004
GPAFITR30/GPAFN30 Access Frame Installation.....	ID-00013
Rotating Football Goal Post Gooseneck Installation.....	ID-00016
Gooseneck Hinged Crossbar Installation.....	ID-00256
Gooseneck Hinged Gooseneck Installation.....	ID-00257
Gooseneck Hinged Upright Installation.....	ID-00258
AdjustRight® Upright Adjustment.....	ID-00023
Adjustable Crossbar Positioning.....	ID-00022
Gooseneck Hinged Hydraulic Pack Installation.....	ID-00259
Gooseneck Hinged Hydraulic Fluid Installation.....	ID-00341
Rotating Football Goal Post Operation.....	ID-00027
Gooseneck Hinged Operation Instructions.....	ID-00167

Goal Post Version	Access Frames
Ground Sleeve	Optional GPAFIT/GPAFNG
Plate Mount	Optional GPAFIT/GPAFNG
Rotating	Required GPAFITR30/GPAFN30
Gooseneck Hinged	Optional GPAFIT/GPAFNG
Rotating Gooseneck Hinged	Required GPAFITR30/GPAFN30
Manually Hinged	Required GPAFITR30/GPAFN30



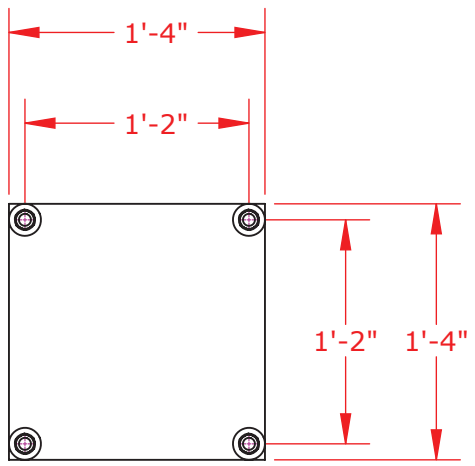
Dimensions	6' Offset Gooseneck	8' Offset Gooseneck
A and C	6'-0"	8'-0"
B	6'-3 5/16"	8'-3 5/16"
D	186'-3 5/16"	188'-3 5/16"

TITLE: **Football Goal Post Field Placement**

DWG NO: **ID-00001**

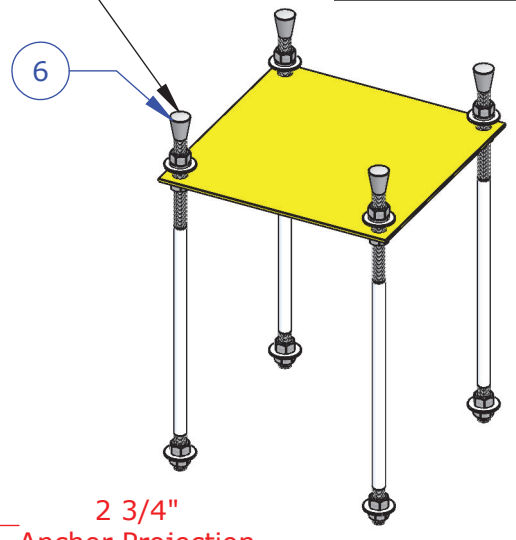
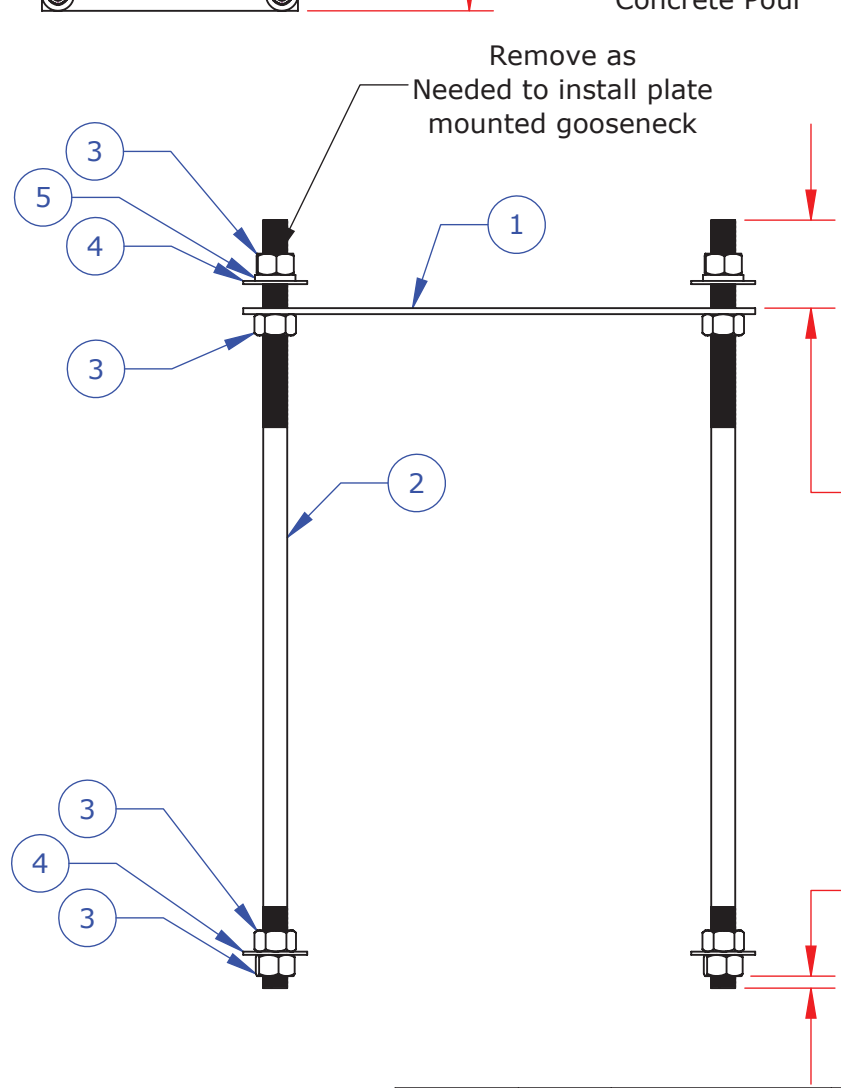
SHEET 1 OF 1

Goal Post Version
Plate Mount
Rotating
Gooseneck Hinged
Rotating Gooseneck Hinged



Plastic Caps
Provided to Protect
Anchors during
Concrete Pour

Remove as
Needed to install plate
mounted gooseneck

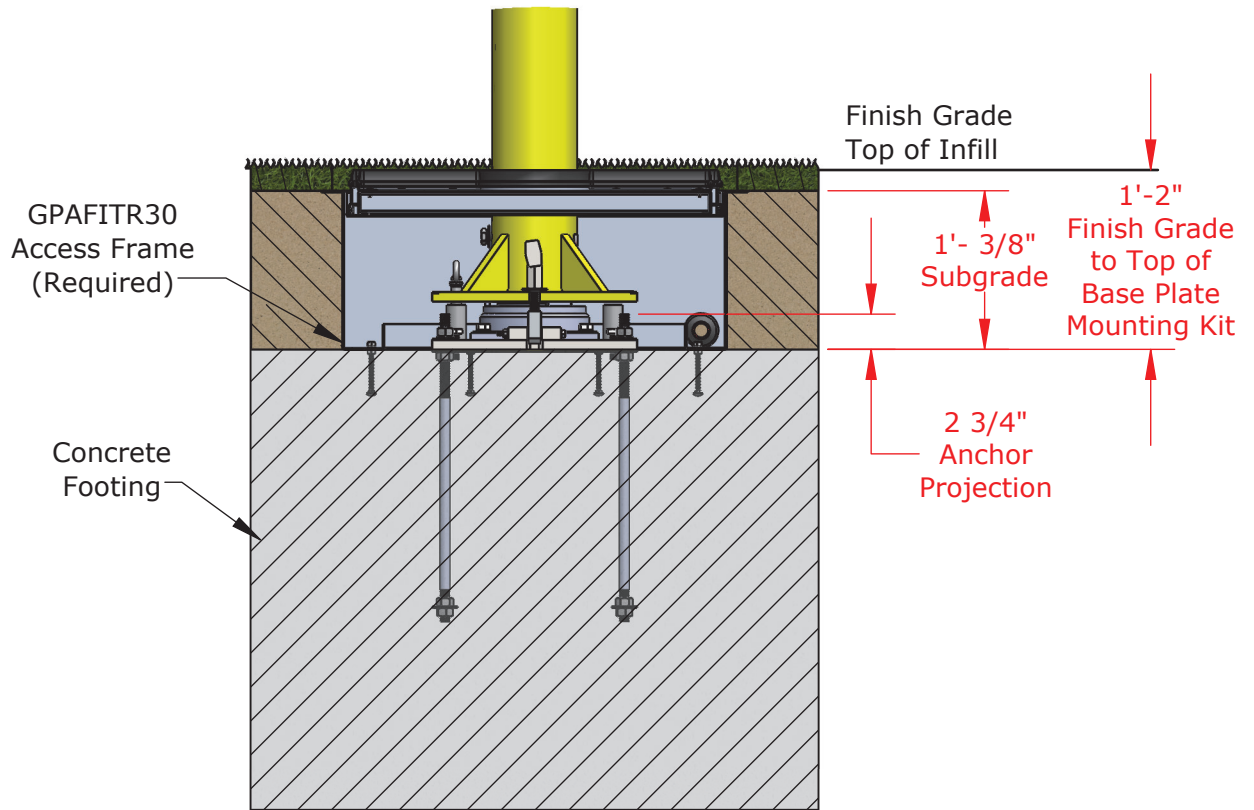


ITEM NO.	QTY.	SAP Part Number	DESCRIPTION
1	1	E-1000-0079	Mounting Plate, Steel, 7 Gauge, 16" x 16", Four 0.875" Holes
2	4	PURCHP-0680	3/4-10X24" ANCHOR BOLT, Galvanized
3	16	108-HXN-0003	3/4-10 Galvanized Hex Nut
4	8	111-FLW-0003	3/4 Galv. FLAT WASHER
5	4	111-SLW-0003	3/4-10 Galvanized Lock Washer
6	4	PURCHP-0282	CAP, THREAD PLASTIC

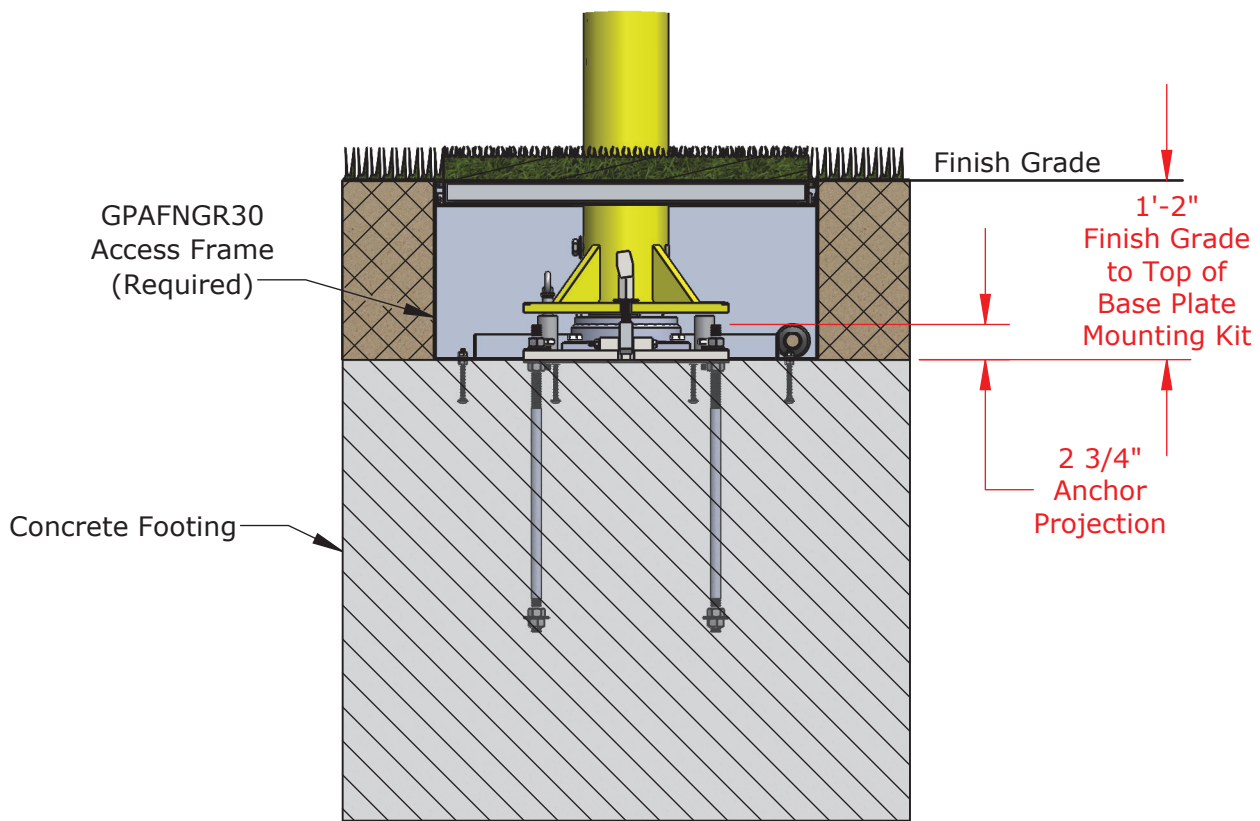
TITLE:
Base Plate Mounting Kit

DWG NO:
ID-00020

SHEET 1 OF 1



Synthetic Infill Turf Application



Natural Grass Application

TITLE: Rotating Football Goal Post Elevation

DWG NO:

ID-00004

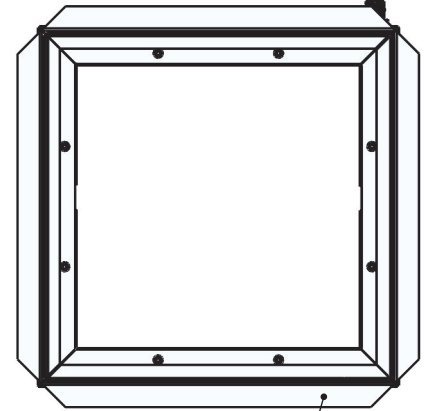
SHEET 1 OF 1

Patented Infill Retainer System

Access Frame Installation

Drain Fitting

5



Synthetic Turf Attachment Ledge

Step 1

Pre-install the eight (8) carriage bolts (Item #4) into the bottom flange of the access frame box with the heads down for anchoring into concrete.

Step 2

Position the box so the drain stub (Item #5) is facing away from the field. If applicable, attach a 1" drain line to the end and connect it to the subsurface drainage system (designed and installed by others).

Step 3

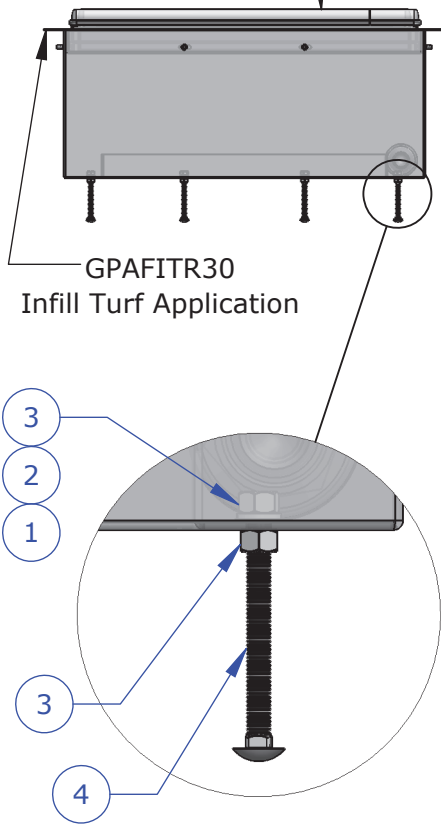
Center the access frame around the baseplate and install by pushing the anchor bolts down into the wet concrete. The bottom face of the flange should be flush with the concrete surface. (See associated football elevation detail drawing.)

Step 4

The synthetic infill turf can be cut and secured to the provided infill turf attachment ledge. Synthetic turf and attachment method provided by others.

Step 5

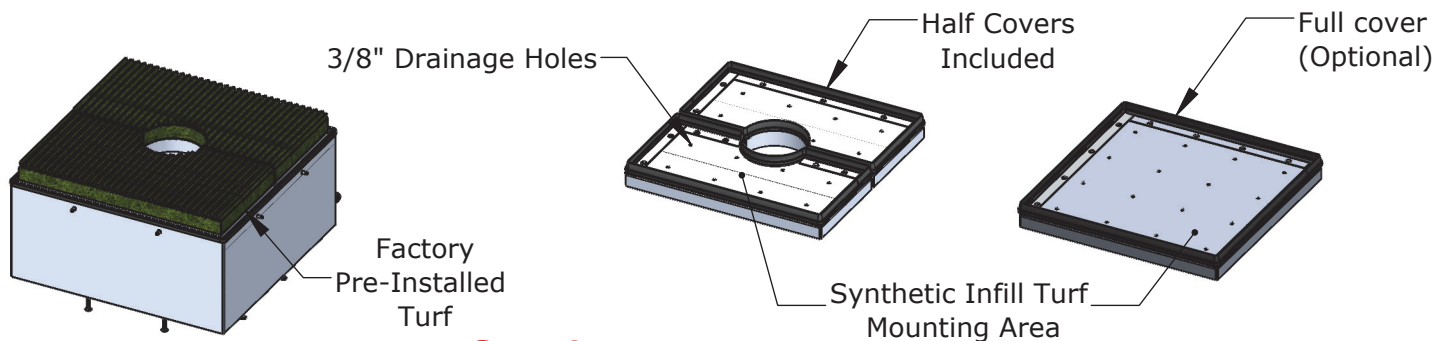
Allow concrete to cure before installing football goal post.



GPAFITR30 Infill Turf Application

ITEM NO.	QTY.	SAP Part Number	DESCRIPTION
1	8	110-FLW-0005	3/8 S.S. FLAT WASHER
2	8	110-SLW-0006	3/8-16 S. S. Lock Washer
3	16	107-HXN-0020	3/8-16 STAINLESS STEEL HEX NUT
4	8	101-CAB-0004	3/8-16 x 4.00" L, Carriage Bolt, SS
5	1	PURCHP-0158	Adapter, Male

Preparing the Covers



Factory Pre-Installed Turf

GPAFN30 Natural Grass Application

Step 1

The synthetic infill turf can be cut and secured to the provided Covers. Synthetic turf and attachment method provided by others.

TITLE: Football Goal Post
GPAFITR30/GPAFN30 Access Frame

DWG NO: ID-00013

SHEET 1 OF 1

Step 1

Remove base plate mounting kit hardware.
(reference ID-00020)

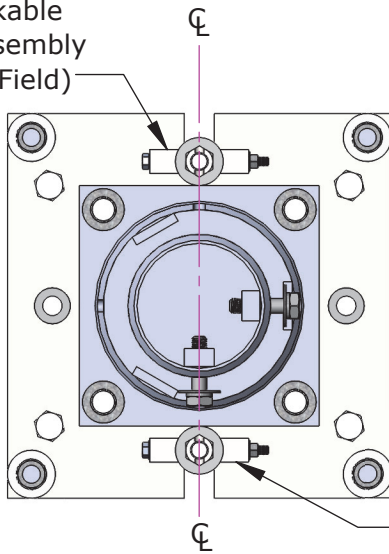
Step 2

Remove gooseneck bolts from GPR stub and
remove gooseneck from GPR assembly.

Step 3

Set GPR Assembly onto anchors with
shown centerline perpendicular to goal
line. Loosely reinstall base plate
mounting kit hardware.

Front Lockable
Hex-nut Assembly
(Closer to Field)



GPR Field Orientation

Rear Lockable
Hex-nut Assembly
(Further from Field)

Step 4

For fine adjustment, thread (4) leveling
bolts of the GPR assembly into the pre-
threaded holes until the bottom side of the
bolt meets the base plate mounting kit
below to plumb the GPR stub. Shim as
needed.

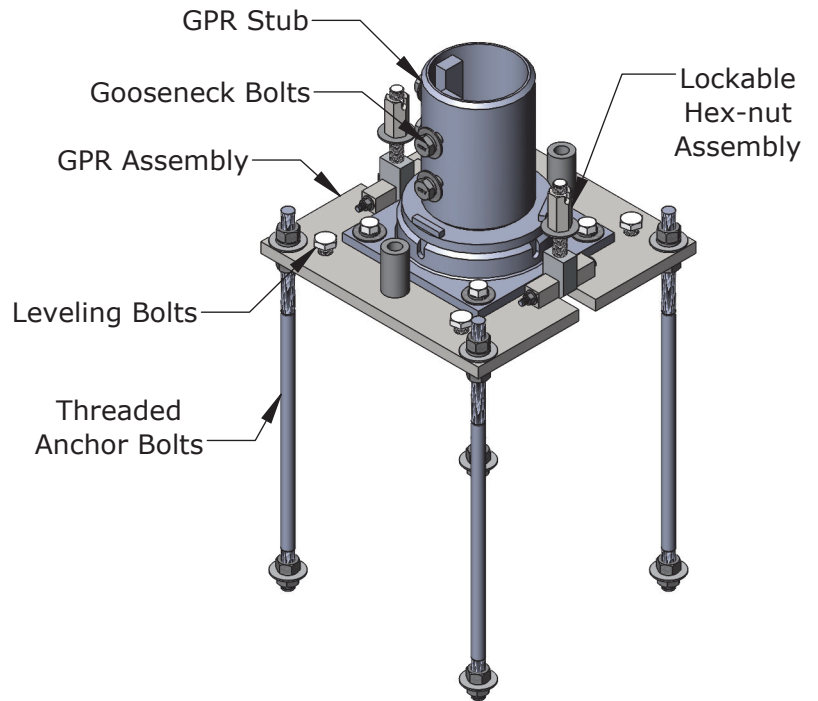
Step 5

Tighten anchor hardware before reinstalling
gooseneck onto GPR assembly.

Step 6

Starting with the rear lockable hex-nut
assembly, tighten it until gooseneck is
plumb, then tighten the front lockable
hex-nut assembly.

Caution: To avoid potential deflection of
the gooseneck base plate, do not
overtighten the lockable hex-nut assemblies



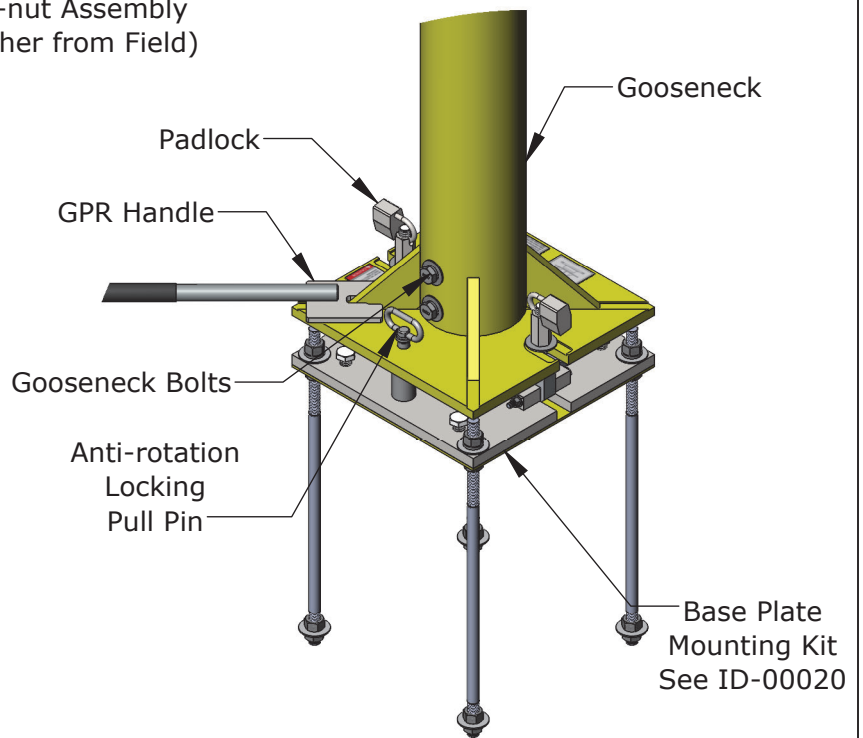
GPR Assembly without Gooseneck

Step 7

Tighten all hardware when plumb.

Step 8

Install padlocks to prevent unauthorized use.



GPR Assembly with Gooseneck

TITLE:

Rotating Football Goal Post
Gooseneck Installation

DWG NO:

ID-00016

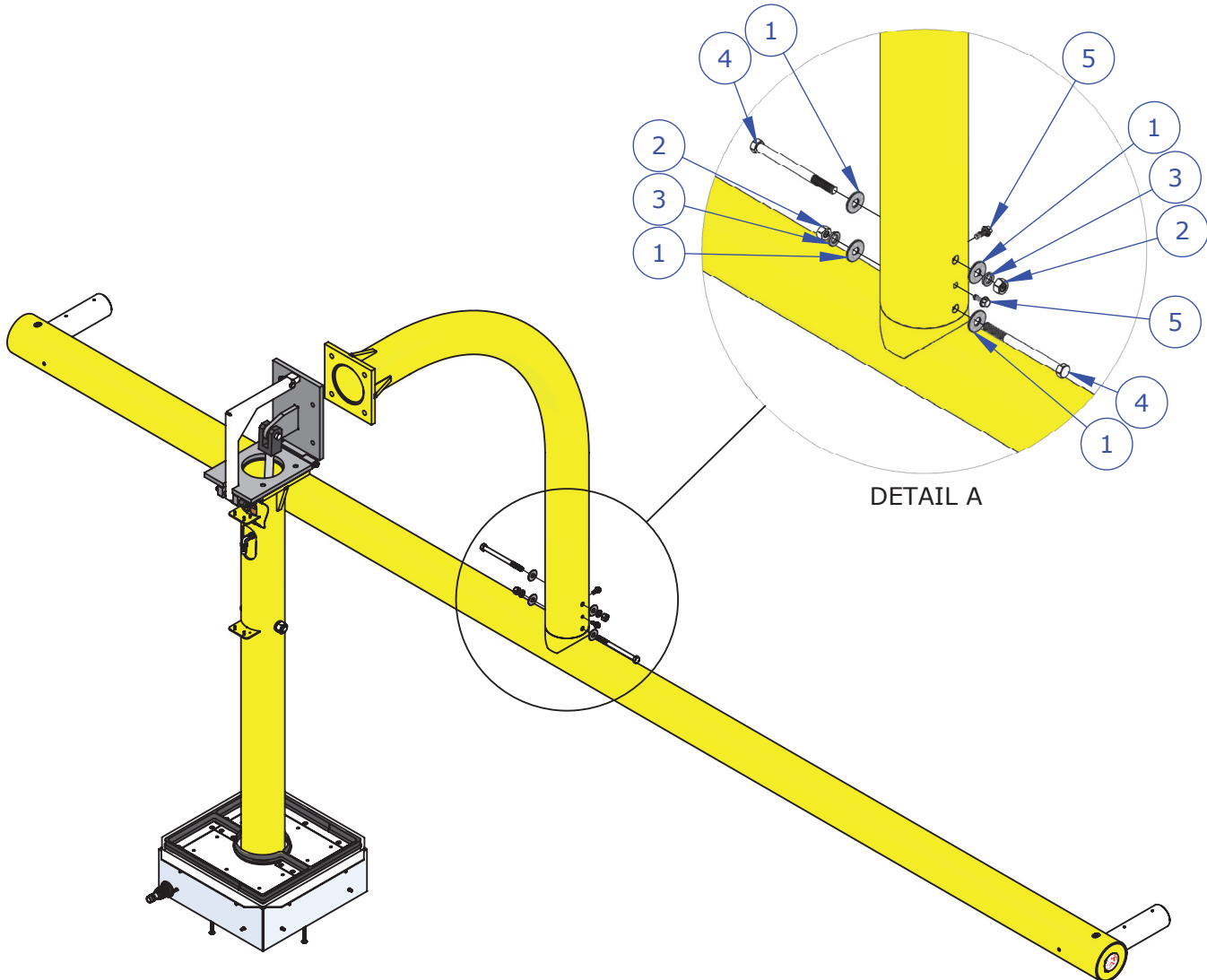
SHEET 1 OF 1

Step 1

Lay crossbar in front of lower gooseneck section so that curved gooseneck can be installed without interference.

Step 2

Slide curved gooseneck over crossbar stub and install hardware as shown in Detail A. Do not fully tighten at this time; final tightening will occur once assembly is completed, raised, and leveled.



ITEM NO.	QTY.	SAP Part Number	DESCRIPTION
1	4	111-FLW-0005	5/8" Galvanized Steel Flat Washer
2	2	108-HXN-0005	5/8-11 Hex Nut, Galv.
3	2	111-SLW-0005	5/8 Galvanized Lock Washer
4	2	102-HHC-0014	5/8-11 GALV. Hex Head Bolt X 8.000" Long
5	2	100-HWH-0002	3/8-16 x 1" Hex Washer Head with Serrated Flange

TITLE:

Gooseneck Hinged
Crossbar Installation

DWG NO:

ID-00256

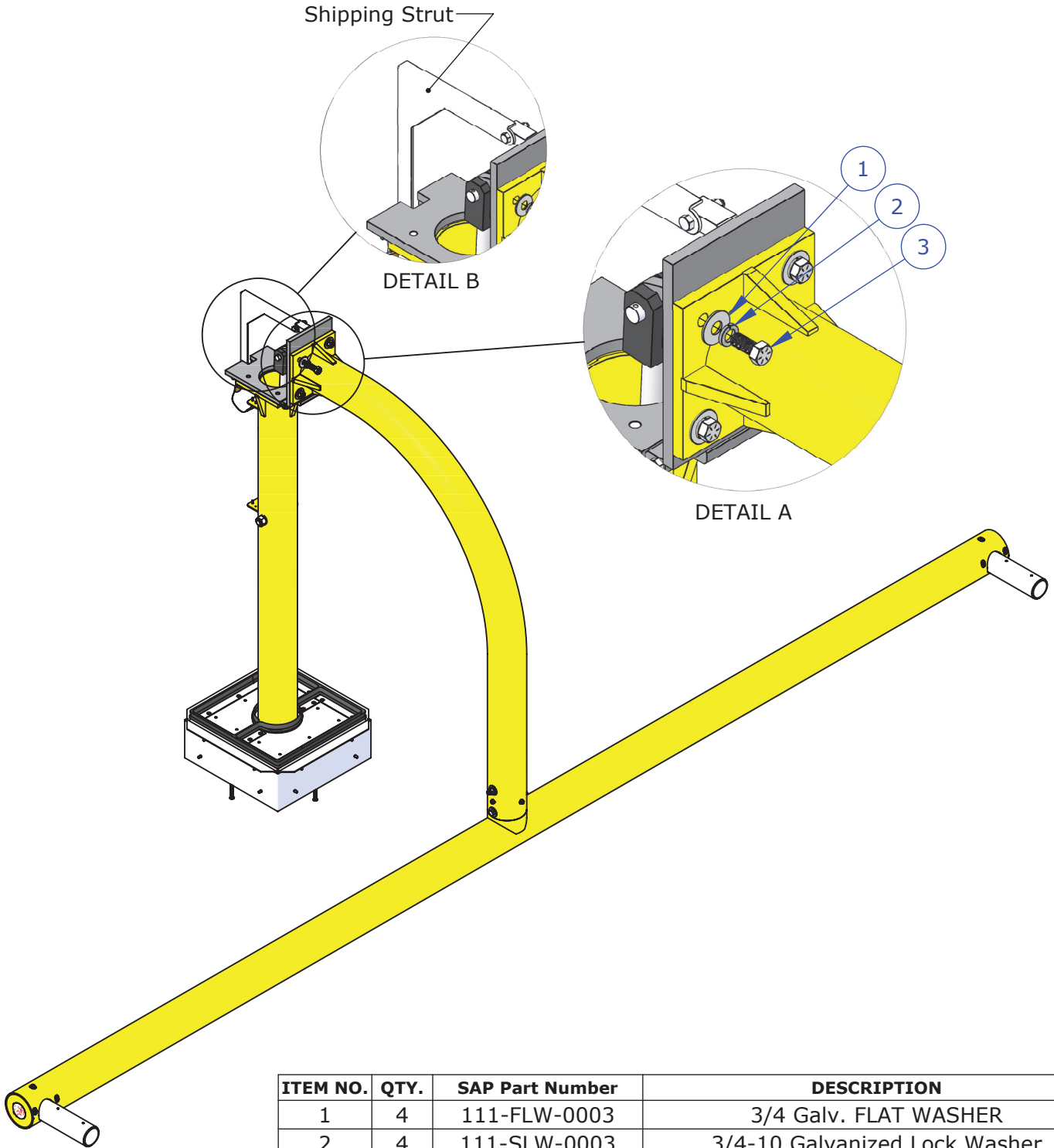
SHEET 1 OF 1

Step 1

Slide gooseneck/crossbar assembly to hinge plate, and bolt together using hardware shown in Detail A. Install all (4) bolts prior to final tightening.

Step 2

Remove shipping strut and associated hardware as shown in Detail B, and discard.



ITEM NO.	QTY.	SAP Part Number	DESCRIPTION
1	4	111-FLW-0003	3/4 Galv. FLAT WASHER
2	4	111-SLW-0003	3/4-10 Galvanized Lock Washer
3	4	100-HHC-0045	3/4-10 x 1.75" Fully Threaded Bolt, Grade 8

TITLE: **Gooseneck Hinged
Gooseneck Installation**

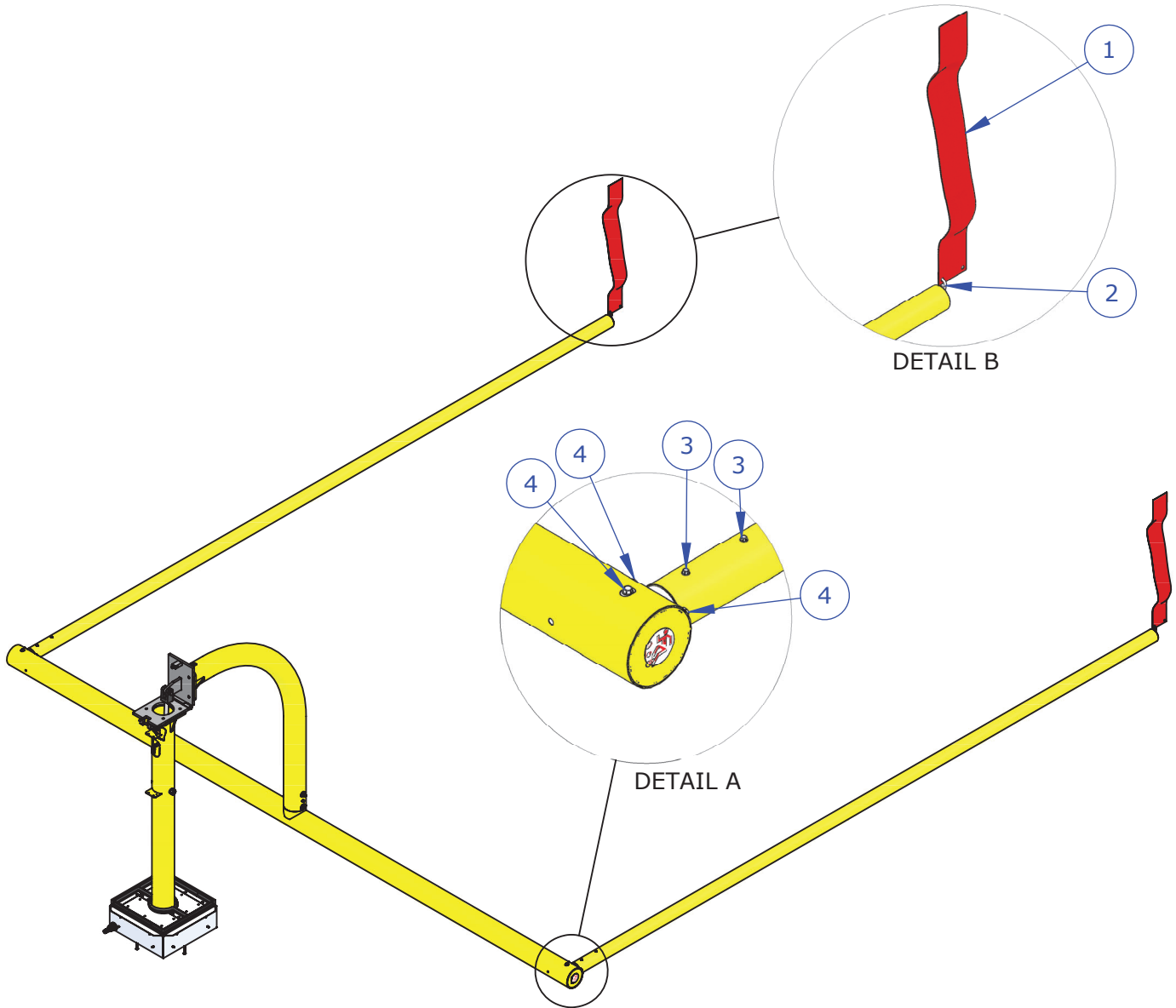
DWG NO: **ID-00257**
SHEET 1 OF 1

Step 1

Install the directional flags on the top of the uprights using supplied spring hooks as shown in Detail B.

Step 2

Slide uprights over crossbar stubs and bolt with **Item #3** as shown in Detail A. If present, install AdjustRight® hardware (**Item #4**), and hand tighten.



ITEM NO.	QTY.	SAP Part Number	DESCRIPTION
1	2	GPDSTRGPT	Directional Flag
2	2	PURCHP-0097	3/16" Spring Hook-No Eye 304 SS
3	4	100-HWH-0001	1/4-20 x 1" Hex Washer Head with Serrated Flange
4	8	100-HWH-0002	3/8-16 x 1" Hex Washer Head with Serrated Flange

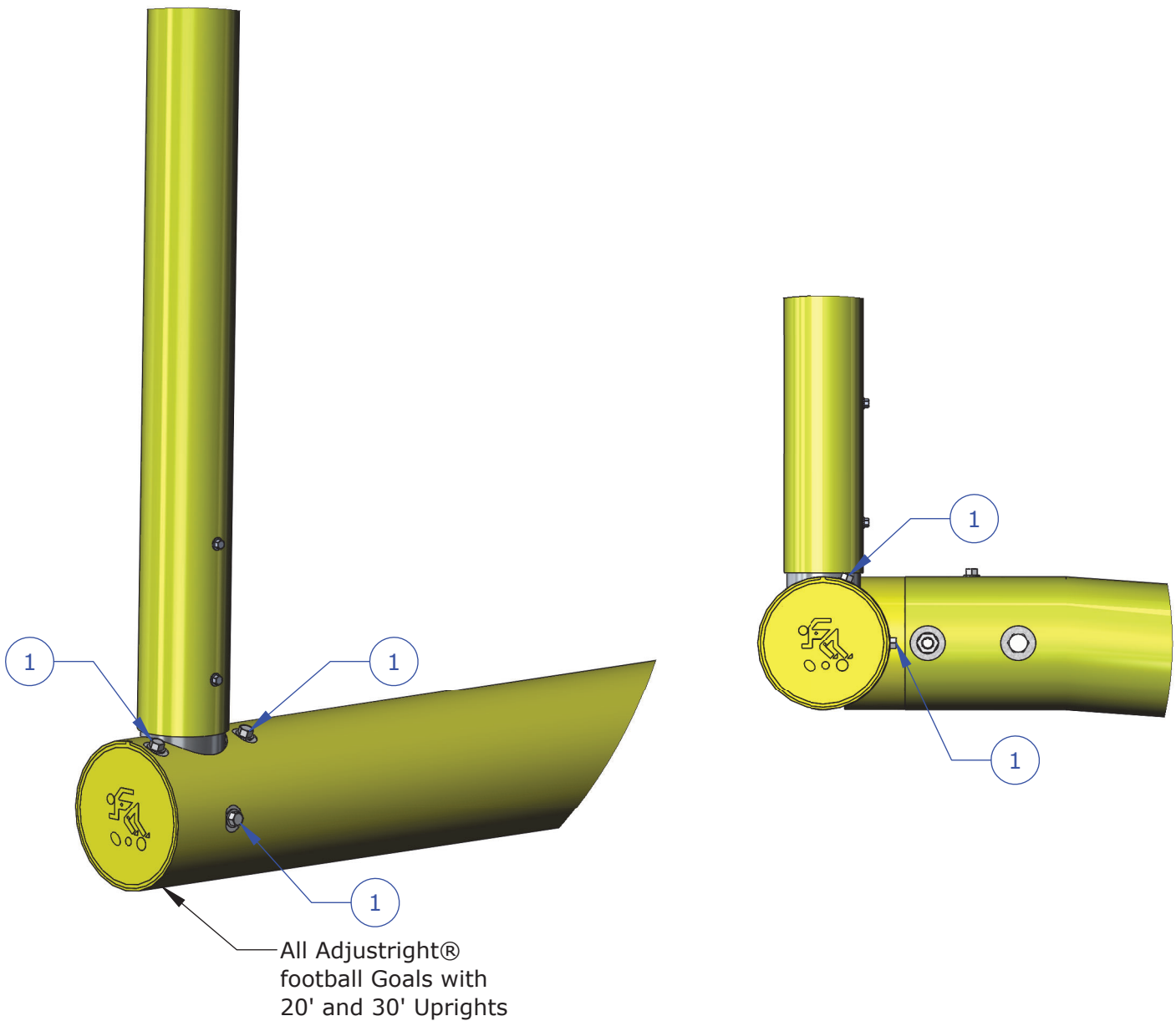
TITLE:

Gooseneck Hinged
Upright Installation

DWG NO:

ID-00258

SHEET 1 OF 1



Step 1

Position the level vertically on the upright. Move the upright back and forth utilizing the AdjustRight® stub adjustment feature until upright is plumb and tighten the 3/8" serrated flange bolts (Item # 1) by hand, making sure to maintain upright position.

Step 2

Double check the upright for plumb and tighten the 3/8" serrated flange hex bolts (Item # 1) with a hand torque wrench set to 55 ft-lbs.

Important Note:

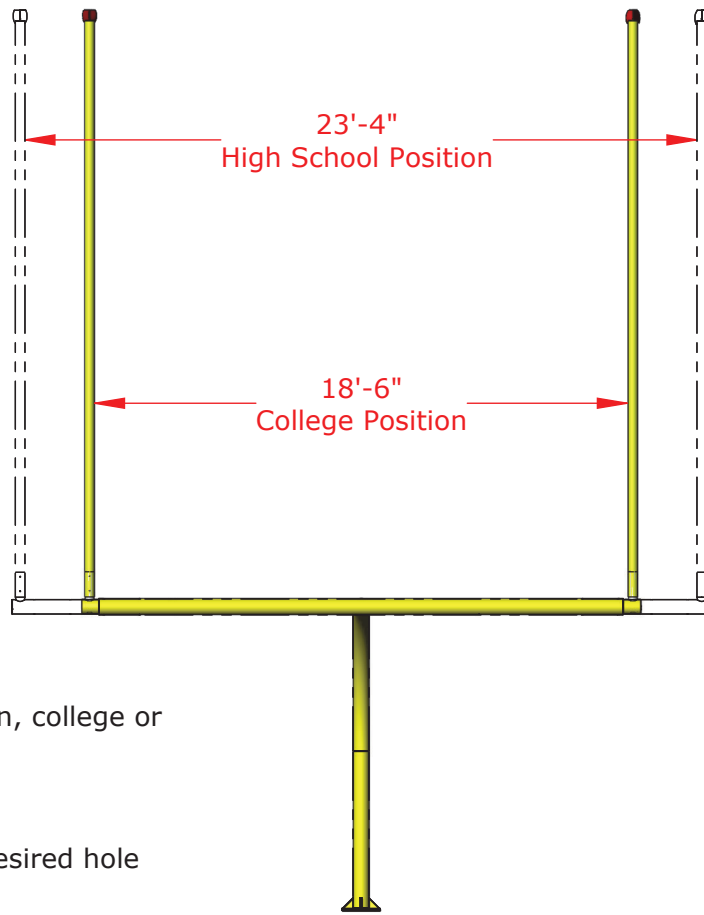
Do not exceed 55 ft-lbs, Failure to complete this step will allow uprights to fall out of alignment.

ITEM NO.	QTY.	SAP Part Number	DESCRIPTION
1	6	100-HWH-0002	3/8-16 x 1" Hex Washer Head with serrated flange, Grade 5, Fully Threaded

TITLE: **Football Goal Post
AdjustRight® Upright Adjustment**

DWG NO: **ID-00023**

SHEET 1 OF 1

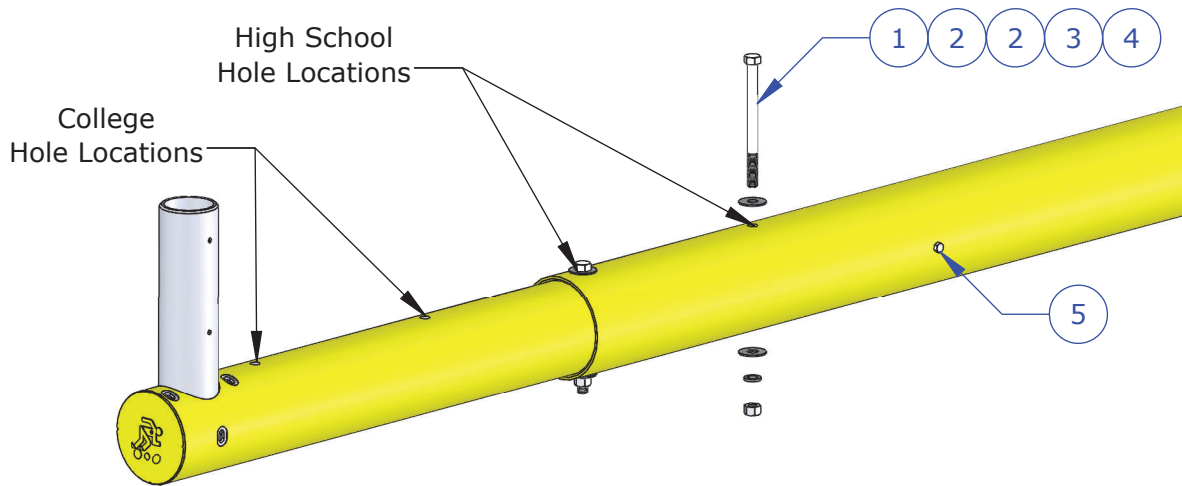


Step 1

Determine the desired position, college or high school.

Step 2

Move adjustable crossbar to desired hole location and install hardware.



ITEM NO.	QTY.	SAP Part Number	DESCRIPTION
1	4	102-HHC-0014	5/8-11 GALV. Hex Head Bolt X 8.000" Long
2	8	111-FLW-0005	5/8" Galvanized Steel Flat Washer
3	4	111-SLW-0005	5/8 Galvanized Lock Washer
4	4	108-HXN-0005	5/8-11 Hex Nut, Galv.
5	2	101-HHC-0033	3/8-16 x 1.00" Hex Head Bolt, 304 SS

TITLE: **Football Goal Post Adjustable Crossbar Positioning**

DWG NO: **ID-00022**

SHEET 1 OF 1

Step 1

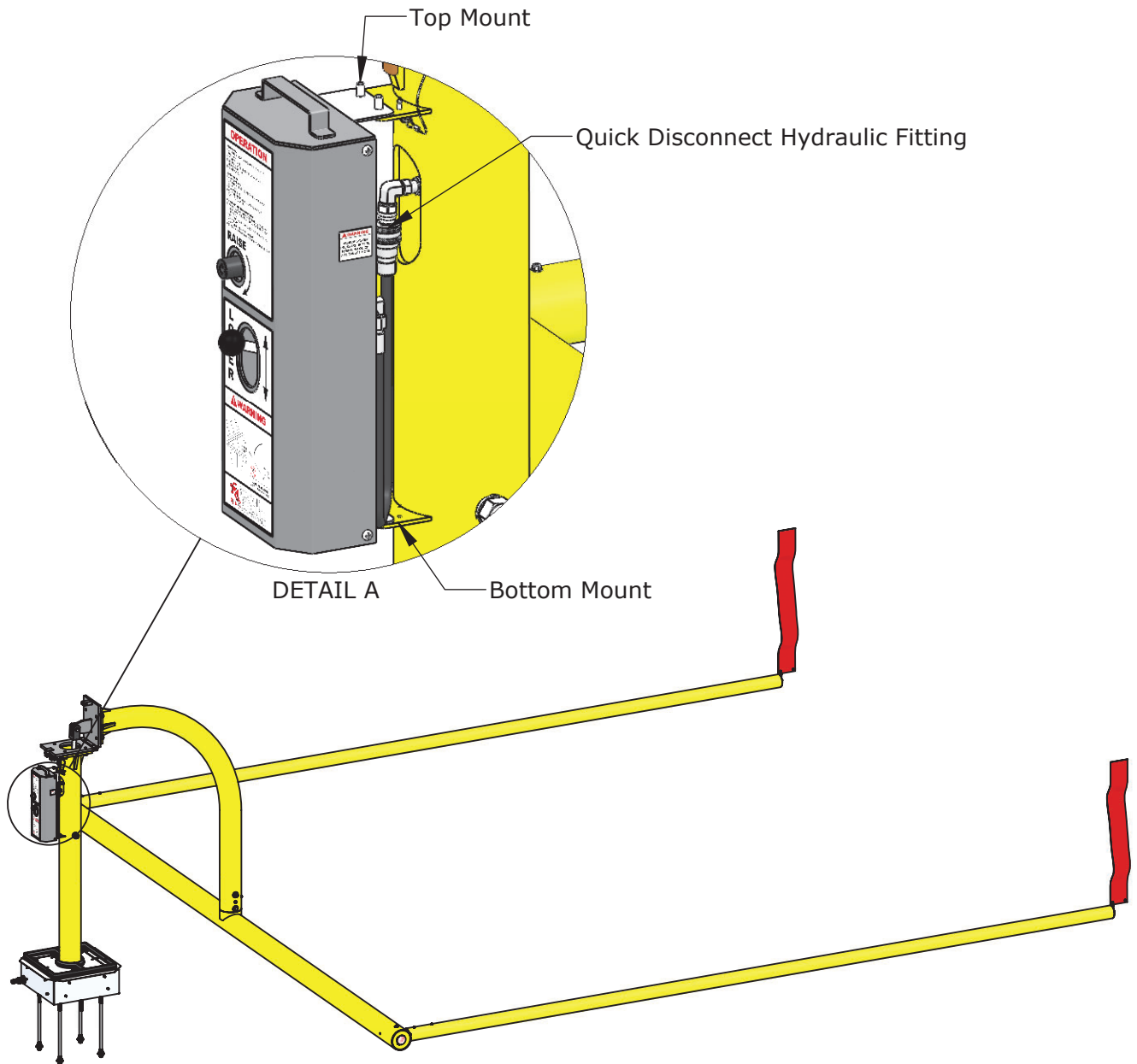
Place the hydraulic compartment over top and bottom mounts. Connect the quick disconnect hydraulic fitting from the compartment to the cylinder (Detail A).

Step 2

Using provided drill with a 3/8" square drive, raise the goal to the upright position and pin in place. Do not use an impact drill. Refer to ID-00167 (Operation Instructions) prior to operating hydraulics.

Step 3

Once raised, level the crossbar and tighten down all crossbar hardware. Verify that the crossbar is parallel to the end line, and if necessary, make adjustments at the base plate.



TITLE:

Gooseneck Hinged Hydraulic
Pack Installation

DWG NO:

ID-00259

SHEET 1 OF 1

*The Gooseneck Hinged Goal Post has been tested for functionality and residual fluid may seep.

Step 1

Be sure the goal is in Lowered Position. Use a 7/16" wrench to remove the Hydraulic Unit Cover.

Step 2

Remove the plastic Hydraulic Reservoir Vented Cap. Add (4) cups of AW-46 hydraulic fluid to reservoir.

Step 3

Replace vented cap

Step 4

Raise the goal using provided 2000 rpm drill or DeWalt, Milwaukee, Bosch or (approved equal) with a 3/8" square drive. After pressure is relieved from the system, turn Flow Control Valve clockwise until closed.

DO NOT USE an Impact Drill, it will immediately destroy the gears.
IMPORTANT: Raise goal completely until locking pin can be installed.

Note: When in the raised position, all of the hydraulic fluid will be in the cylinder. Do not check fluid levels at this time, nor add fluid when in the raised position. Doing so will lead to extensive spill and possible component failure when attempting to lower the goal thereafter. Always check fluid level when the goal is in the lowered orientation.

Step 5

Remove the pin, and crack open the Flow Control Valve slightly to begin lowering the goal at a safe desired speed. Close the valve before the hydraulic unit is removed.

WARNING: A wide open valve will cause the Goal Post to lower at an unsafe speed.

Step 6

Remove the pin, and crack open the Flow Control Valve slightly to begin lowering the goal at a safe desired speed. Close the valve before the hydraulic unit is removed.

WARNING: A wide open valve will cause the Goal Post to lower at an unsafe speed.

Step 7

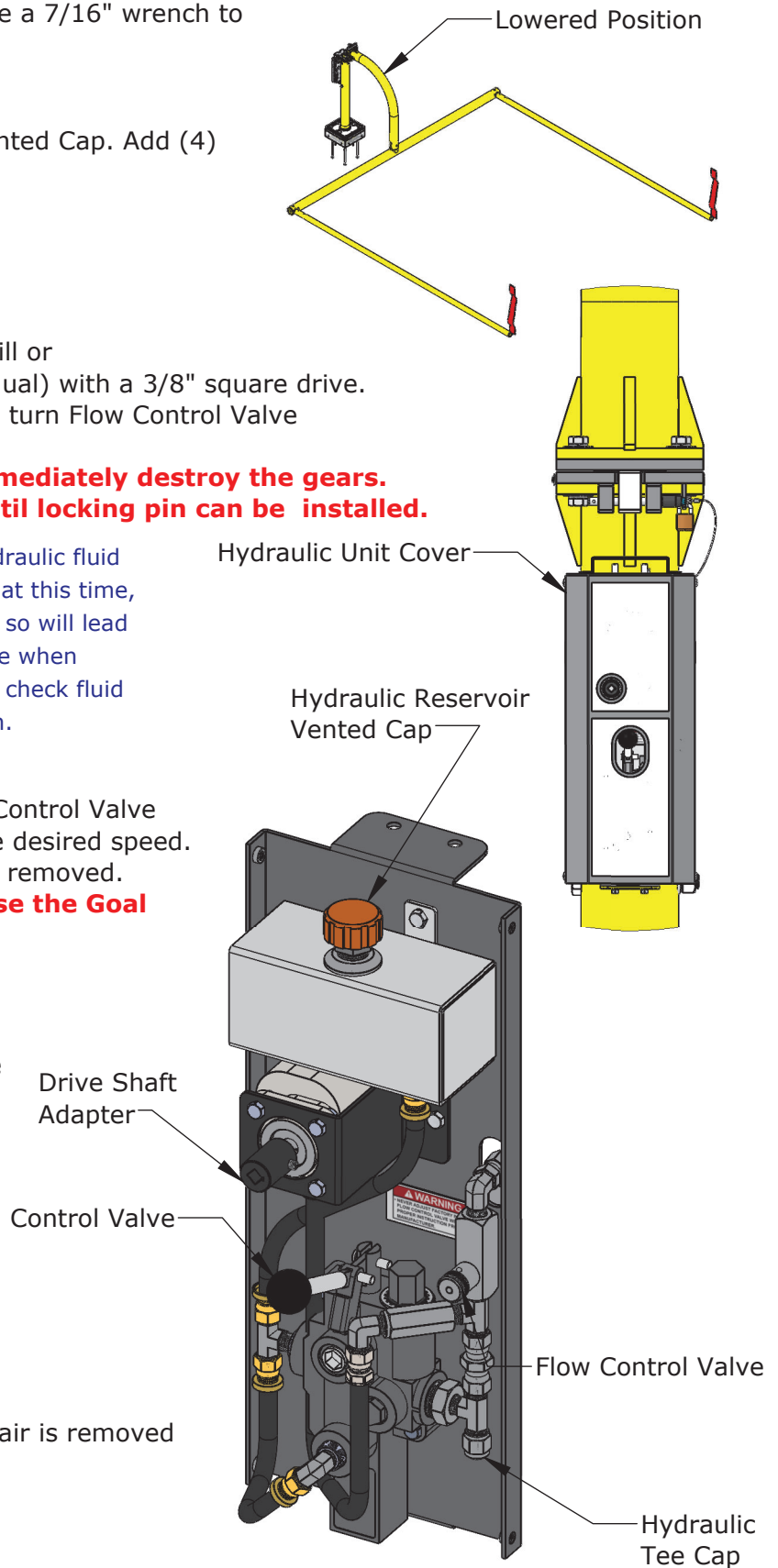
Check fluid level when goalpost is back in Lowered Position. Top off if necessary.

Step 8

Raise and lower goal once more to ensure air is removed from the system.

Step 9

Replace the Hydraulic unit cover.



TITLE:

Gooseneck Hinged
Hydraulic Fluid Installation

DWG NO:

ID-00341

SHEET 1 OF 1

Step 1

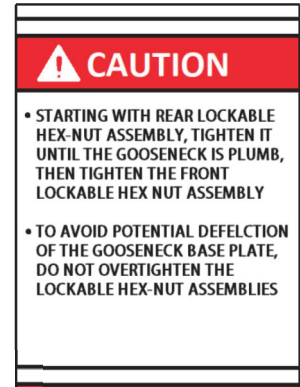
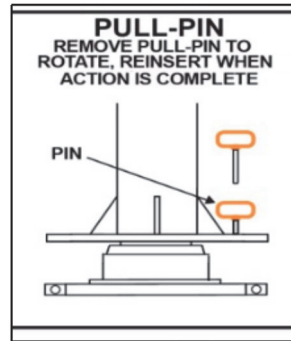
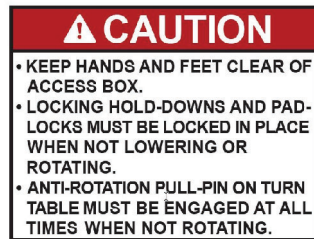
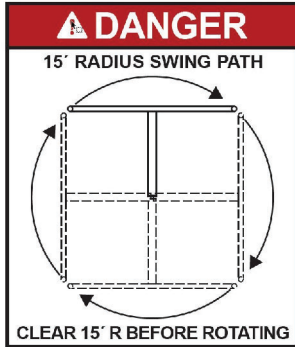
Remove the access frame covers. Unlock and remove the padlocks from the lockable hex-nut assemblies.

Step 2

Use the notched end of the GPR handle to loosen and lower the lockable hex-nut assemblies.

Caution: Both safety locking assemblies must be laying flat to prevent interference during the rotation process.

Caution: Heed all warning labels during operation



Step 3

Pull the anti-rotation locking pull pin. Using the GPR handle applied at the base of the gusset, Rotate 180° into the desired position. Replace pull pin.

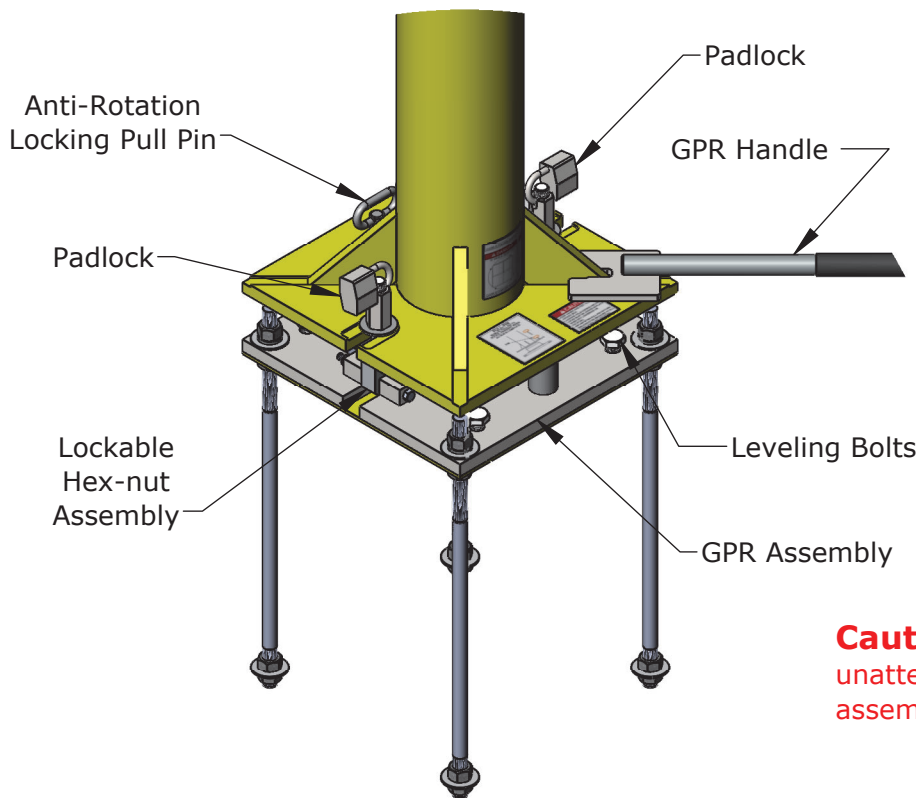
Step 4

Re-engage both lockable hex-nut assemblies by using the notched end of the handle to tighten.

Step 5

Secure the padlocks and replace the access frame covers.

Caution: The goal should never be left unattended without the lockable hex-nut assemblies securely in place.



TITLE: Rotating Football Goal Post Rotating Operation

DWG NO:

ID-00027

SHEET 1 OF 1

Lowering Goal from Raised Position

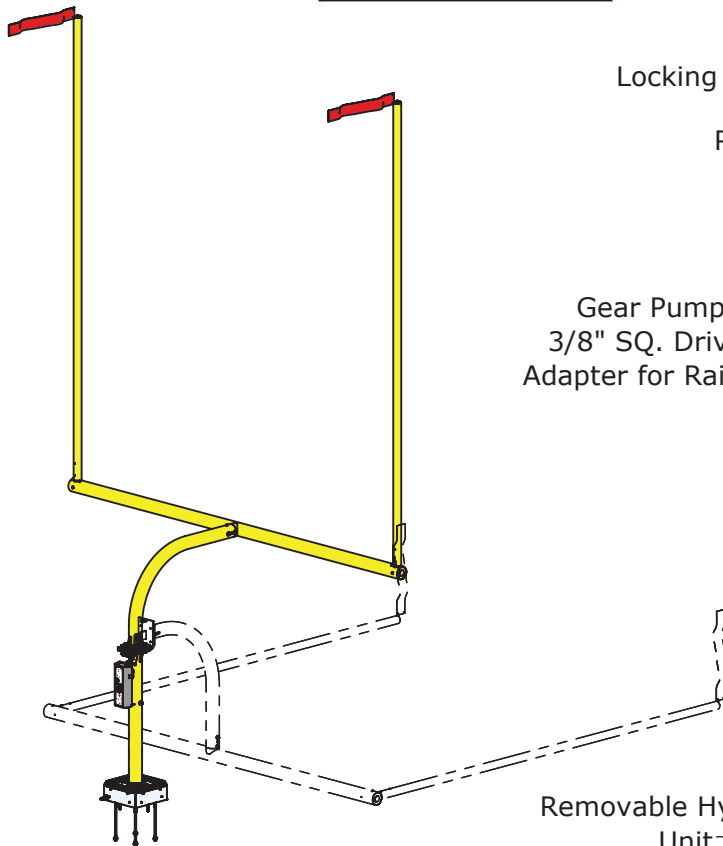
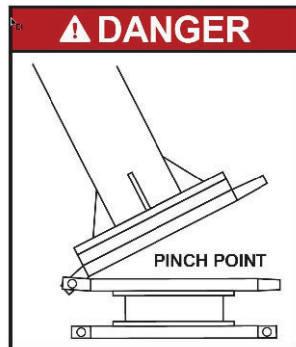
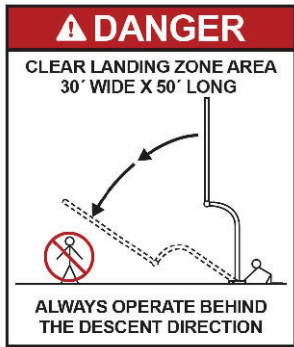
Step 1

Remove padlock, then using provided drill with a 3/8" square drive, raise goal off of locking pull pin and remove pin. Do not use an impact drill.

CAUTION: Heed all warning labels during operation

Step 2

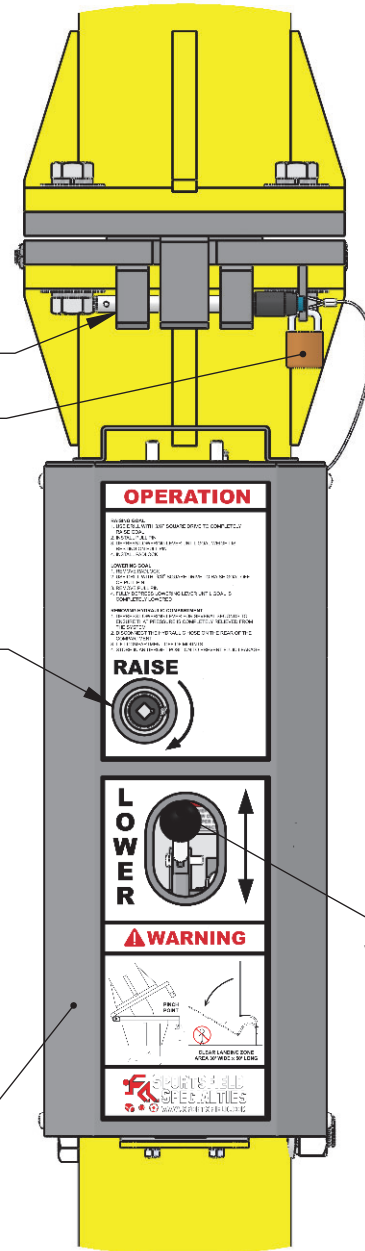
Depress control valve lever until goal rests on the ground.



Locking Pull Pin

Padlock

Gear Pump With
3/8" SQ. Drive Shaft
Adapter for Raising Goal



Raising Goal From Lowered Position

Step 1

Using provided drill with a 3/8" square drive, raise goal completely until locking pull pin can be installed. Do not use an impact drill.

Step 2

Install pin, making sure that it is completely engaged.

Step 3

Depress control valve lever until goal rests on the pull pin and the pressure is relieved from the system. Replace padlock.

TITLE:

Gooseneck Hinged
Operation Instructions

DWG NO:

ID-00167

SHEET 1 OF 2

Removing Hydraulic Compartment From Goal

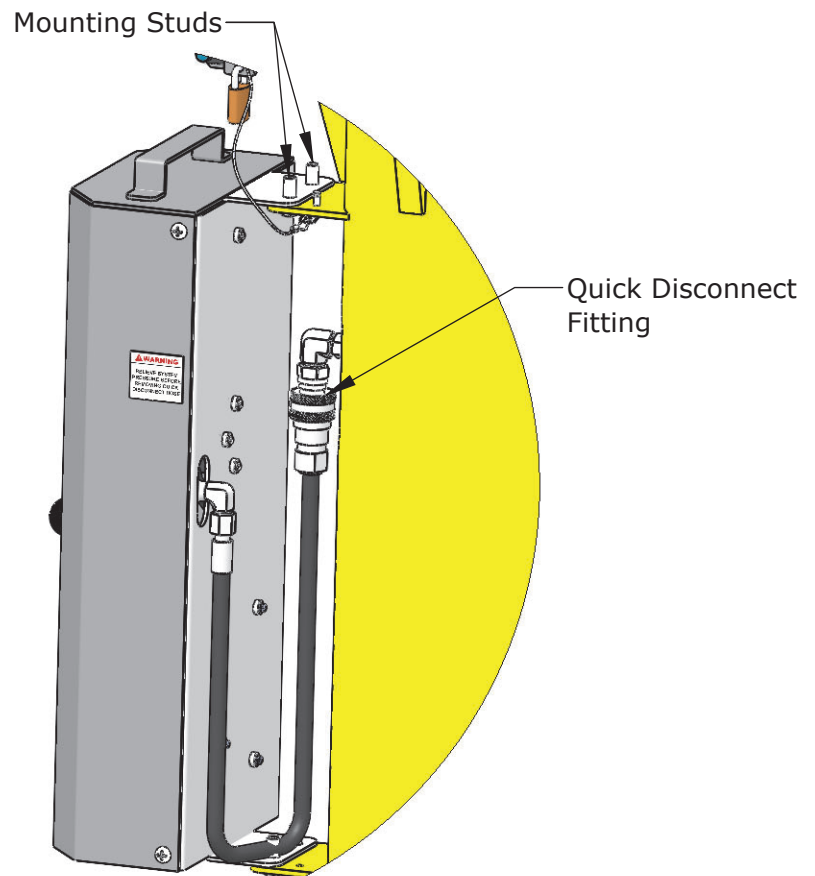
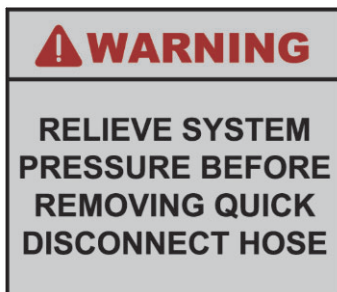
Step 1

Whether in the lowered or raised position, ensure that all pressure is completely relieved from the system before disconnecting the hydraulics. Failure to do will make re-installation very difficult. Regardless of orientation, depress the control valve lever for several seconds to ensure that pressure is relieved, so that goal is fully resting on either the ground or the pull pin.

Step 2

Disengage the quick disconnect hydraulic fitting on the rear of the compartment. Lift compartment off of mounting studs, and store in an upright position.

Note: When in the raised position, all of the hydraulic fluid will be in the cylinder, with very little present in the tank. Do not check fluid levels at this time, and do not add fluid when in the raised position. Doing so will lead to extensive spill and possible component failure when attempting to lower the goal thereafter. Always check fluid level when the goal is in the lowered orientation. Goal uses AW-46 hydraulic fluid. Tank should be filled to full when adding hydraulic fluid.



TITLE:

Gooseneck Hinged
Operation Instructions

DWG NO:

ID-00167

SHEET 2 OF 2